

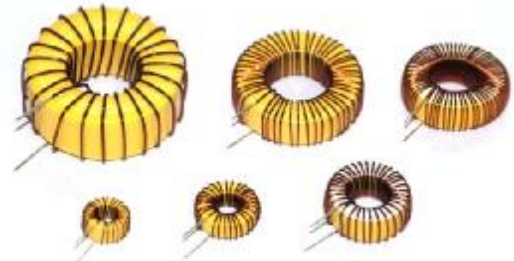


ENGLISH

Datasheet

Stock No:

RS Pro



Product Description: Power Inductors

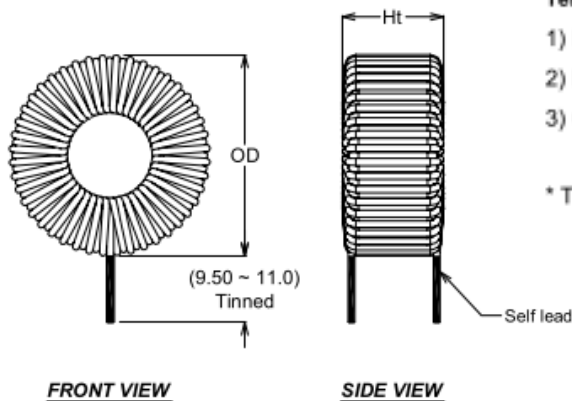
Schematic:



Electrical & Mechanical Specifications

RS Stock Code	Electrical Specifications @25°C					Mechanical Dimensions	
	I _{bc} in Amps	Inductance @ Rated Current L in μ H (Typ)	No Load Inductance (L ₀) in μ H \pm 15%	DCR in m Ω (Max.)	Min. Energy Storage (μ J)*	Coil Size (ODxHt) in mm	Self Lead ϕ in mm
1048414	0.5	100	109	0.140	12.5	14 x 8	0.40
1048415	0.5	220	258	0.215	27.5	15 x 9	0.40
1048416	0.5	330	393	0.265	41.3	15 x 9	0.40
1048417	1.0	33	37	0.052	16.5	14 x 8	0.50
1048418	1.0	47	53	0.063	23.5	14 x 8	0.50
1048419	1.0	100	127	0.097	50	15 x 8	0.50
1048420	1.0	150	207	0.123	75	15 x 9	0.50
1048421	1.0	220	345	0.196	110	15 x 9	0.45
1048422	2.0	22	27	0.070	44	14 x 8	0.40
1048423	2.0	47	73	0.090	94	14 x 8	0.45
1048424	2.0	68	109	0.089	136	15 x 9	0.50
1048425	3.0	22	34	0.050	99	14 x 8	0.50
1048426	0.5	470	557	0.322	58.8	20 x 9	0.40
1048427	1.0	330	491	0.193	165	20 x 9	0.50
1048428	2.0	100	157	0.109	200	20 x 9	0.50
1048430	3.0	33	49	0.038	149	19 x 8	0.63
1048431	3.0	47	75	0.048	212	20 x 8	0.63

RS Stock Code	Electrical Specifications @25°C					Mechanical Dimensions	
	I _{OC} in Amps	Inductance @ Rated Current L in μ H (Typ)	No Load Inductance (L ₀) in μ H \pm 15%	DCR in m Ω (Max.)	Min. Energy Storage (μ J)*	Coil Size (ODxHt) in mm	Self Lead ϕ in mm
1048432	1.0	470	601	0.180	235	27 x 13	0.60
1048433	1.0	1,000	1,619	0.426	500	26 x 13	0.50
1048434	2.0	150	207	0.106	300	25 x 12	0.60
1048435	3.0	68	92	0.060	306	25 x 12	0.63
1048436	3.0	100	157	0.080	458	25 x 12	0.63
1048437	3.0	150	256	0.107	675	25 x 12	0.63
1048438	5.0	33	48	0.036	413	25 x 12	0.71
1048439	5.0	47	82	0.043	588	25 x 12	0.75
1048440	5.0	68	137	0.055	850	26 x 12	0.75
1048441	3.0	220	346	0.134	990	29 x 13	0.63
1048442	3.0	330	625	0.142	1485	31 x 15	0.71
1048443	5.0	100	172	0.059	1250	30 x 14	0.80
1048444	7.5	47	84	0.026	1322	31 x 14	1.00
1048445	3.0	470	727	0.187	2115	42 x 14	0.67
1048446	5.0	150	221	0.094	1875	41 x 13	0.71
1048447	10	68	89	0.042	3400	50 x 21	0.90
1048448	10	100	152	0.044	5000	50 x 21	1.00



Test Frequency:

- 1) Inductance @ Rated current measured @10KHz/0.10Vrms
- 2) No Load Inductance measured @10KHz/0.25Vrms
- 3) Operating Temperature Range -40°C to +125°C

* The μ Joule rating ($0.5 \times LI^2$) is the ability of the Inductor to store energy

Unit : mm Dimension tolerance : ± 0.25 mm (Unless specified)