

The Laird Mini NanoBlade Flex antenna features a flexible printed circuit board that supports WLAN applications. The flexible board can be embedded in space-sensitive applications where a curved housing does not provide a flat surface for antenna mounting. The antennas are specifically designed to be embedded inside devices for aesthetically pleasing integration.

FEATURES AND BENEFITS

- Dual-band frequency coverage
- RoHS Compliant (2011/65/EU)
- Flexible PCB for mounting in curved housing

ELECTRICAL SPECIFICATIONS		
Operating Frequency (MHz)	2400-2500	4900-5875
Gain (dBi)	2.79	3.38
Efficiency (%)	68	59
VSWR	2:1	
Polarization	Vertical, Omnidirectional	
Nominal Impedance (ohms)	50	

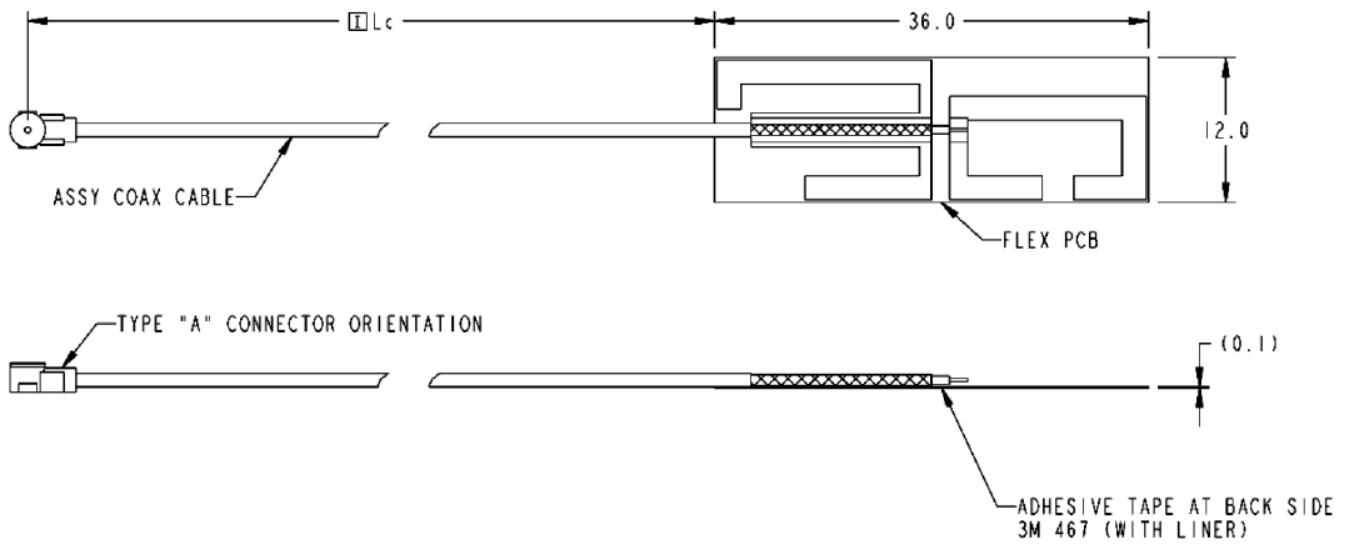
MECHANICAL SPECIFICATIONS	
Dimensions (diameter x height) – mm (in.)	36 x 12 x 0.1 (1.42 x 0.47 x 0.004)
Hazardous Materials Compliance	RoHS Compliant (2011/65/EU)

CONFIGURATION

PART NUMBER	CABLE LENGTH (Length x Diameter)	CONNECTOR	ORIENTATION
MAF95310	185 mm (7.28 in.) x 1.13 mm (0.044 in.)	MHF I	A
EMF2449A1-10UFL	100 mm (3.94 in.) x 1.13 mm (0.044 in.)	MHF I	A

Note: This antenna is available in many connector and cable configurations. Contact us at 1-847-839-6925 or sales@lairdconnect.com for more information.

MECHANICAL DRAWING

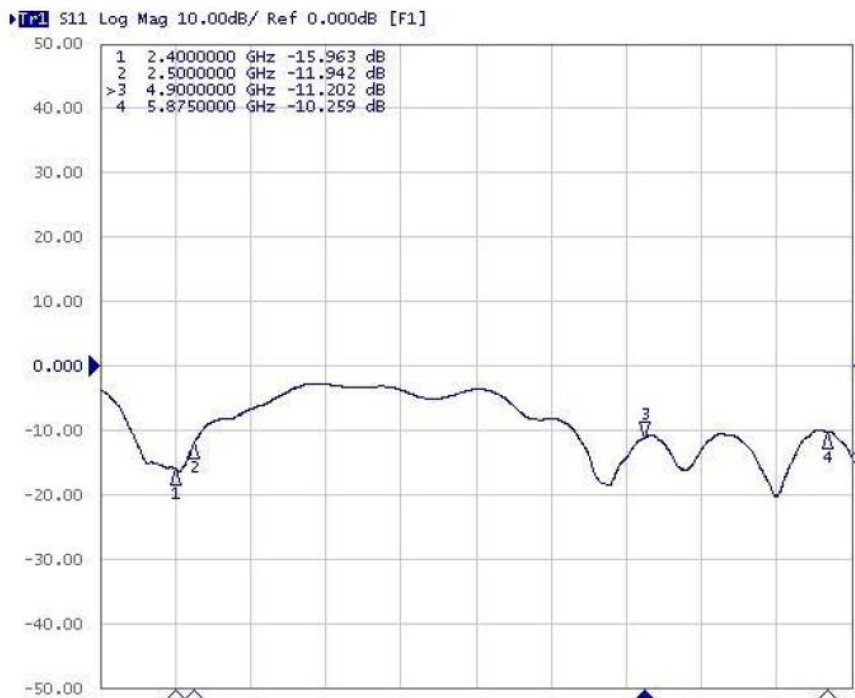


	A
	B
	C
	D

TYPE OF CONNECTOR ORIENTATION (REFER TABLE. I)

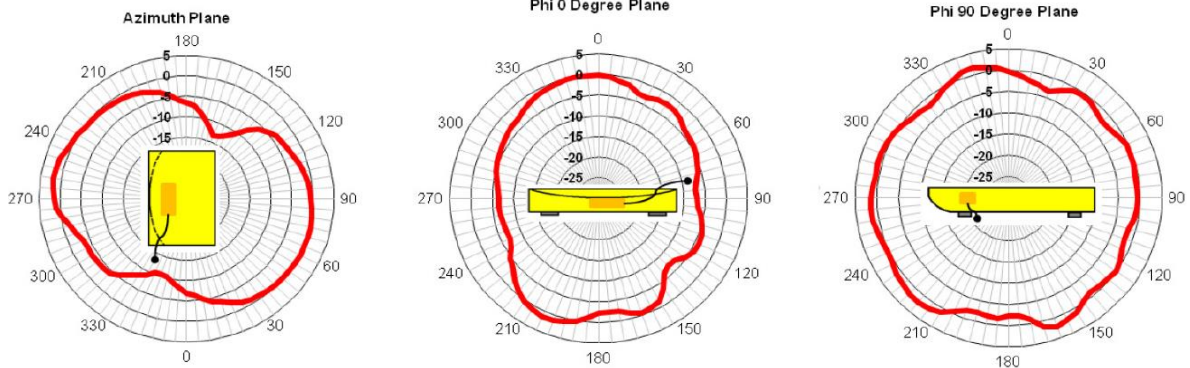
TABLE. I

RETURN LOSS

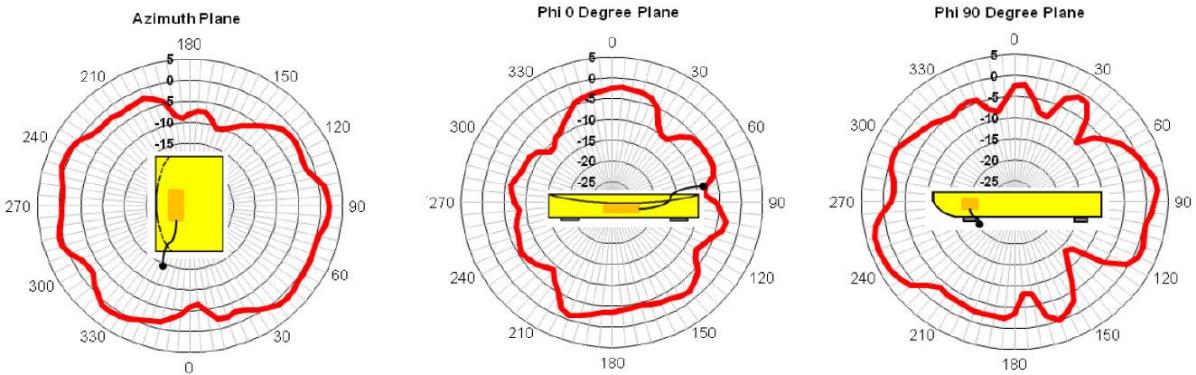


RADIATION PATTERNS

2450 MHz



5470 MHz



✓RoHS

Laird Connectivity warrants to the original end user customer of its products that its products are free from defects in material and workmanship. Subject to conditions and limitations Laird Connectivity will, at its option, either repair or replace any part of its products that prove defective because of improper workmanship or materials. This limited warranty is in force for the useful lifetime of the original end product into which the Laird Connectivity product is installed. Useful lifetime of the original end product may vary but is not to exceed five (5) years from the original date of the end product purchase.

Any information furnished by Laird Connectivity and its agents is believed to be accurate and reliable. All specifications are subject to change without notice. Responsibility for the use and application of Laird Connectivity materials rests with the end user, since Laird Connectivity and its agents cannot be aware of all potential uses. Laird Connectivity makes no warranties as to the fitness, merchantability or suitability of any Laird Connectivity materials or products for any specific or general uses. Laird Connectivity shall not be liable for incidental or consequential damages of any kind. All Laird Connectivity products are sold pursuant to the Laird Connectivity Terms and Conditions of sale in effect from time to time, a copy of which will be furnished upon request.

© Copyright 2019 Laird Connectivity All Rights Reserved. Laird Connectivity, the Laird Connectivity logo, and other marks are trademarks or registered trademarks of Laird Connectivity or an affiliate company thereof. Other product or service names may be the property of third parties. Nothing herein provides a license under any Laird or any third-party intellectual property rights.

sales@lairdconnect.com
support@lairdconnect.com
www.lairdconnect.com

