

## Datasheet

# Slow Blow Square Ceramic Surface Mount Fuse, 1-5A

## RS Pro



## Specifications:

### Materials

Tube (Body): Non-Transparent ceramic tube fuse. No breaking or deformation is allowed.  
Two brass end caps: Made of brass of good conductivity.(Silver Plating)  
Copper Alloy: Fuse element.

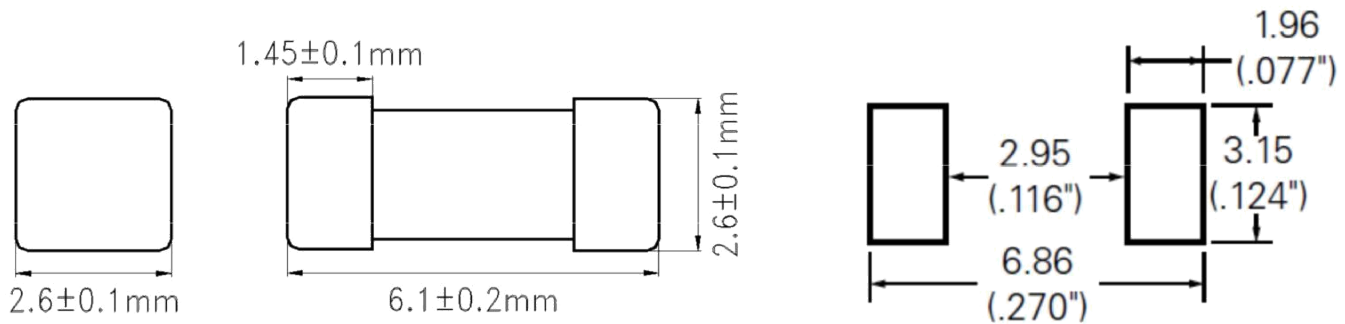
## Interrupting Ratings

50 A at 125V AC / DC  
300 A at 32V DC

## Operating Temperature

-55°C to +125°C

**Drawing (mm):**



**Electrical Characteristic:**

Rating	100% Rating		200% Rating		300% Rating		800% Rating	
	Min.	Max.	Min.	Max.	Min.	Max.	Min.	Max.
<b>200mA~7A</b>	4 Hrs		1 sec	60 sec	0.2 sec	3 sec	0.02sec	0.1 sec

		Nominal Resistance	
		Cold Ohms	
1	A0	0.0763 - 0.1417	
1.5	A	0.0377 - 0.0699	
2	A0	0.0373 - 0.0693	
2.5	A	0.0201 - 0.0373	
3	A0	0.0160 - 0.0296	
3.15	A	0.0157 - 0.0291	
3.5	A	0.0144 - 0.0267	
4	A	0.0098 - 0.0182	
5	A	0.0091 - 0.0169	
6	A	0.0063 - 0.0117	
7	A	0.0056 - 0.0104	

**Reference:**

<b>Stock No</b>	<b>Rating amperes</b>
1748003	1A 125V
1748008	1.5A 125V
1748004	2A 125V
1748009	2.5A 125V
1748005	3A 125V
1748010	3.5A 125V
1748006	4A 125V
1748007	5A 125V