

## Features

- Panel neon indicators
- 200-250VAC
- 11x30mm cutout
- Green, Red, Amber/Orange

## RS PRO Indicators

RS Stock No.: 1917787, 1917788, 1917789






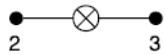
RS PRO is the own brand of RS. The RS PRO Seal of Approval is your assurance of professional quality, a guarantee that every part is rigorously tested, inspected, and audited against demanding standards. Making RS PRO the Smart Choice for our customers.

### Product Description

*High quality panel mount neon indicators, manufactured in Europe.*

- *Panel indicator lights are widely used to provide visual feedback to users and operators.*
- *Applications include industrial machinery and control panels, household appliances and electronic equipment*
- *These neon indicators are designed for use alongside rocker switch products, RS codes 7932493, 7932487, 9143585, 7932490, 9143588*

### General Specifications

	1917787	1917788	1917789
RS Codes			
Light Output Colour	Green	Red	Amber/Orange
Lamp Type	Neon		
Termination Type	6.3 x 0.8mm		
Type	Panel Mount		
Bezel Colour	Black		
Type Of Illumination	Fixed Light		
Function			

### Electrical Specifications

Voltage Rating	200-250VAC
Weight	6g

## Mechanical Specifications

Mounting Hole Size	11x30mm
Shape	Rectangle
Housing	PA66
Lens	PC
Terminals	Copper alloy

## Operation Environment Specifications

Temperature Rating	T120°C – Standard CEI IEC EN 60335-1 (applicable chapters)
	T65°C – Standard UL 496 CSA C22.2 N°55
GWT (Glow wire test)	850°C

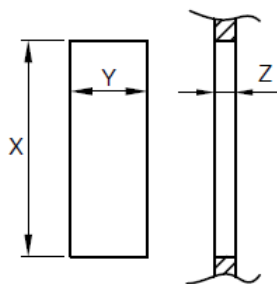
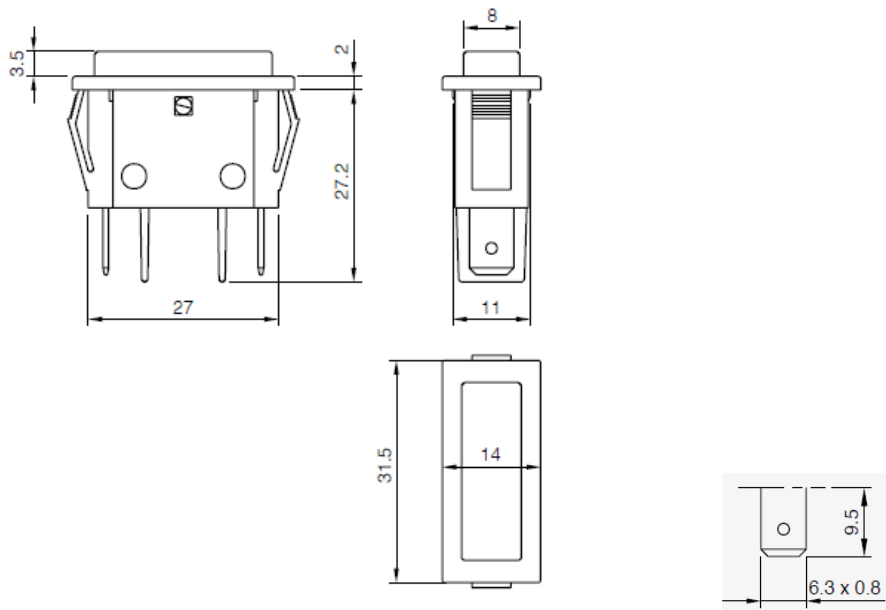
## Protection Category

IP Rating	IP40
-----------	------

## Classification

Compliance/Certifications	UL, CE, UKCA
---------------------------	--------------

## CONSTRUCTIONAL DIAGRAM



Z	Y	X
0,75 ... 1,25	11,0 $\begin{matrix} +0,2 \\ 0 \end{matrix}$	30,0 $\begin{matrix} 0 \\ -0,1 \end{matrix}$
1,25 ... 2,0	11,0 $\begin{matrix} +0,2 \\ 0 \end{matrix}$	30,2 $\begin{matrix} 0 \\ -0,1 \end{matrix}$
2,0 ... 3,0	11,0 $\begin{matrix} +0,2 \\ 0 \end{matrix}$	30,6 $\begin{matrix} 0 \\ -0,2 \end{matrix}$
3,0 ... 4,0	11,0 $\begin{matrix} +0,2 \\ 0 \end{matrix}$	30,8 $\begin{matrix} 0 \\ -0,2 \end{matrix}$