

# Product datasheet

Specifications



## square red pushbutton Ø 16 - flush spring return - 1OC

Local distributor code:

395512944

XB6ECA41P

EAN Code: 3389110626162

### Main

Range of product	Harmony XB6E
Product or component type	Monolithic push-button
Device short name	XB6E
Bezel material	Plastic
Mounting diameter	16 mm
Sale per indivisible quantity	5
Shape of signaling unit head	Square
Type of operator	spring return
Operator profile	Red flush
Contacts type and composition	1 C/O
Contact operation	Snap action
Connections - terminals	Insulated faston, connection size: 2.8 x 0.5 mm Solder terminal, clamping capacity: <= 0.75 mm <sup>2</sup> AWG 19 Fast connector socket
Contacts material	Gold-flashed silver

### Complementary

Net weight	0.006 kg
Overvoltage category	II conforming to IEC 60536
Operating position	Any position
Marking	CE
Mechanical durability	1000000 cycles
Tightening torque	0.6...1 N.m
Contact resistance	50 mOhm at 1/6 V
Short-circuit protection	2 A cartridge fuse type gG
[Ith] conventional free air thermal current	3 A (fast connector socket) 5 A
[Ie] rated operational current	1.5 A at 120 V, AC-12 conforming to IEC 60947-5-1 1 A at 240 V, AC-12 conforming to IEC 60947-5-1 0.7 A at 240 V, AC-13 conforming to IEC 60947-5-1 1 A at 120 V, AC-13 conforming to IEC 60947-5-1 1 A at 24 V, DC-12 conforming to IEC 60947-5-1 0.7 A at 24 V, DC-13 conforming to IEC 60947-5-1 0.2 A at 125 V, DC-12 conforming to IEC 60947-5-1 0.15 A at 125 V, DC-13 conforming to IEC 60947-5-1
Electrical durability	100000 cycles, AC, 0.7 A at 220 V conforming to IEC 60947-5-1 appendix C

## Environment

Ambient air temperature for storage	-40...70 °C
Ambient air temperature for operation	-10...55 °C
IP degree of protection	IP65 conforming to IEC 60529
Standards	UL 508 JIS C 852 CSA C22.2 No 14 IEC 60947-1 IEC 60947-5-1 JIS C 4520
Product certifications	CCC cURus
Vibration resistance	1 mm (f= 10...55 Hz) conforming to IEC 60068-2-6
Shock resistance	10 gn (duration = 11 ms) for half sine wave acceleration conforming to IEC 60068-2-27

## Packing Units

Unit Type of Package 1	PCE
Number of Units in Package 1	1
Package 1 Height	2.500 cm
Package 1 Width	3.800 cm
Package 1 Length	9.800 cm
Package 1 Weight	11.000 g
Unit Type of Package 2	BB1
Number of Units in Package 2	5
Package 2 Height	2.500 cm
Package 2 Width	9.500 cm
Package 2 Length	19.500 cm
Package 2 Weight	55.000 g
Unit Type of Package 3	S01
Number of Units in Package 3	50
Package 3 Height	15.000 cm
Package 3 Width	15.000 cm
Package 3 Length	40.000 cm
Package 3 Weight	792.000 g

## Logistical informations

Country of origin	CN
-------------------	----

## Contractual warranty

Warranty (in months)	18
----------------------	----


## Environmental Data

Schneider Electric aims to achieve Net Zero status by 2050 through supply chain partnerships, lower impact materials, and circularity via our ongoing “Use Better, Use Longer, Use Again” campaign to extend product lifetimes and recyclability.



[Environmental Data explained >](#)

[How we assess product sustainability >](#)

### Use Better

 <b>Materials and Substances</b>	
Packaging made with recycled cardboard	Yes
Packaging without single use plastic	No
<a href="#">EU RoHS Directive</a>	Pro-active compliance (Product out of EU RoHS legal scope)
REACH Regulation	<a href="#">REACH Declaration</a>

### Use Again

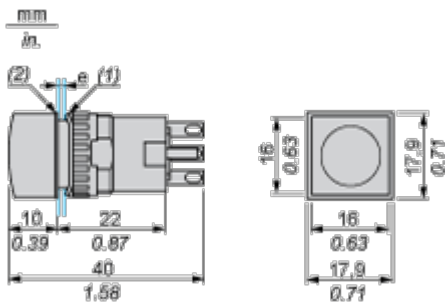
 <b>Repack and remanufacture</b>	
Take-back	No
WEEE Label	 The product must be disposed on European Union markets following specific waste collection and never end up in rubbish bins

Dimensions Drawings

Pushbutton

---

Square Head



- (1) Anti-rotation plate (thickness: 0.6 mm / 0.02 in.)
- (2) Seal (thickness: 0.5 mm / 0.01 in.)
- e panel thickness: 0.5 mm (0.01 in.) ≤ e ≤ 6 mm (0.24 in.)

Mounting and Clearance

Panel Cut-Out and Mounting

---

Circular or Square Head

