

Datasheet

Clear Cap Tactile Switch

RS Stock number 734-7371



Specifications:

Mechanical Life: 1,000, 000 cycles

Contact Resistance: 100m Ω max. (initial)

Insulation Resistance: 1000M Ω min.

Dielectric Strength: 1,000VAC

MATERIALS

Switch Housing: PBT

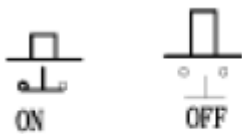
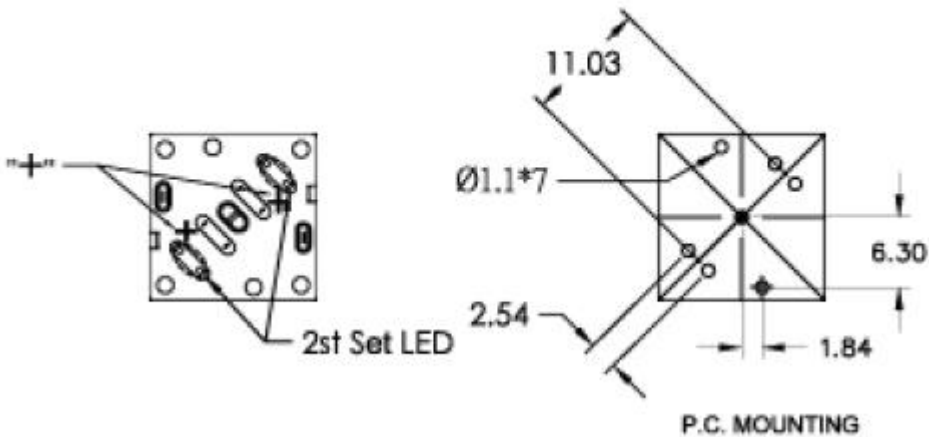
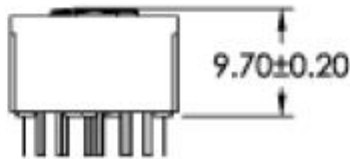
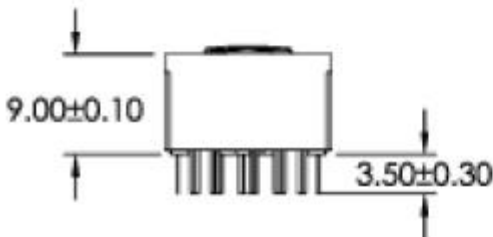
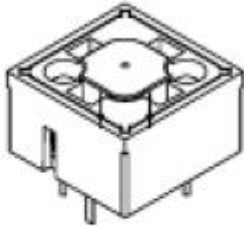
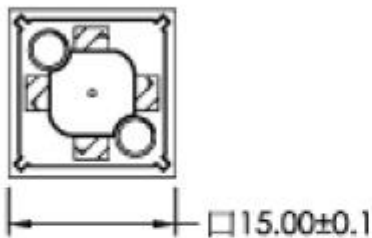
Transparent: PC

Contact: Stainless, Au version NI plated

Terminals: Brass, Au version NI plated

Terminal Seal: Epoxy

Dimensions – inch
mm



SCHEMATIC