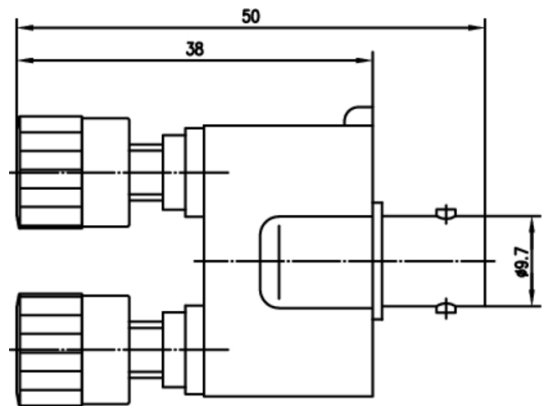
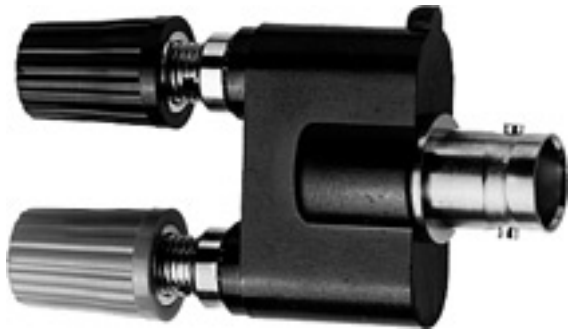


order number: J01008A0621

BNC-Binding post-Test Accessories



Technical Attributes	
Remarks	BNC-Binding post; contact pin diameter 4 mm
Z	Ω
Series	
Finish	
Mount. dim.	

Product description

The following cable assemblies show only a small portion of our range. We assemble all popular RF-cables with our connectors. Where crimp connectors are used, the cable assemblies are fitted with strain reliefs or shrink-sleeving. Any required length can be supplied.

Note

Customized cable assemblies on request.