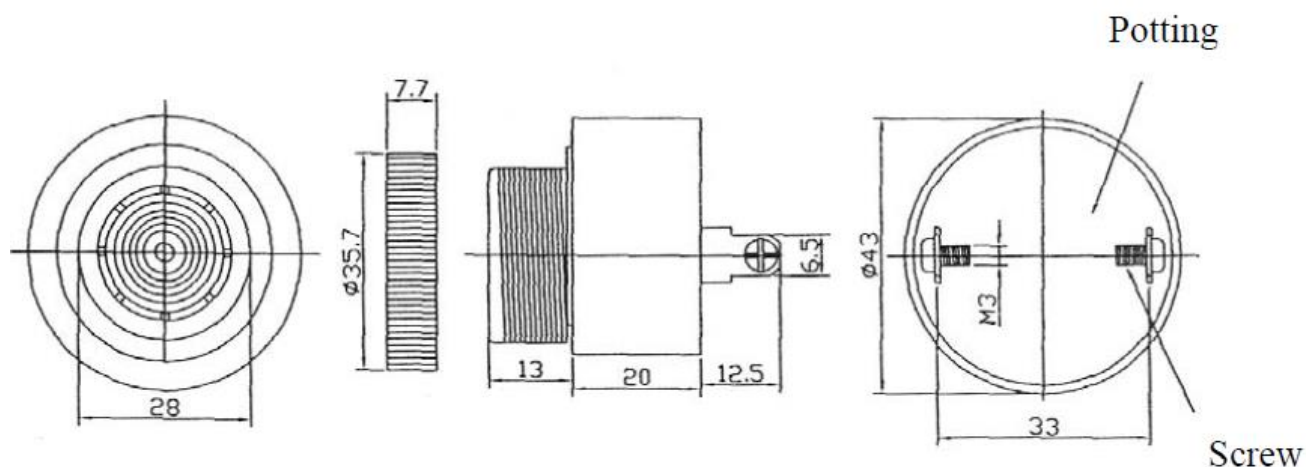


Datasheet

Piezo Buzzer Panel Mount

RS Stock number [724-3172](#)

Dimensions(mm):



SPECIFICATIONS	ABI-024-RC – Piezo Ceramic Indicator
Operating Voltage	4 ~ 28VDC
Rated Current at rated voltage	8mA at 12VDC
Sound Output at 30cm, at rated voltage	≥ 97 dB at 12VDC
Resonant Frequency	2800 \pm 500Hz
Tone	Continuous
Operating Temperature	-20 ~ +60°C
Storage Temperature	-30 ~ +70°C
Weight	43g

Features:

- Colour: Black
- Housing Material: ABS
- Panel Mounted

All data at 25°C unless otherwise specified.