



➔ **Product Type**
Miniature Rocker Switches

➔ **Product Series**
RSC-Series: Super Curvette

The RSC-Series Super Curvette single pole rocker switches are aesthetically pleasing miniature snap-in switches similar to the Curvette R-Series, but offering higher electrical ratings with up to 125 amp peak inrush capability. Due to the patented mounting ear design, they are compatible with a wide range of standard panel cutouts. These switches offer maintained single throw or double throw circuits. They are available in a range of terminations, and legend options. They also come in a variety of rocker colors and styles, including our unique curved two-color molded Visi-Rocker for low cost "ON" indication. They have a rated life of 50M cycles @ rated load.

Certifications	UL CSA
Number of Poles	1 pole

Ratings	15A 250VAC 20A 125VAC 3/4HP 125-250VAC 6(6)A 250VAC 50E3 T85
	15A 250VAC 20A 125VAC 6(6)A 250VAC 50E3 T85
	15A 250VAC 20A 125VAC 3/4HP 125-250VAC
	15A 250VAC 20A 125VAC
Dielectric Strength	1,000 V RMS (minimum)
Insulation Resistance	100 megohms (minimum)
Base Material	Nylon
Actuator Style	Solid Color Curvette Rocker Two Color Visi-Rocker
Actuator Material	Polyester or Nylon
Terminal Options	.250 QC Tabs Solder Lugs
Mounting Method	Snap-In
Mounting Hole Dimensions	.480" x 1.072"; 12.19mm x 27.23mm
Value Added	Custom colors and legends available Additional ratings available Wire leads with connectors

Curvette R/RSC-Series Single Pole Rocker and Paddle Switches



Since its introduction, the Curvette switch has become the barometer for versatility and performance in the miniature switch market. Self cleaning contacts, International approvals, along with a wide variety of circuits, ratings, and actuator options makes the Curvette the switch of choice for many markets including Appliance, HVAC, Office Lighting, Transportation, Commercial Food and Lawn and Garden.

Dielectric Strength

UL/CSA:

1000V - live to dead metal parts

VDE:

4000V - live to dead metal parts;

750V - across open contacts

Electrical Life

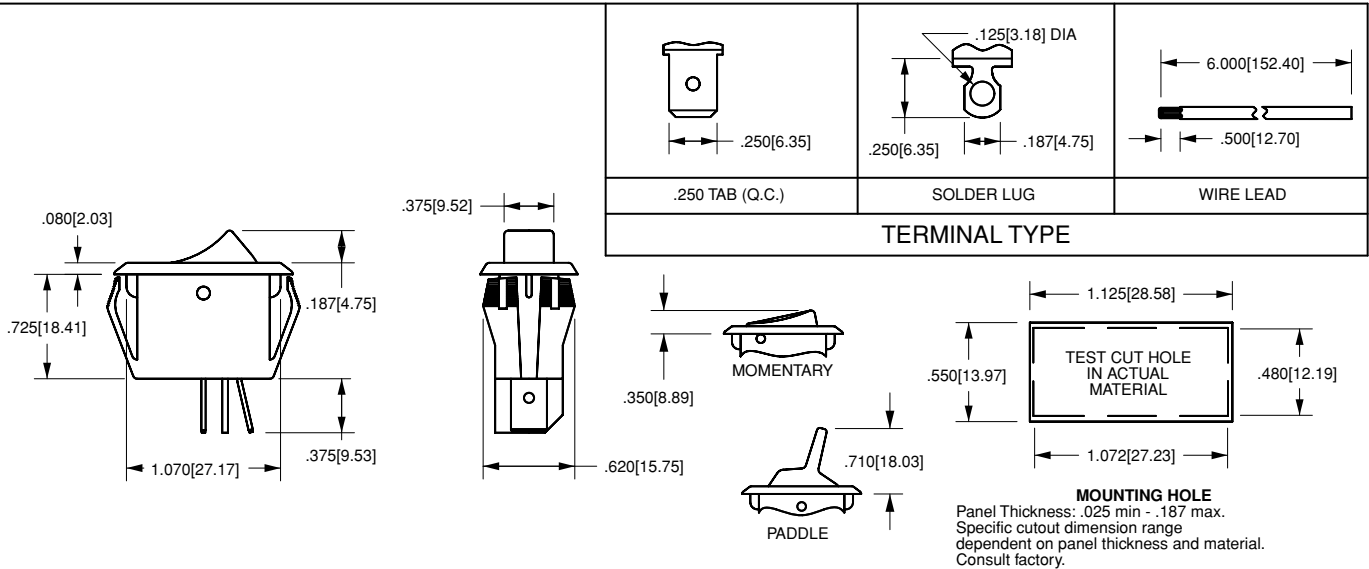
100,000 cycles

Mechanical Life

100,000 cycles

Operating Temperature

32°F to 185°F (0°C to 85°C)



RA901 - V B - B - 9 - V

1 Base Part Number 2 Actuator Style 3 Actuator Color 4 Bezel Color/Style 5 Rocker Legend 6 Visi-Rocker End/Legend Color

1 BASE PART NUMBER: SERIES/CIRCUITRY/RATING/TERMINATION
 10A 250 VAC; 16A 125 VAC; 3/4 HP 125-250 VAC; 10(4) A 250 VACu T85

	Solder Lugs	.250 Tabs	Wire Leads
OFF-NONE-ON	RA900	RA901	RA905
ON-NONE-ON	RB900	RB901	RB905
ON-OFF-ON ³	RC910	RC911	RC915
OFF-NONE-(ON) ²	RD220	RD221	RD225

15A 250 VAC; 20A 125 VAC; 3/4 HP 125-250 VAC

	Solder Lugs	.250 Tabs
OFF-NONE-ON	RSCA200	RSCA201
ON-NONE-ON	RSCB200	RSCB201

5 ROCKER LEGEND

	molded in	hot stamp
NO LEGEND	0	0
OFF-ON vertical	1	A
OFF-ON horizontal	2	B
I-O horizontal	8	D
I-O vertical	9	F
dual OFF-ON I-O	-	H

2 ACTUATOR STYLE

M	momentary rocker	R	rocker
P	paddle	V	visi-rocker (2 color)

3 ACTUATOR COLOR

B	black	W	white
---	-------	---	-------

4 BEZEL COLOR/STYLE

STANDARD		OVAL	
B	black	1	black
W	white	2	white

6 VISI-ROCKER END/LEGEND COLOR

N	n/a
B	black
V	visi-red
W	white

NOTES
 PC Terminals also available, consult factory for details.
 1 For additional ratings, consult factory.
 2 Rating is 8A 250 VAC, 12A 125 VAC, 1/2 HP 125-250 VAC, and must specify M actuator style.
 3 Not rated at 3/4 HP 125-250 VAC
 () indicates momentary function.