

FEATURES

- Precise non-contact measurements
- User selectable °C or °F
- Set Alarm value
- Automatic Data Hold
- Selectable Body and Surface temp
- Memorization of the last 32 measurements

RS PRO RS-8806S Infrared Thermometer, Max Temperature +60°C, ±0.3°C, ±0.3°C, Centigrade, Fahrenheit

RS Stock No.: 201-0210



RS Professionally Approved Products bring to you professional quality parts across all product categories. Our product range has

been tested by engineers and provides a comparable quality to the leading brands without paying a premium price.

Product Description

Introducing the RS PRO medical infrared (IR) thermometer, designed as a handheld device that can detect the body temperature by using a non-contact method of measurement. This instrument can also measure surface temperature of objects using the Surface Temperature function and the non-invasive and non-contact method of temperature measurement removes the issue of having to rely on using a physical contact on the person or surface to get a reading from it, making it ideal for use in environments like hospitals, other medical and healthcare environments and more. This IR laser temperature detector provides fast sampling with high accuracy, making it an incredibly useful and versatile tool across a range of applications.

General Specifications

Model Number	RS-8806S
Temperature Range	30°C to 60°C
Best Accuracy	±0.3°C / 0.5°F @ 32°C to 35.9°C
	±0.2°C / 0.4°F @ 36°C to 39°C
	±0.3°C / 0.5°F @ 39°C to 42.5°C
Display Type	LCD backlit
Distance to Spot Ratio	06:01 / 08:01
Response Time	1 second
Emissivity	Fixed at 0.99
Display resolution	0.1°C (0.1°F)
Hold Temperature Reading	7 Seconds
Temperature Scale	Both - Centigrade / Fahrenheit
Low Battery Indication	Yes
Over range indication	Yes
Auto Power Off	Yes
Applications	HVAC / Medical and healthcare environment / Environmental Testing / Scientific and Educational

Electrical Specifications

Battery Included	Yes
Battery Type	AAA

Mechanical Specifications

Dimensions	128mm x 74mm x 36mm
Length	128mm
Width	74mm
Height	36mm
Weight	125.4g

Environmental Specifications

Operating temperature	10°C to 40°C
Storage temperature	0°C to 50°C
Operating humidity	0% to 85% RH

Approvals

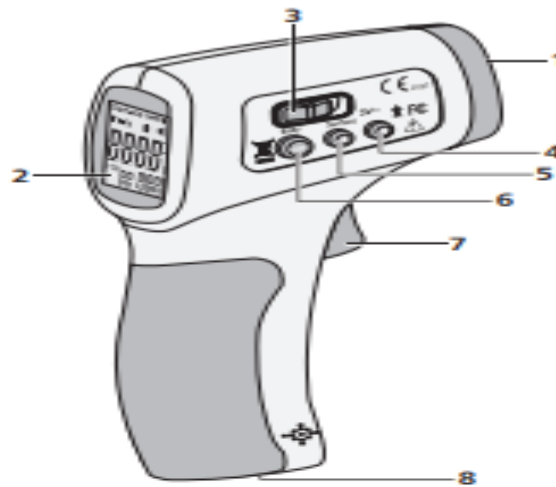
Compliance/Certifications	EN 61340
Declarations	RoHS Certificate of Compliance





4. Configuration

- 1 - Capteur infrarouge.
- 2 - Affichage LCD.
- 3 - Sélection du mode.
(Corps / Surface)
- 4 - Bouton Bas.
- 5 - Bouton Haut.
- 6 - Bouton Mode.
- 7 - Déclencheur de mesure.
- 8 - Capot des piles.



5. Indicateur

- 1 - Symbole mode SURFACE.
- 2 - Symbole mode CORPS.
- 3 - Lecture numérique.
- 4 - Symbole «batterie».
- 5 - Numéro de mesure.
- 6 - Enregistre la mesure affichée.
- 7 - Échelle de température
°C (Celsius) / °F (Fahrenheit).
- 8 - Son activé

