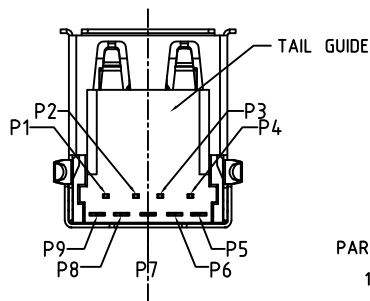


RECOMMENDED PCB LAYOUT
TOP VIEW (THICKNESS:1.6±0.1mm)



PART NUMBER CODE:

10117835-X0XLF

- PLATING OPTION ON CONTACT AREA
 - 1: 30u" (0.76um) Min. gold (Durability:3500)
 - 2: Gold Flash (Durability:1500)
 - 3: 15u" (0.38um) Min. gold (Durability:3000)
- PACKAGE TYPE
 - 0: TRAY
 - T: TAPE & REEL

Notes:

- 1) Materials and Finish
Housing & Tail Guide: Glass fiber filled thermoplastic resin, UL94 V-0 rated, color blue.
Terminals: Copper Alloy, 50u"(1.27um) Min. Ni underplated over all.
Contact area: see table
Tail area: 80u"(2.0um) Min. Matte Tin plated.
Front Shell: Copper Alloy, 50u"(1.27um) Min. Ni plated over all.
Back Shell: Steel, 80u"(2.0um) Min. Ni plated over all.
- 2) Product specification refer to FCI GS-12-0928.
- 3) Package specification refer to GS-14-2157 .
- 4) This product will withstand exposure to 260°C peak temp. for 10 seconds in a wave soldering application with recommended thick circuit board.
- 5) Product meets European Union Directives and other country regulations as described in FCI GS-22-008.
- 6) Recommended PCB hole is finished plating through hole (PTH) size.
- 7) Datum Z,Y and basic dimensions were constructed by customer.

| mat'l. code | | surface | | tolerance | | projection | | product family | | |
|-------------|----------------|------------|------------|---------------------------------------|----------|------------|--------------------------------|-------------------------------|------------------|--|
| | | ASME Y14.5 | | ASME Y14.5 | | | | USB 3.0 | | |
| ltr | ecn no | dr | date | tolerances unless otherwise specified | | | | | | |
| A | - | BF | 01/04/2012 | angles | mm | | | title | | |
| B | ELX-N-012221 | A.ZH | 07/16/2012 | mm | X±0.30 | MM | | USB 3.0 Standard-A Receptacle | | |
| C | ELX-N-17163 | L.O | 03/10/2014 | X°±1° | X.X±0.25 | | | Right Angle Type | | |
| D | ELX-N-17795 | L.O | 05/27/2014 | X.XX±0.20 | scale | | Soldering to Board Termination | | | |
| E | ELX-N-19547 | L.O | 11/21/2014 | dr | BEER FU | 2012-01-04 | | dwg no | | |
| | | | | | | | | sheet 1 of 1 | | |
| | | | | | | | | 10117835 | | |
| | | | | | | | | size A4 | | |
| | | | | | | | type | | CUSTOMER Drawing | |
| sheet index | revision sheet | E | 1 | | | | | | | |