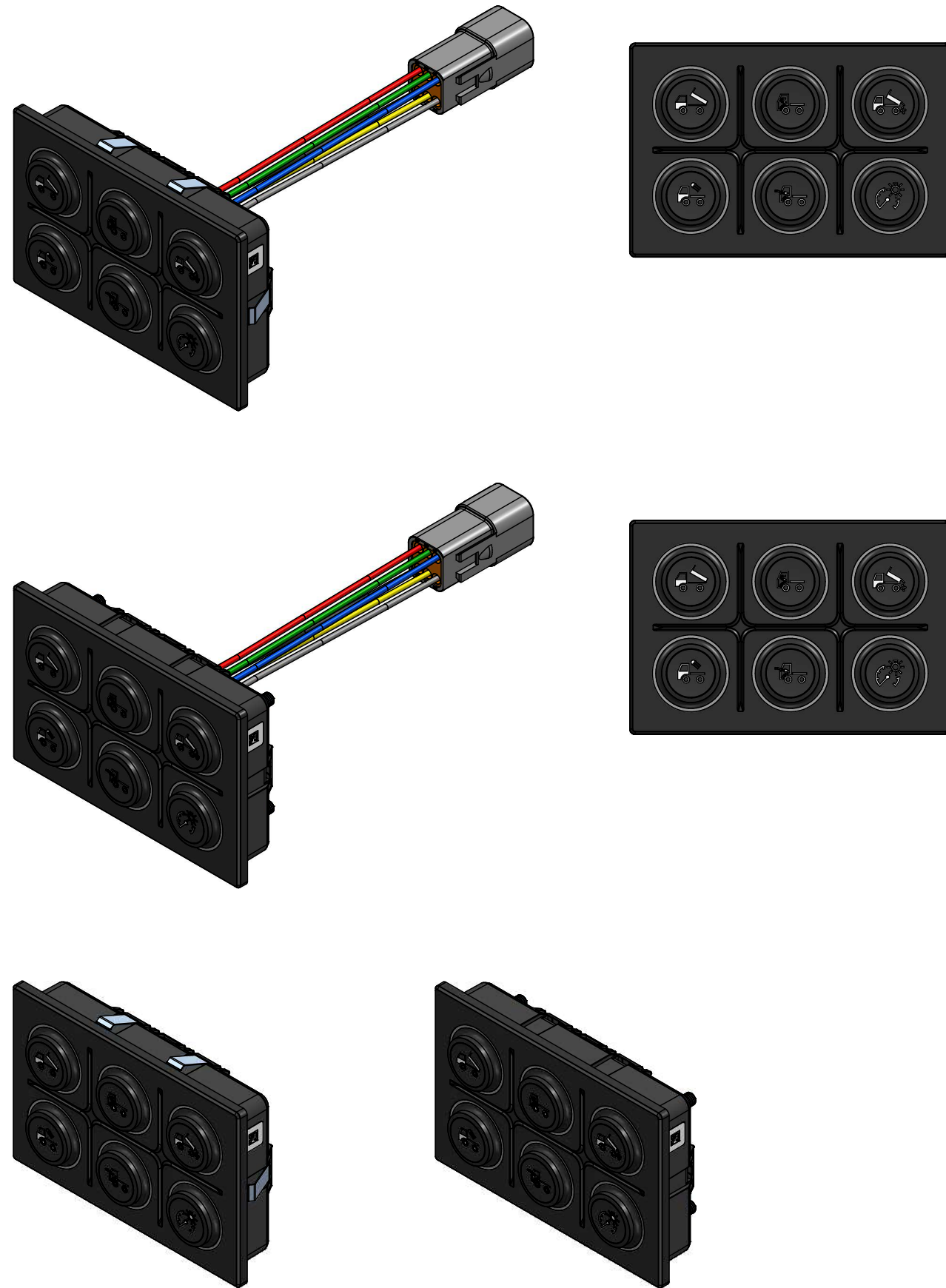


CAN IP67 KEYPADS

revision	zone	date	description		RP - no.
01	-	25.11.2020	initial edition		-
02	-	12.05.2021	drawing revised		918
03	-	14.07.2021	sheet 4 and 5: pos. 8 changed to stainless A4		968
-	-	-	-		-
-	-	-	-		-
-	-	-	-		-



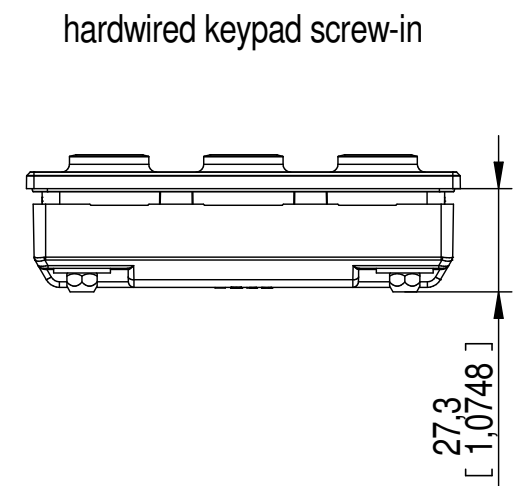
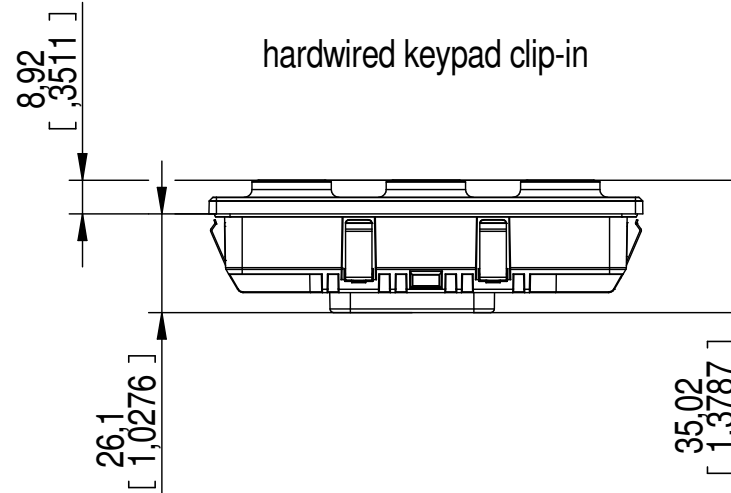
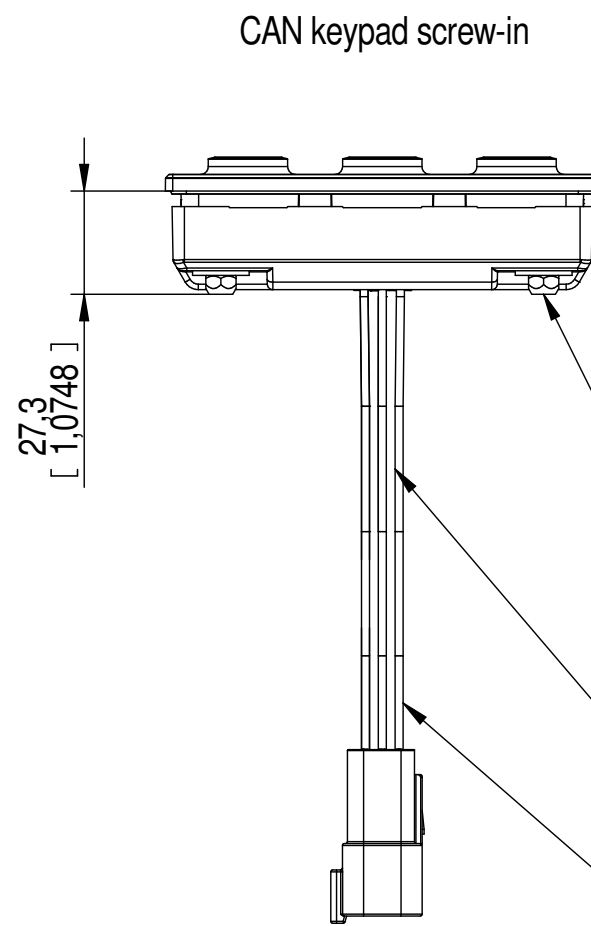
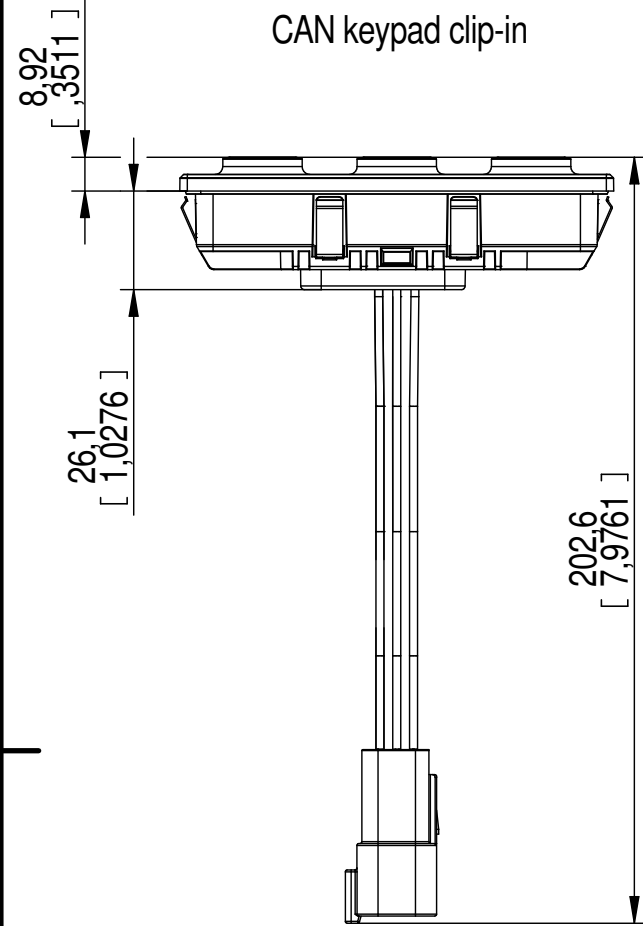
- sheet 1: cover
- sheet 2: product dimensions
- sheet 3: mounting specifications - panel cutout
- sheet 4: mounting specifications - assembly CAN
- sheet 5: mounting specifications - assembly hardwired
- sheet 6: illumination specification
- sheet 7: circuit diagrams - electrical connection
- sheet 8: product labeling

description				S09 CAN IP67 KEYPADS		drawing no.	1707940001	revision	03
 EAO Automotive GmbH & Co. KG Richard-Wagner-Straße 3 08209 Auerbach GERMANY		scale	1:2	format	A 3	weight	S.	document type	
		1st angle projection				product information		status	
all dimensions are in millimeters [inches]		drawn	14.07.2021	name	EBJ	date	16.07.2021	sheet no.	1/8
		approved	16.07.2021	name	SCR				

product dimensions

exemplary representation of the symbols

revision	zone	date	description		RP - no.
01	-	25.11.2020	initial edition		-
02	-	12.05.2021	drawing revised		918
03	-	14.07.2021	sheet 4 and 5: pos. 8 changed to stainless A4		968
-	-	-	-		-
-	-	-	-		-
-	-	-	-		-

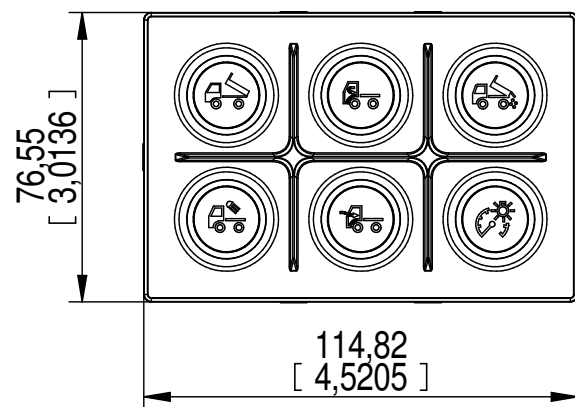


Nuts thread: 4x M5 self-locking nut acc. DIN985

Typical tightening torque: 0,9 Nm
Maximum tightening torque: 1,2 Nm

Minimal bending radius with a single bend: R6 mm
Minimum bending radius with repeated bending (max. 10x): R16 mm

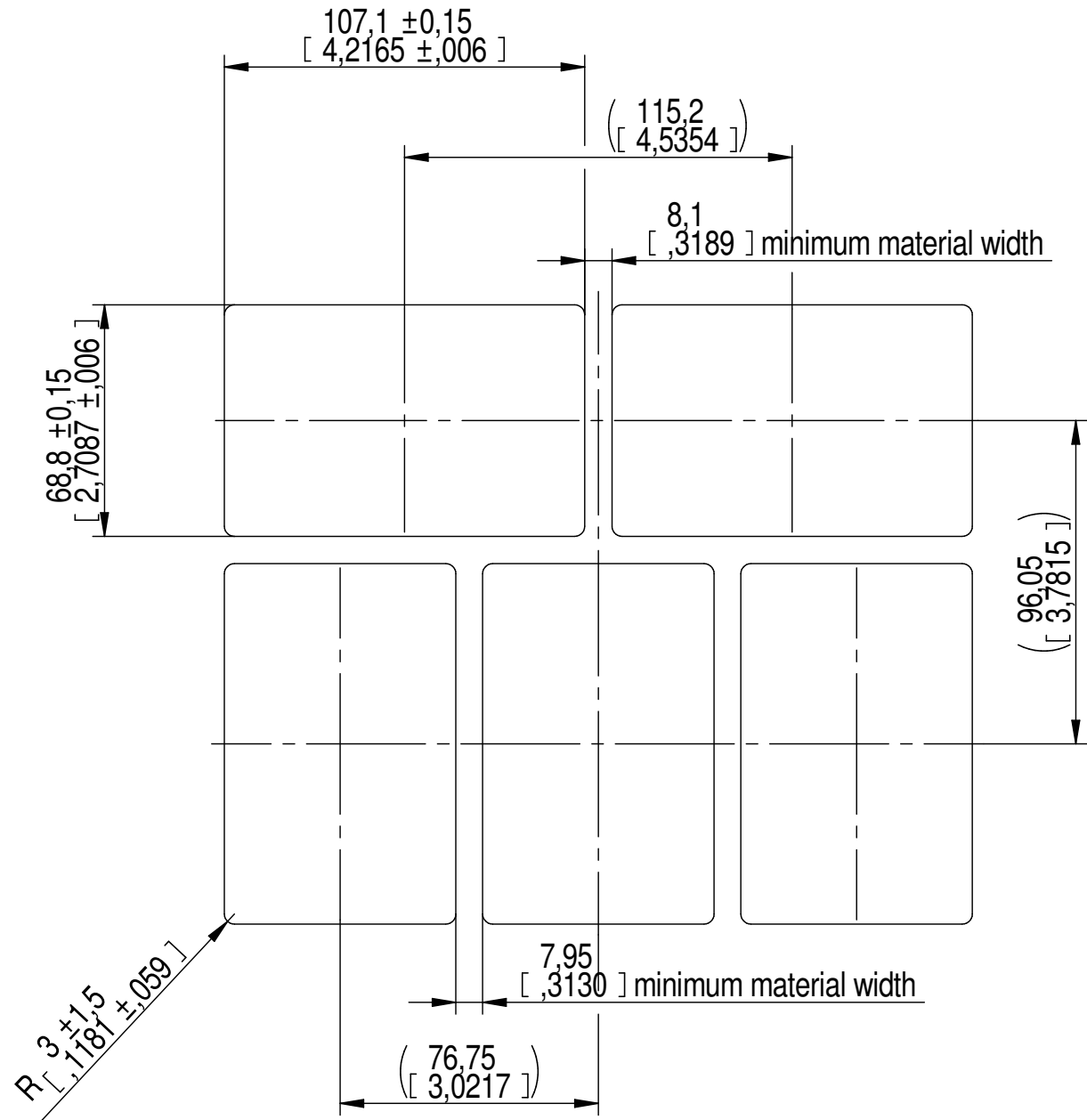
Note: All connection wires are the same length



description				S09 CAN IP67 KEYPADS		drawing no.	1707940001	revision	03
eao		scale	1:2	format	A 3	weight	s.	document type	product information
EAO Automotive GmbH & Co. KG Richard-Wagner-Straße 3 08209 Auerbach GERMANY		1st angle projection		all dimensions are in millimeters [inches]		status		only for information	
						date	14.07.2021	name	EBJ
						approved	16.07.2021	SCR	sheet no.
								2/8	

mounting specifications

Panel cutout
 (panel thickness 1,0 mm [0,0394 inch]; 2,0 mm [0,0787 inch];
 3,0 mm [0,1181 inch]; 4,0 mm [0,1575 inch])

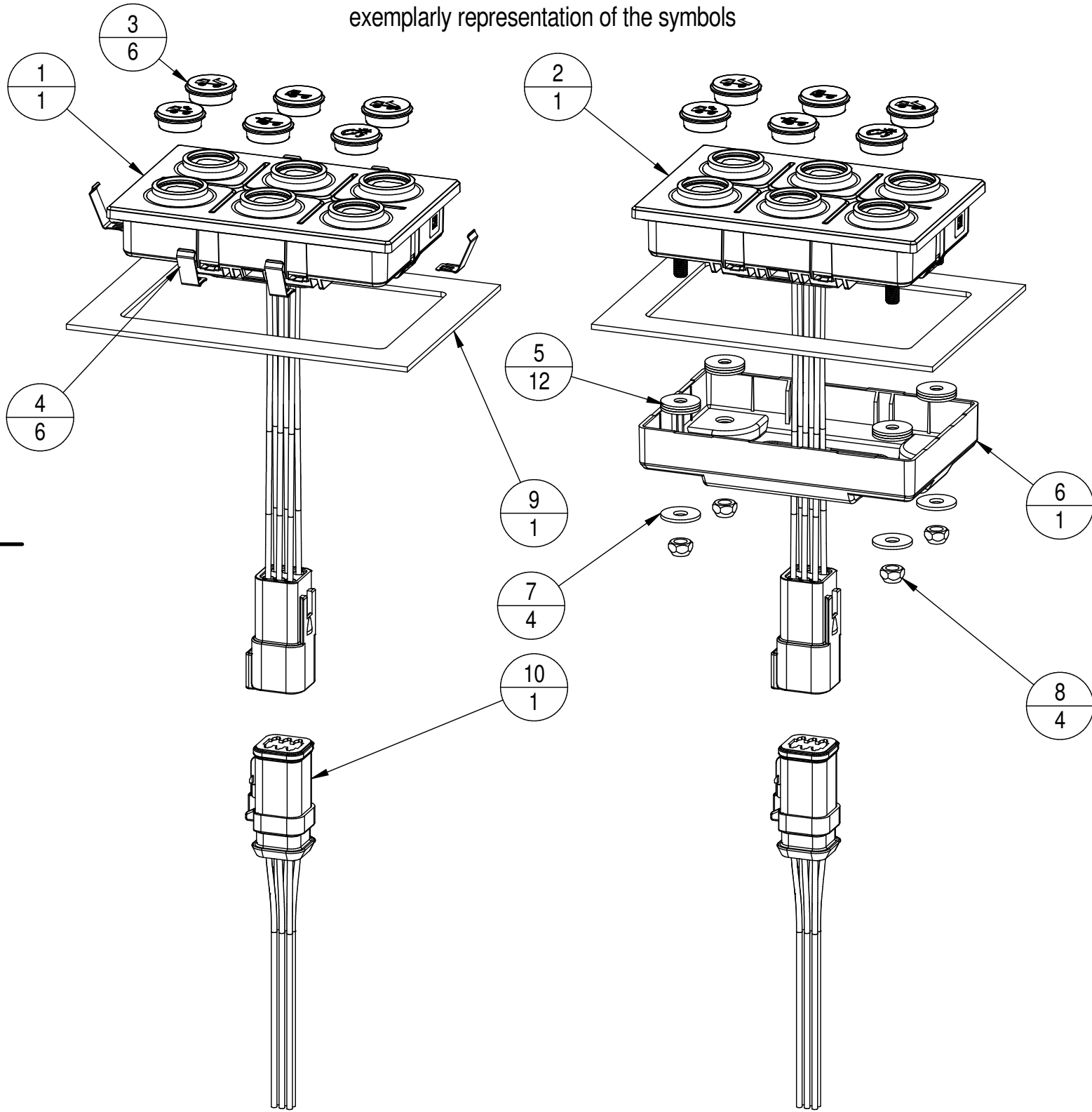


revision	zone	date	description	RP - no.
01	-	25.11.2020	initial edition	-
02	-	12.05.2021	drawing revised	918
03	-	14.07.2021	sheet 4 and 5: pos. 8 changed to stainless A4	968
-	-	-	-	-
-	-	-	-	-
-	-	-	-	-

description				drawing no.		revision	
S09 CAN IP67 KEYPADS				1707940001		03	
eao EAO Automotive GmbH & Co. KG Richard-Wagner-Straße 3 08209 Auerbach GERMANY	scale	format	weight	document type		status	
	1:2	A 3	S. sheet 4+5	product information		only for information	
1st angle projection		all dimensions are in millimeters [inches]		date	name	sheet no.	
				drawn	14.07.2021	EBJ	3/8
				approved	16.07.2021	SCR	

mounting specifications assembly CAN IP67 KEYPADS

exemplary representation of the symbols



mounting and demounting of the symbol inserts with insert tool 09-0A00.0001

revision	zone	date	description	RP - no.
01	-	25.11.2020	initial edition	-
02	-	12.05.2021	drawing revised	918
03	-	14.07.2021	sheet 4 and 5: pos. 8 changed to stainless A4	968
-	-	-	-	-
-	-	-	-	-
-	-	-	-	-

bill of material					
pos.	description	comment	qty	clip-in	screw-in
1	CAN IP67 Keypad clip-in	-	1	x	
2	CAN IP67 Keypad srew-in	-	1		x
3	symbol insert	for further informations see illumination specification	6	x	x
4	retaining clip *		6	x	
5	rubber washer	4,8 x 15 x 1	12 **		x
6	coupler		1		x
7	washer	DIN9021 stainless A2	4		x
8	nut	DIN982 similar to ISO 7040 M5 self-locking stainless A4	4		x
9	panel ***		1	x	x
10	mating plug ***	for further informations see circuit diagrams - electrical connection	1	x	x
*weight				ca. 216 g - 217 g	ca. 263 g - 267 g

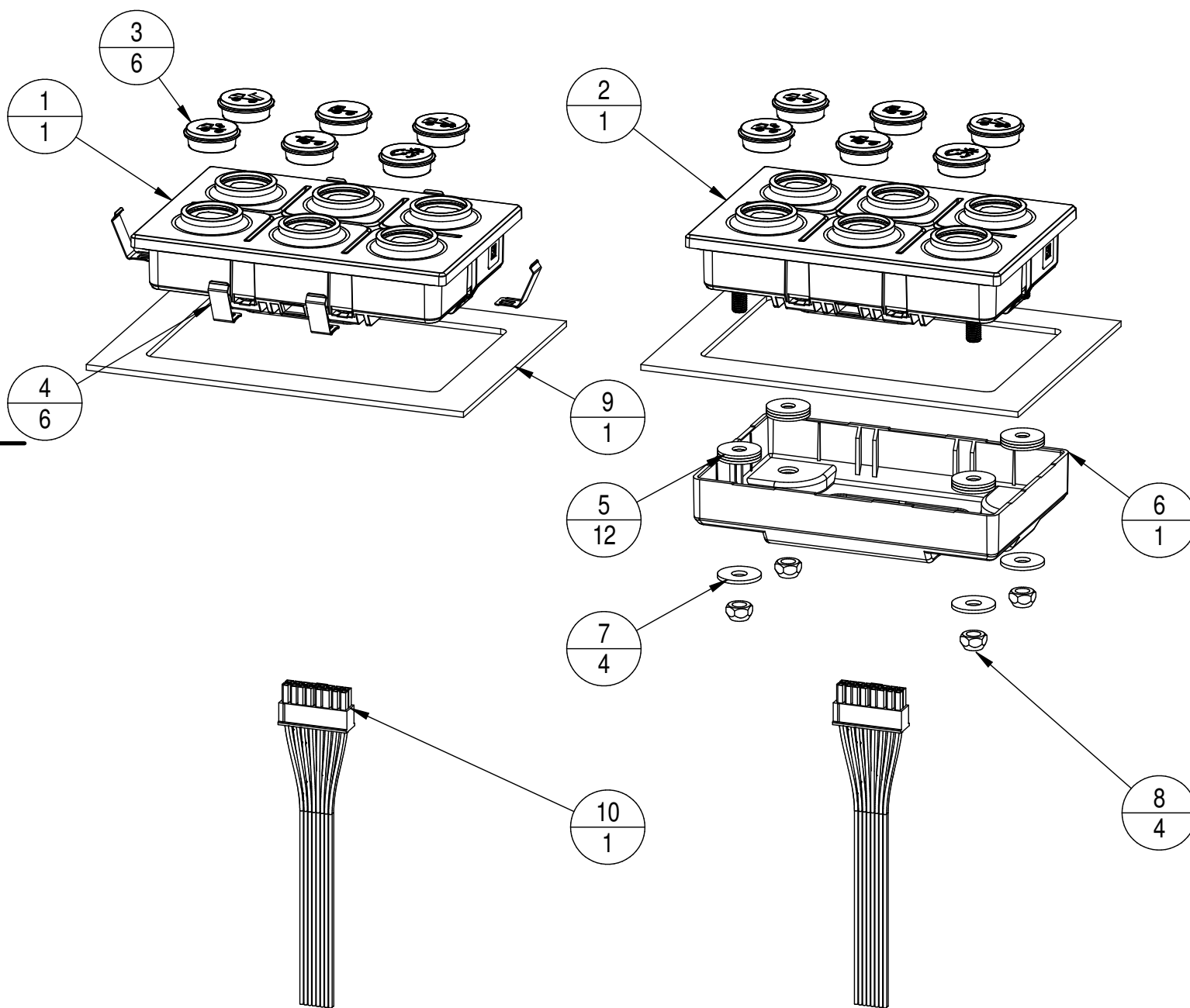
* depending on the panel thickness
 ** quantity depending on the panel thickness (12 rubber washers used for 4 mm panel)
 *** not included

description			S09 CAN IP67 KEYPADS		drawing no.	1707940001	revision	03
 EAO Automotive GmbH & Co. KG Richard-Wagner-Straße 3 08209 Auerbach GERMANY			scale	1:2	format	A 3	weight	S. sheet 4+5
			document type	product information		status		
			1st angle projection		all dimensions are in millimeters [inches]		only for information	
			date	14.07.2021	name	EBJ	sheet no.	
			approved	16.07.2021	SCR	4/8		

© EAO - Automotive GmbH & Co. KG. Strictly confidential. All rights strictly reserved. Reproduction and processing of data in electronic systems or in any form whatever is not permitted without written authority of EAO - Automotive GmbH & Co. KG.

mounting specifications assembly hardwired IP67 KEYPADS

revision	zone	date	description	RP - no.
01	-	25.11.2020	initial edition	-
02	-	12.05.2021	drawing revised	918
03	-	14.07.2021	sheet 4 and 5: pos. 8 changed to stainless A4	968
-	-	-	-	-
-	-	-	-	-
-	-	-	-	-



mounting and demounting of the symbol inserts with insert tool 09-0A00.0001

bill of material

pos.	description	comment	qty	clip-in	screw-in
1	CAN IP67 Keypad clip-in	-	1	x	
2	CAN IP67 Keypad srew-in	-	1		x
3	symbol insert	for further informations see illumination specification	6	x	x
4	retaining clip *		6	x	
5	rubber washer	4,8 x 15 x 1	12 **		x
6	coupler		1		x
7	washer	DIN9021 stainless A2	4		x
8	nut	DIN982 similar to ISO 7040 M5 self-locking stainless A4	4		x
9	panel ***		1	x	x
10	mating plug ***	for further informations see circuit diagrams - electrical connection	1	x	x
*weight				ca. 164 g - 165 g	ca. 211 g - 215 g

* depending on the panel thickness

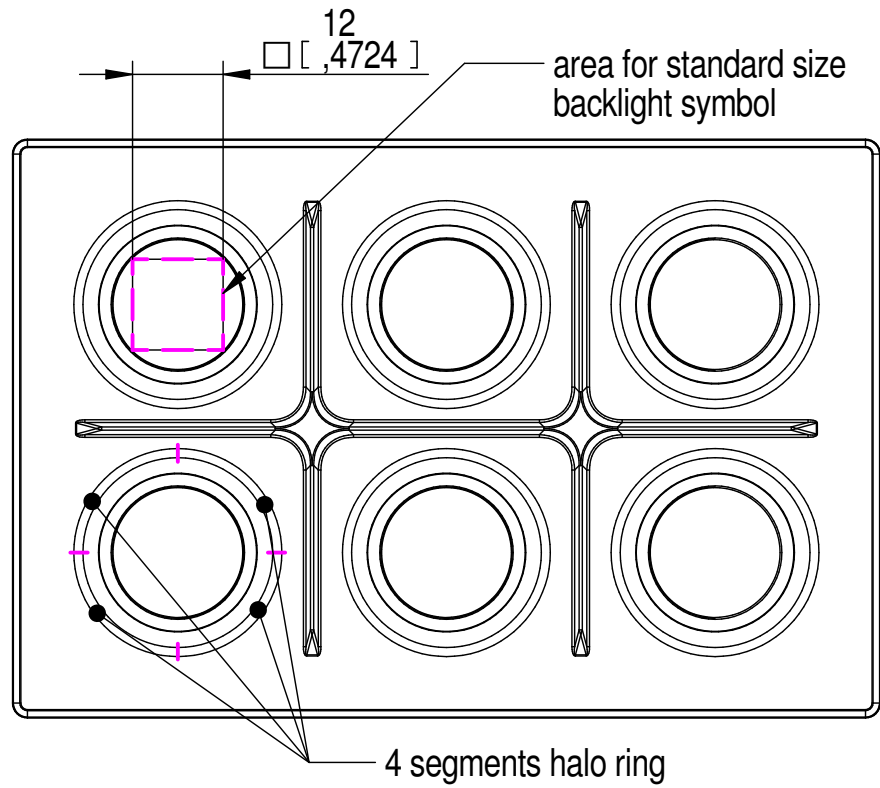
** quantity depending on the panel thickness (12 rubber washers used for 4 mm panel)

*** not included

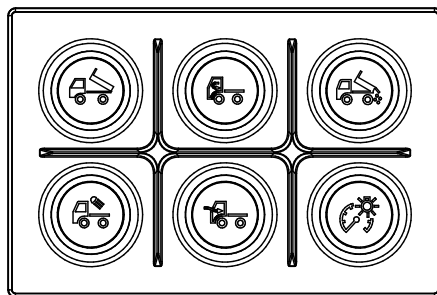
description				drawing no.		revision	
S09 CAN IP67 KEYPADS				1707940001		03	
eao EAO Automotive GmbH & Co. KG Richard-Wagner-Straße 3 08209 Auerbach GERMANY	scale	format	weight	document type		status	
	1:1	A 3	S. sheet 4+5	product information		only for information	
1st angle projection			all dimensions are in millimeters [inches]		date	name	sheet no.
					14.07.2021	EBJ	5/8
					approved	16.07.2021	SCR

illumination specification

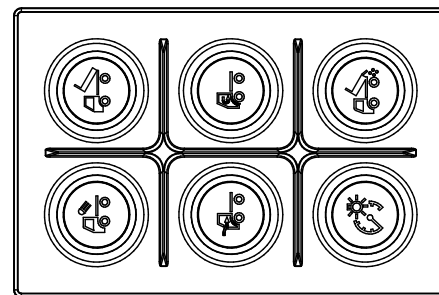
exemplary representation of the symbols



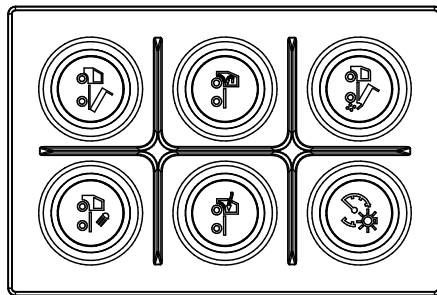
mounting options symbol inserts (1:2)



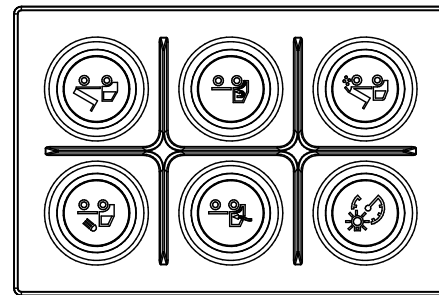
symbol orientation 0°



symbol orientation 90°




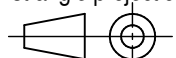
symbol orientation 270°



symbol orientation 180°

mounting and demounting of the symbol inserts with insert tool 09-0A00.0001

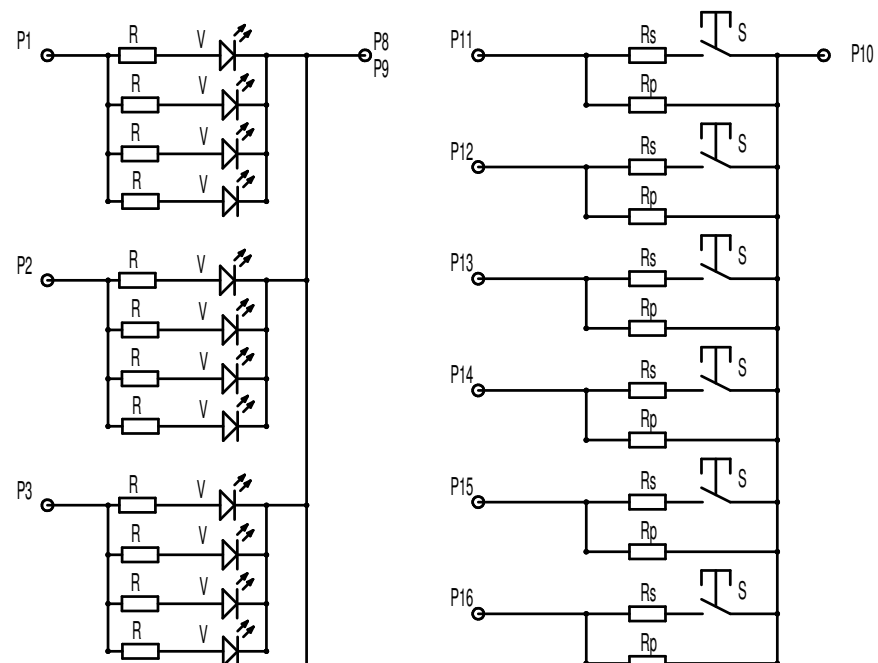
revision	zone	date	description		RP - no.
01	-	25.11.2020	initial edition		-
02	-	12.05.2021	drawing revised		918
03	-	14.07.2021	sheet 4 and 5: pos. 8 changed to stainless A4		968
-	-	-	-		-
-	-	-	-		-
-	-	-	-		-

description				S09 CAN IP67 KEYPADS		drawing no.	1707940001	revision	03						
eao 				scale	1:1	format	A 3	weight	S. sheet 4+5	document type	product information	status			only for information
EAO Automotive GmbH & Co. KG Richard-Wagner-Straße 3 08209 Auerbach GERMANY				1st angle projection		all dimensions are in millimeters [inches]			date	14.07.2021	name	EBJ	sheet no.	6/8	
									approved	16.07.2021	SCR				

circuit diagrams - electrical connection

revision	zone	date	description	RP - no.
01	-	25.11.2020	initial edition	-
02	-	12.05.2021	drawing revised	918
03	-	14.07.2021	sheet 4 and 5: pos. 8 changed to stainless A4	968
-	-	-	-	-
-	-	-	-	-
-	-	-	-	-

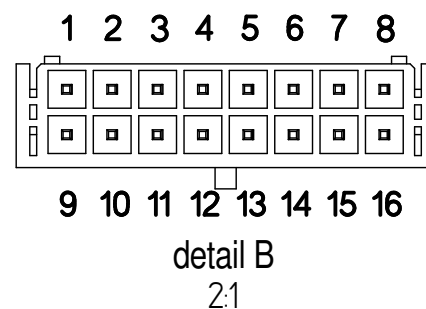
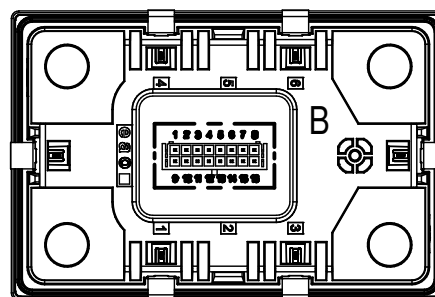
circuit diagramm IP67 keypad 6PB hardwired



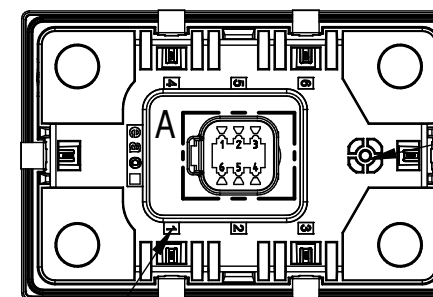
variants with NAMUR
 Rs = 120 Ω
 Rp = 1 kΩ
 customer specific values on request

variants without NAMUR
 Rs = 0 Ω
 Rp = not placed

hardwired IP67 keypads

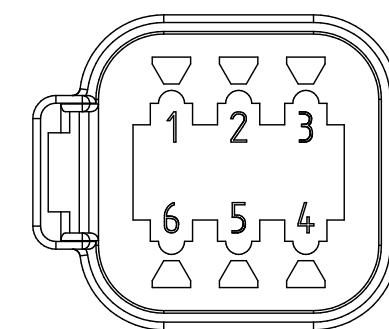


CAN IP67 keypads



vent hole and pressure compensation do not puncture or plug

pushbutton number



detail A
2:1

connections WR-MPC3 16

mating plug: Wuerth 662 016 113 322
 matching contacts: 20 - 24 AWG 662 001 137 22 DEC

pin no.	signal	comment
pin 1	supply voltage haloring button 1	12 VDC / 24 VDC
pin 2	supply voltage haloring button 2	12 VDC / 24 VDC
pin 3	supply voltage haloring button 3	12 VDC / 24 VDC
pin 4	supply voltage haloring button 4	12 VDC / 24 VDC
pin 5	supply voltage haloring button 5	12 VDC / 24 VDC
pin 6	supply voltage haloring button 6	12 VDC / 24 VDC
pin 7	supply voltage symbol lighting	12 VDC / 24 VDC
pin 8	GND lighting	
pin 9	GND lighting	
pin 10	common potential buttons	
pin 11	signal button 1	max. current 30 mA
pin 12	signal button 2	max. current 30 mA
pin 13	signal button 3	max. current 30 mA
pin 14	signal button 4	max. current 30 mA
pin 15	signal button 5	max. current 30 mA
pin 16	signal button 6	max. current 30 mA

connections 6 - DT (DT04-6P)

mating plug: Deutsch DT06-6S
 matching contacts: e.g. 1062-16-0122
 matching wedge: W6-S

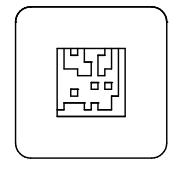
pin no.	signal	wire	comment
pin 1	GND	black	
pin 2	CAN High	yellow	
pin 3	WakeUp Out	grey	
pin 4	WakeUp In	blue	
pin 5	CAN Low	green	
pin 6	Vcc	red	8 - 32 VDC

description				drawing no.		revision	
S09 CAN IP67 KEYPADS				1707940001		03	
 EAO Automotive GmbH & Co. KG Richard-Wagner-Straße 3 08209 Auerbach GERMANY	scale	format	weight	document type		status	
	1:5	A 3	s. sheet 4+5	product information		only for information	
1st angle projection		all dimensions are in millimeters [inches]		date	name	sheet no.	
				drawn	14.07.2021	EBJ	7/8
				approved	16.07.2021	SCR	

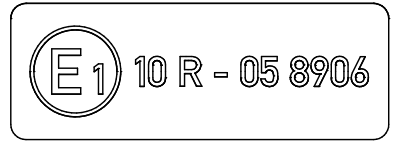
© EAO - Automotive GmbH & Co. KG. Strenge vertraulich. Alle Rechte ausdrücklich vorbehalten. Die Vervielfältigung und insbesondere die Verarbeitung in elektronischen Systemen ist ohne schriftliche Genehmigung der EAO - Automotive GmbH & Co. KG nicht gestattet. Strictly confidential. All rights strictly reserved. Reproduction and processing of data in electrical systems or in any form whatever is not permitted without written authority of EAO - Automotive GmbH & Co. KG.

product labeling

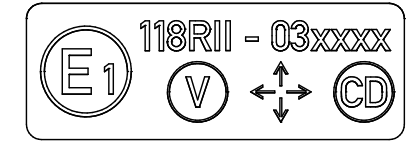
revision	zone	date	description	RP - no.
01	-	25.11.2020	initial edition	-
02	-	12.05.2021	drawing revised	918
03	-	14.07.2021	sheet 4 and 5: pos. 8 changed to stainless A4	968
-	-	-	-	-
-	-	-	-	-
-	-	-	-	-



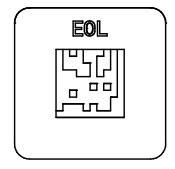
label traceability
detail C
2:1



label ECE R10
detail D
2:1

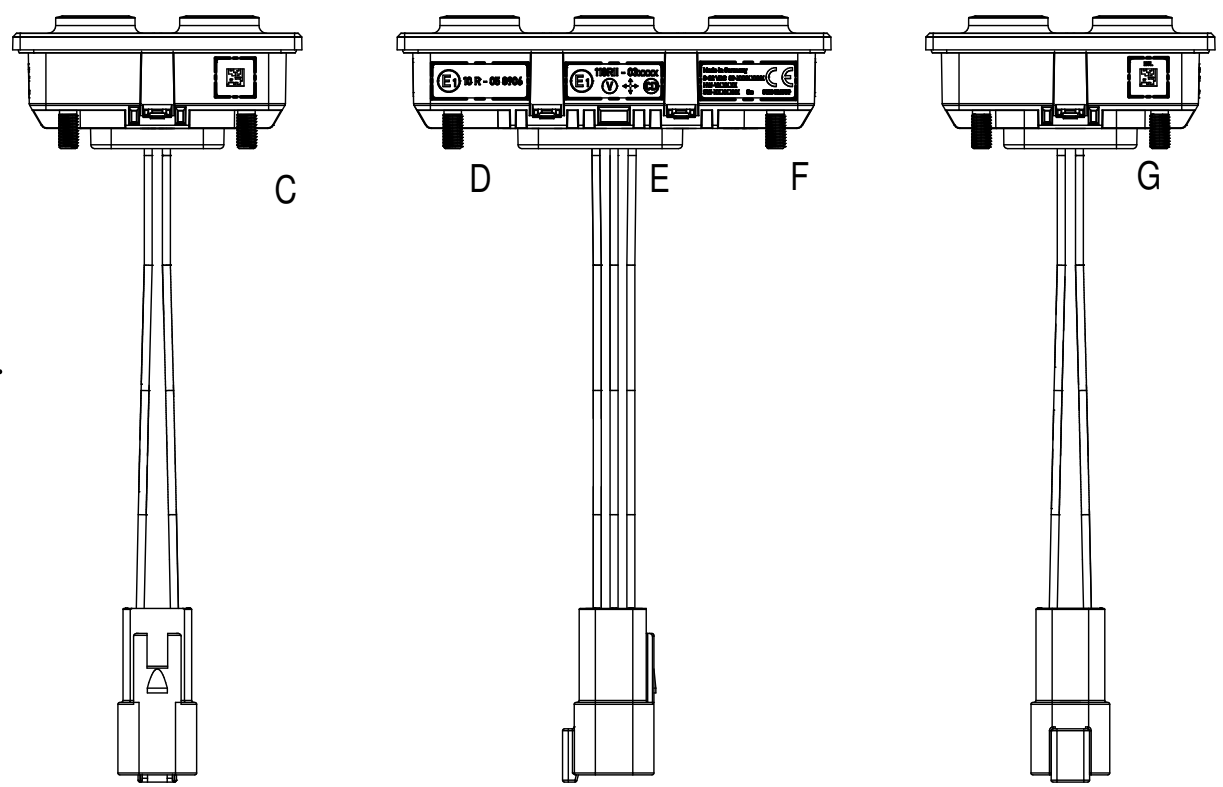


label ECE R118
detail E
2:1

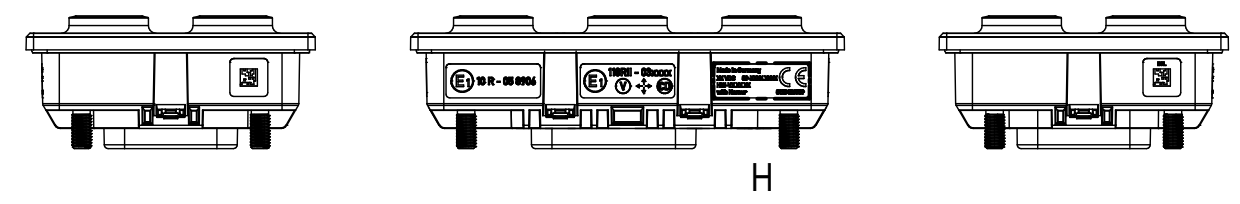


label End of Line Test
detail G
2:1

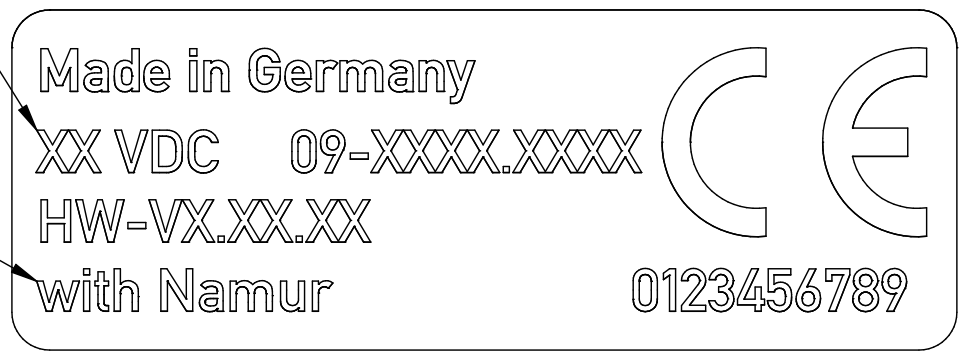
exemplarily representation CAN keypad screw-in



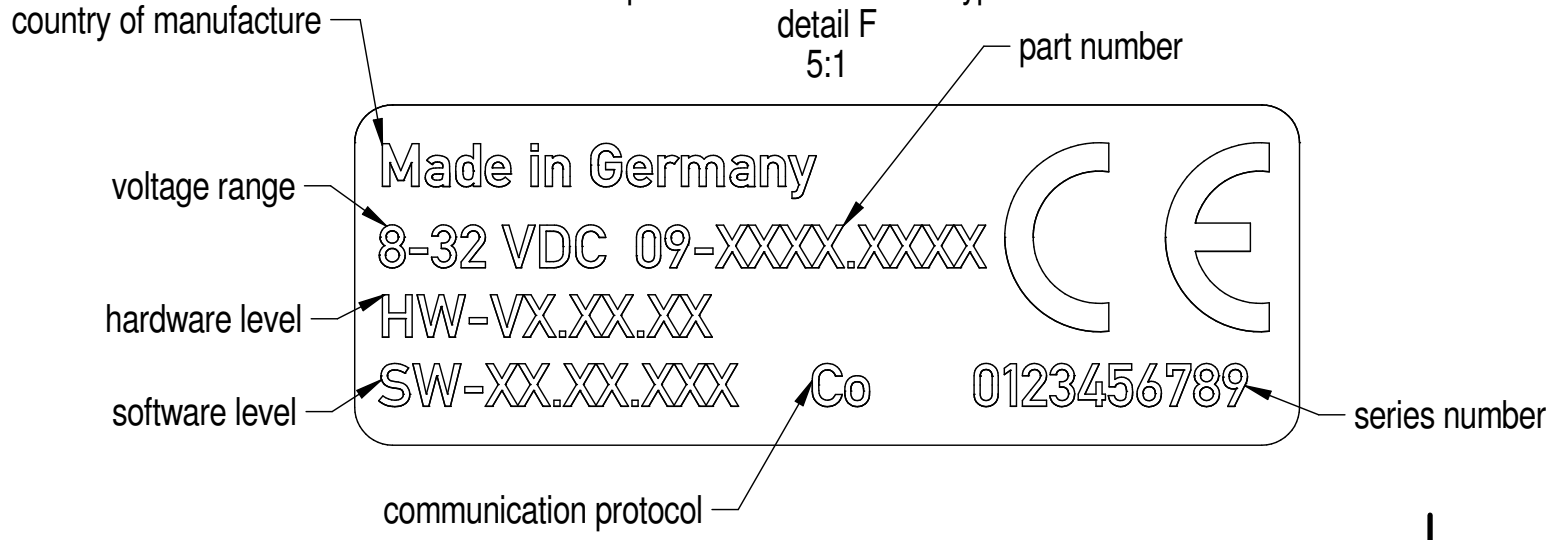
exemplarily representation hardwired keypad screw-in



product label/CE hardwired keypad
detail H
5:1



product label/CE CAN keypad
detail F
5:1



description				drawing no.		revision	
S09 CAN IP67 KEYPADS				1707940001		03	
eao EAO Automotive GmbH & Co. KG Richard-Wagner-Straße 3 08209 Auerbach GERMANY	scale	format	weight	document type		status	
	1:2	A 3	S. sheet 4+5	product information		only for information	
1st angle projection			all dimensions are in millimeters [inches]		date	name	sheet no.
					drawn	EBJ	8/8
					approved	SCR	

© EAO - Automotive GmbH & Co. KG. All rights reserved. Reproduction and processing of data in electronic systems or in any form whatsoever is not permitted without written authority of EAO - Automotive GmbH & Co. KG.