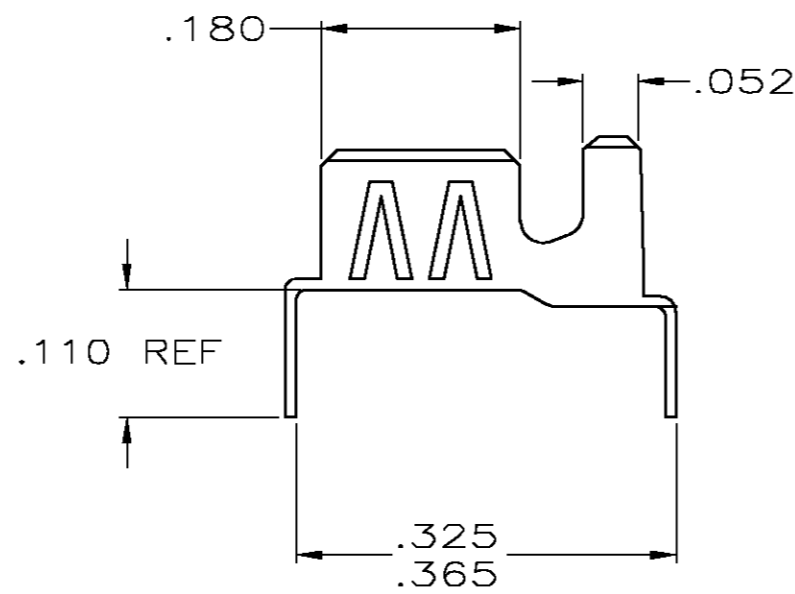
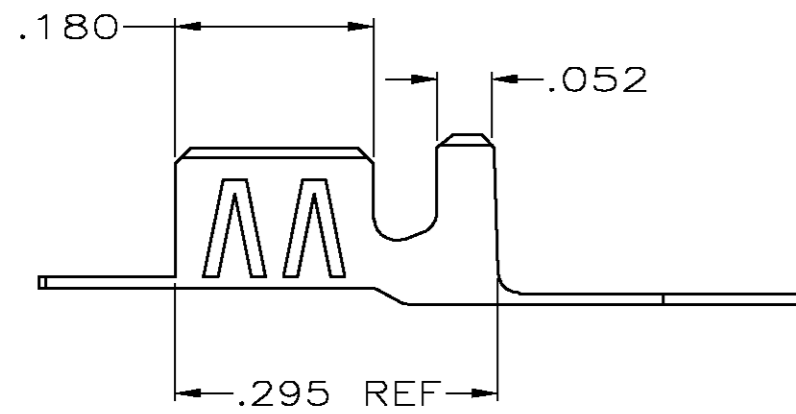
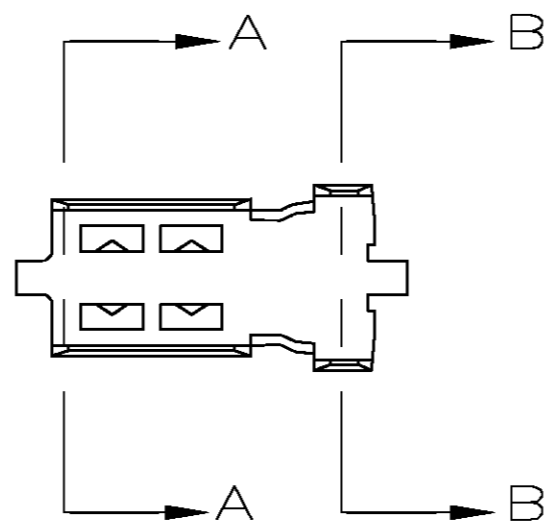
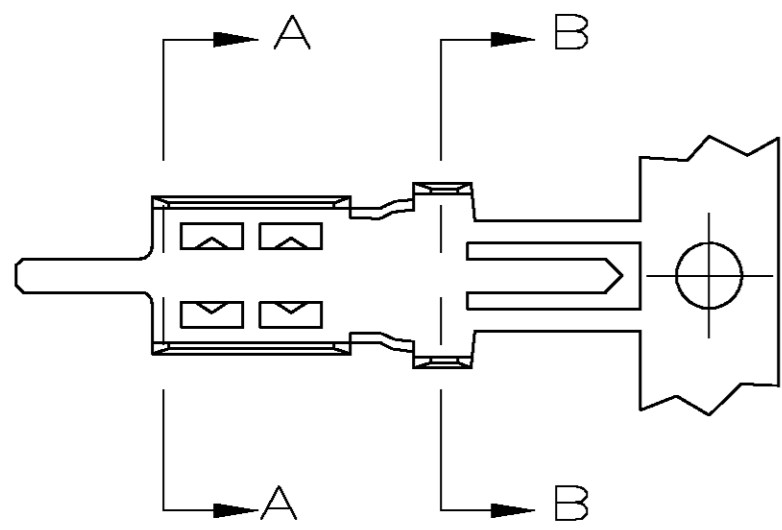
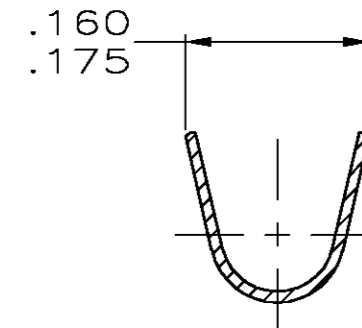
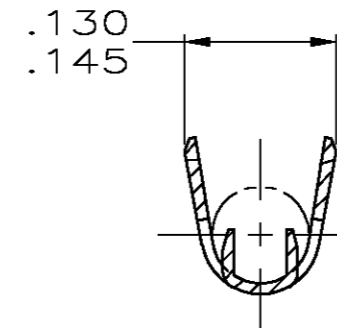


THIS DRAWING IS UNPUBLISHED. RELEASED FOR PUBLICATION
 © COPYRIGHT BY TYCO ELECTRONICS CORPORATION. ALL RIGHTS RESERVED.

LOC	DIST	REVISIONS			
P	LTR	DESCRIPTION	DATE	DWN	APVD
AJ	16	N	RELEASE PER OS14-0202-04	17MAY04	JDP JL



1. ACCEPTS COAX CABLE WITH .095-.110 O.D. JACKETS AND .055-.065 DIELECTRIC O.D. EXAMPLE: RG-174 AND RG-316
2. TIN PLATE PER ASTM-B-545.
3. INSTRUCTION SHEET NO.: 408-2472-2.
4. ON STRIP
5. ON STRIP, LEGS MUST BE BENT MANUALLY AFTER CRIMPING.
6. LOOSE PIECE PARTS WITH PREFORMED LEGS.
7. BRASS PER ASTM-B-36.
8. TIN-LEAD PLATE PER ASTM-B-545.

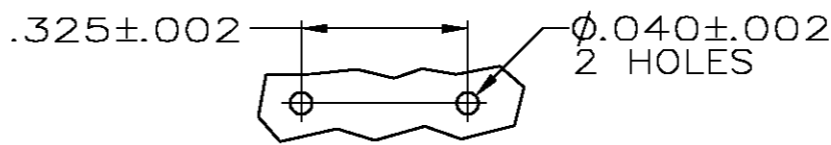


SECTION A-A

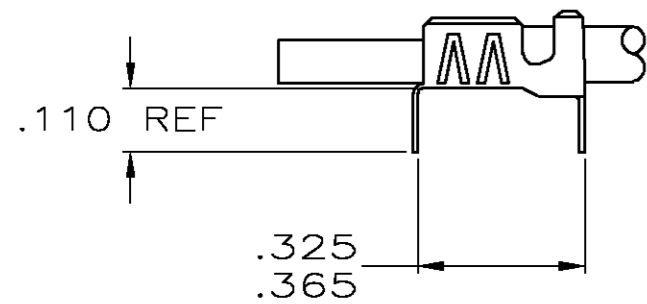
SECTION B-B

VIEW C

VIEW D



PCB LAYOUT



AS APPLIED BY APPLICATOR

VIEW E



AS APPLIED BY APPLICATOR

VIEW F

FINISH	VIEW	TYPE	PART NUMBER
2	D	6	9-226176-2
2	C&F	5	9-226176-1
2	C&E	4	9-226176-0
8	D	6	226176-4
8	C&F	5	226176-3
8	C&E	4	226176-2

THIS DRAWING IS A CONTROLLED DOCUMENT.		DWN M. OBRINE 30JUN99	Tyco Electronics Corporation Harrisburg, Pa 17105-3608	
DIMENSIONS: INCHES		CHK M. OBRINE 30JUN99	NAME	
TOLERANCES UNLESS OTHERWISE SPECIFIED:		APVD J. CABARLO 30JUN99	PRODUCT SPEC	
0 PLC ± -		APPLICATION SPEC		
1 PLC ± -		SIZE		
2 PLC ± -		CAGE CODE		
3 PLC ± .008		DRAWING NO		
4 PLC ± -		RESTRICTED TO		
ANGLES ± -		A2 00779 C=226176		
MATERIAL SEE NOTE 7	FINISH SEE TABLE	WEIGHT .007 OZ	SCALE 6:1	SHEET 1 OF 1
CUSTOMER DRAWING		REV N		

226176