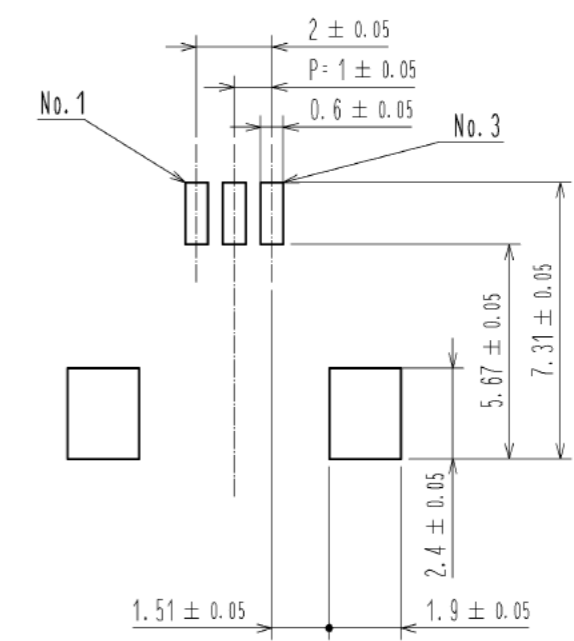
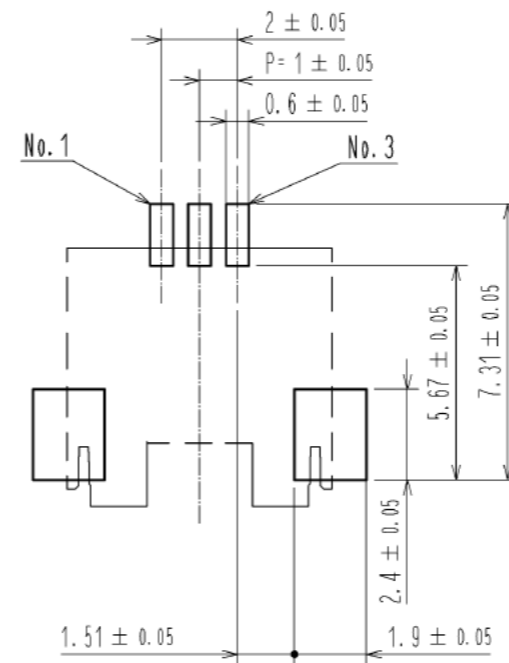
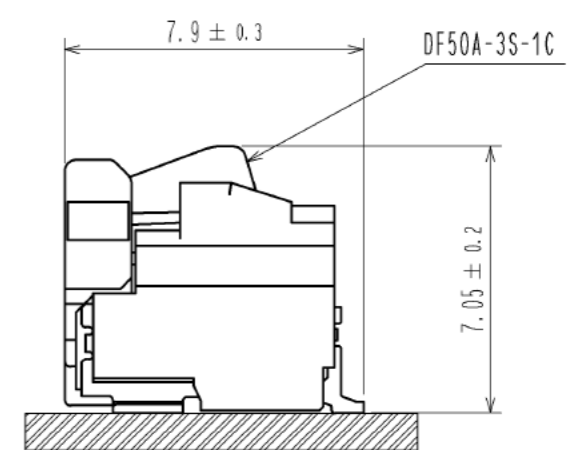
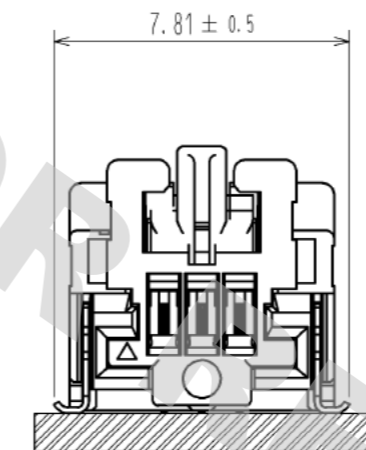


RECOMMENDED PCB LAYOUT
(MOUNTING SURFACE SIDE) (FREE)

RECOMMENDED METAL MASK (FREE)
THICKNESS : 0.1mm
OPEN AREA RATIO:100%

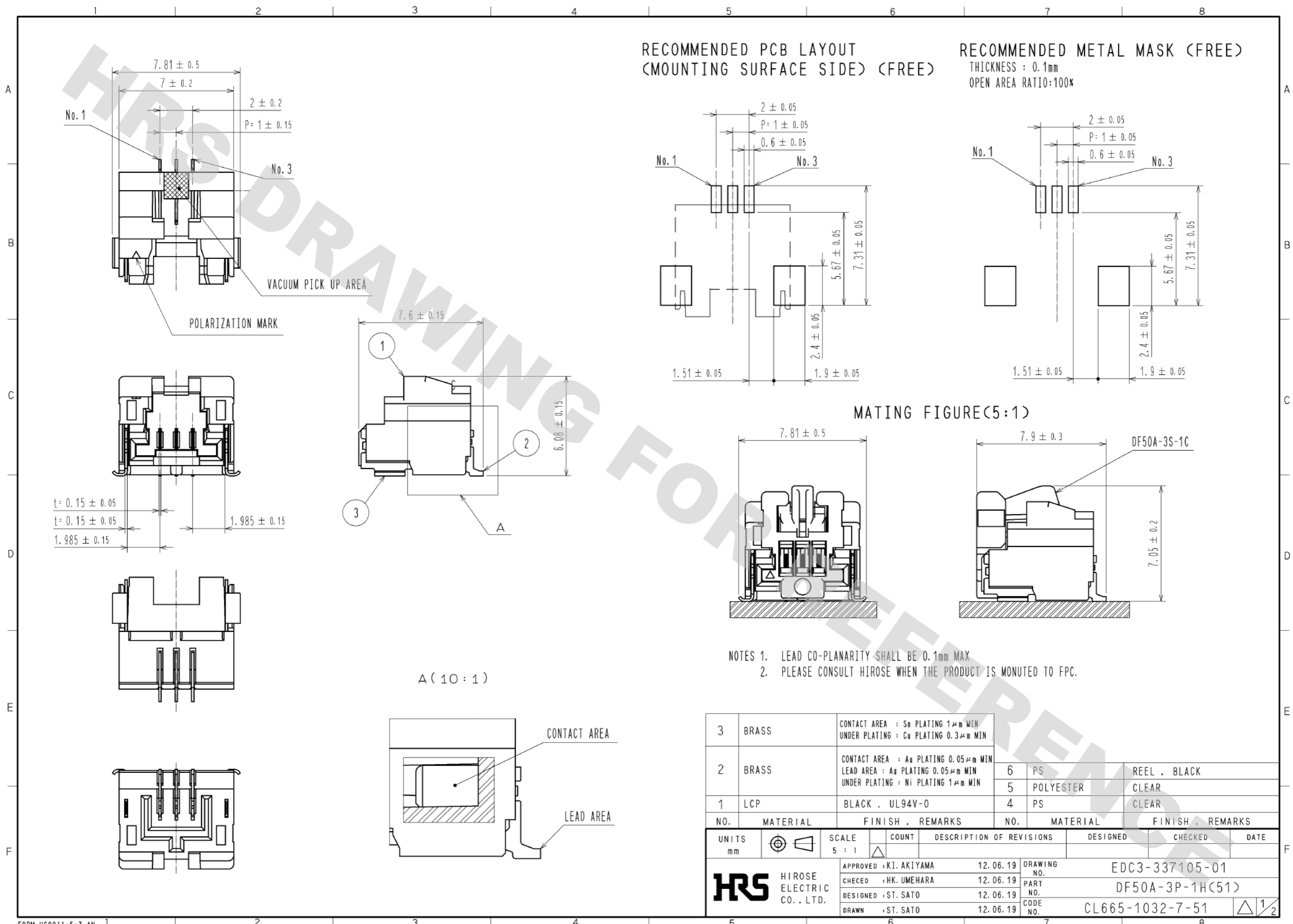


MATING FIGURE(5:1)



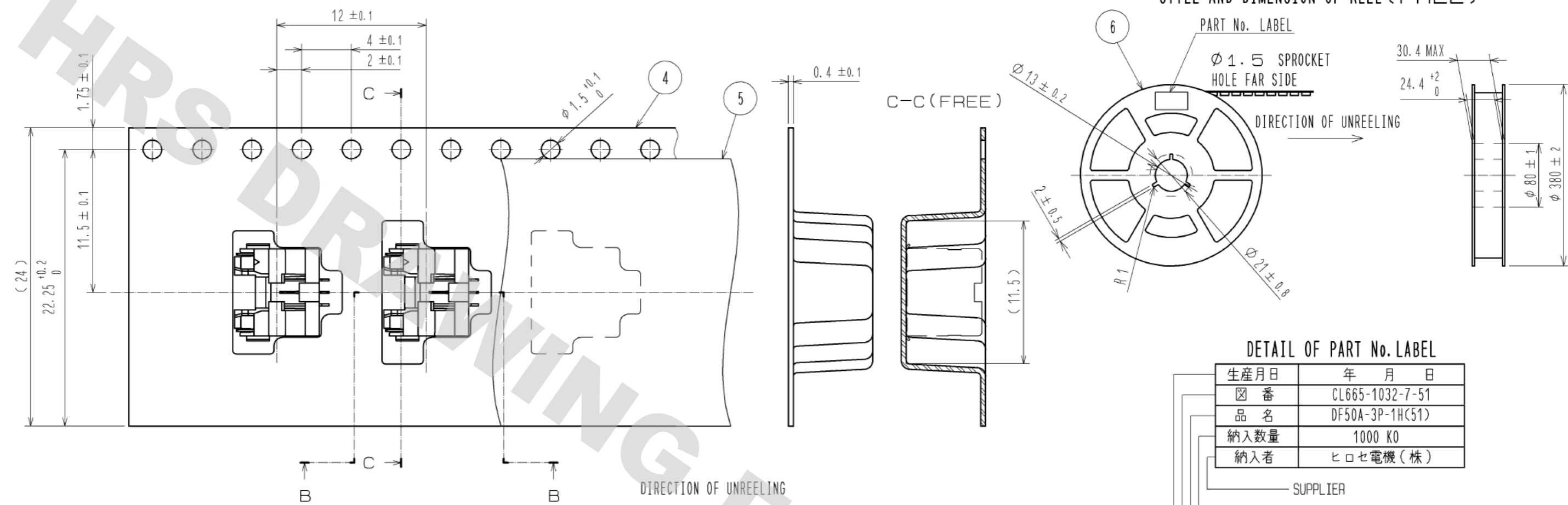
- NOTES 1. LEAD CO-PLANARITY SHALL BE 0.1mm MAX
2. PLEASE CONSULT HIROSE WHEN THE PRODUCT IS MONUTED TO FPC.

3	BRASS	CONTACT AREA : Sn PLATING 1μm MIN UNDER PLATING : Cu PLATING 0.3μm MIN	6	PS	REEL , BLACK
2	BRASS	CONTACT AREA : Au PLATING 0.05μm MIN LEAD AREA : Au PLATING 0.05μm MIN UNDER PLATING : Ni PLATING 1μm MIN	5	POLYESTER	CLEAR
1	LCP	BLACK , UL94V-0	4	PS	CLEAR
NO.	MATERIAL	FINISH , REMARKS	NO.	MATERIAL	FINISH , REMARKS
UNITS mm		SCALE 5 : 1	COUNT	DESCRIPTION OF REVISIONS	
APPROVED : KI. AKIYAMA		12.06.19	DESIGNED	CHECKED	
CHECED : HK. UMEHARA		12.06.19	DATE	DATE	
DESIGNED : ST. SATO		12.06.19	DRAWING NO. EDC3-337105-01		
DRAWN : ST. SATO		12.06.19	PART NO. DF50A-3P-1H(51)		
HRS HIROSE ELECTRIC CO., LTD.			CODE NO. CL665-1032-7-51		



DRAWING FOR REFERENCE: This is subject to change without notice
05/31/2013

STYLE AND DIMENSION OF REEL (FREE)

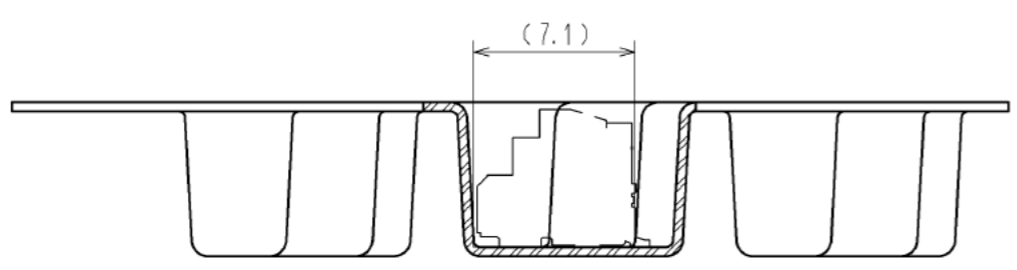


DETAIL OF PART No. LABEL

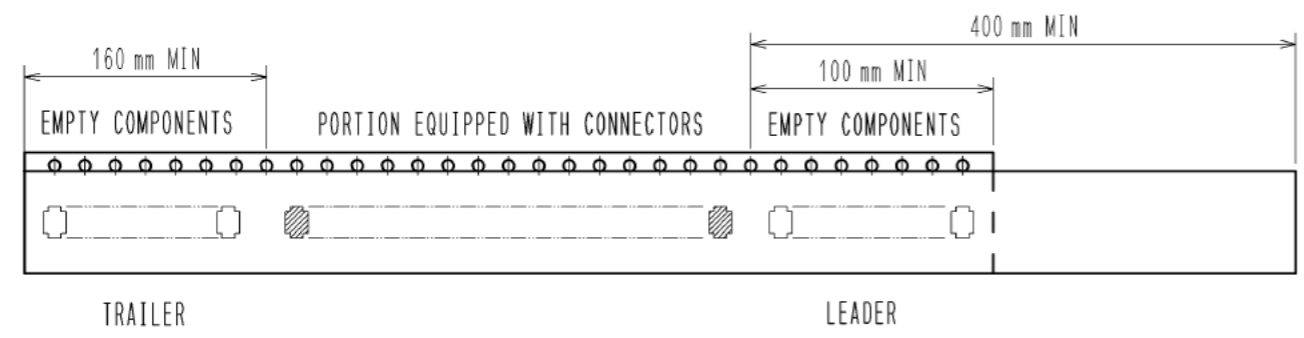
生産月日	年 月 日
図 番	CL665-1032-7-51
品 名	DF50A-3P-1H(51)
納入数量	1000 KO
納入者	ヒロセ電機(株)

- SUPPLIER
- QUANTITY
- PART No.
- CODE No.
- DATE OF MANUFACTURED

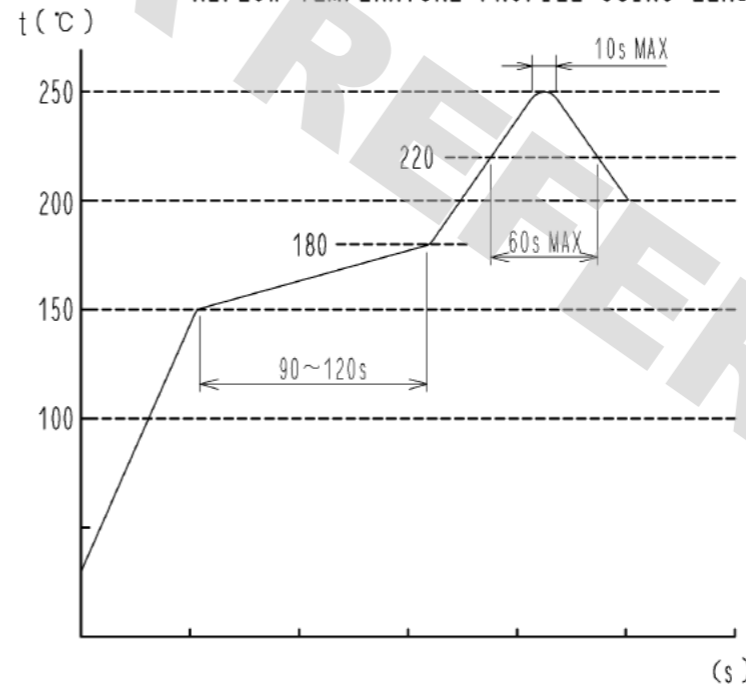
B-B (FREE)



5 TAPING (FREE)



REFLOW TEMPERATURE PROFILE USING LEAD-FREE SOLDER PASTE (REFERENCE)



NUMBER OF REFLOW CYCLES 2 CYCLES MAX.
THE TEMPERATURE IS MEASURED IN THE TERMINAL LEAD PART.

ADDITIONAL FACTORS, SUCH AS SOLDER PASTE TYPE, PCB SIZE AND OTHER MOUNTED COMPONENTS COULD AFFECT THE PROFILE. THEREFORE, A THOROUGH EVALUATION OF MOUNTING CONDITION IS REQUIRED PRIOR TO PRODUCTION. TEMPERATURE IS MEASURED AT CONTACT LEAD.

NOTE 3. 1 REEL : 1000 CONNECTORS
 4 REEL TO JIS C 0806. (PACKAGING OF COMPONENTS FOR AUTOMATIC HANDLING)
 5. THE DIMENSIONS IN PARENTHESES ARE FOR REFERENCE.

HRS	DRAWING NO.	EDC3-337105-01	△ 2/2
	PART NO.	DF50A-3P-1H(51)	
	CODE NO.	CL665-1032-7-51	

DRAWING FOR REFERENCE: This is subject to change without notice
05/31/2013