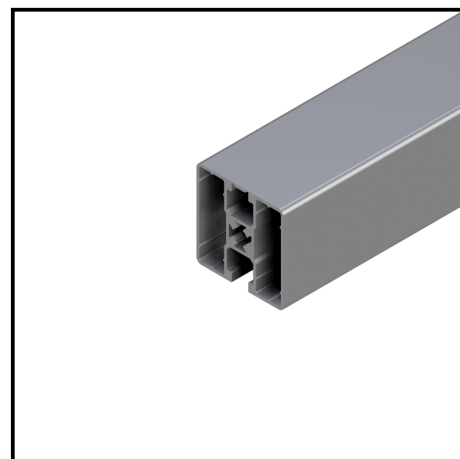
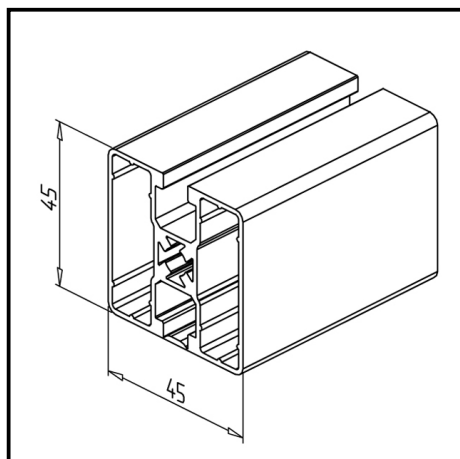


# PROFILE 45 X 45 UL 3G

Article Nr. 20.1123/0

See the product on the website →

Download CAD Files →



## TECHN. DATA / ITEMS SUPPLIED

- Aluminium, extruded, anodized E6/EV1
- $I_x = 10.44 \text{ cm}^4$
- $I_y = 8.557 \text{ cm}^4$
- $w_x = 4.64 \text{ cm}^3$
- $w_y = 3.803 \text{ cm}^3$
- $IT = 18.997 \text{ cm}^4$
- Weight = 1.281 kg/m
- Packing unit = 54 m

## APPLICATIONS

- Grooves expandable
- Weight-optimized constructions
- All types of constructions, specifically for high hygiene requirements in the food industry, medical technology, bottling of beverages
- Silicon sealings for profile connections on request

## ASSEMBLY

- MiniTec power-lock fastener
- Angle 19 / 25 / 45 / 45 x 90 GD-Z
- Screw connection