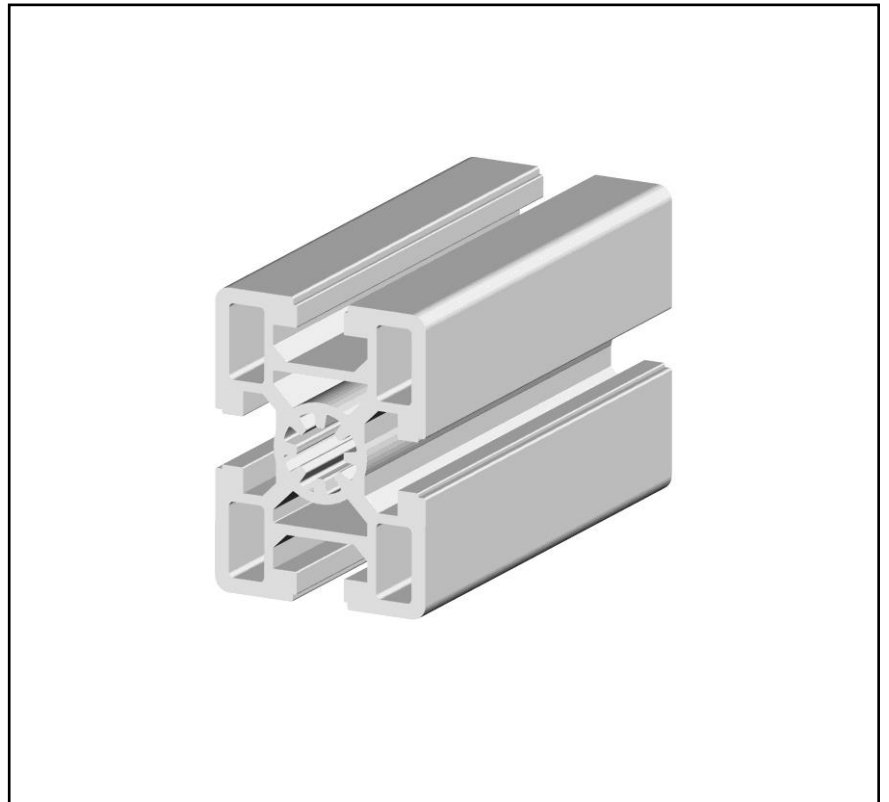


Features

- Light-weight aluminium alloy
- Suitable for cut to length application
- Structural element type: Strut Profile
- Compatible with support and connector accessories

RS PRO Strut Profile Type B, 45x60, 10 mm Groove, 2000 mm Length

RS Stock No.: 0766824



RS Professionally Approved Products bring to you professional quality parts across all product categories. Our product range has been tested by engineers and provides a comparable quality to the leading brands without having a premium price.

Product Description

RS PRO aluminum profiles offer a modular solution for building structures, frameworks and workstations. Many components and connectors allow you to choose from a wide range of applications. The modular system includes different profile types and lengths of 1 m, 2 m and 3 m with different cross-sections and groove-sizes in grid dimensions from 20 mm to 90 mm.

General Specifications

Structural Element Type	Strut Profile / Aluminium Profile
Number of Grooves	4
Material	Aluminium anodized
Colour	Silver
Product System	Construction, Workstations, Industrial equipment, Automotive manufacturing

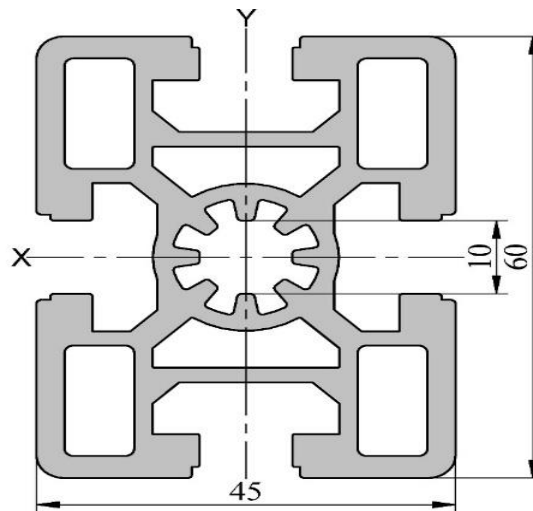
Mechanical Specifications

Strut Profile	45 x 60 mm
Length	2000 mm
Groove Size	10 mm
Mass (G)	3.01 kg/m
Moment of Inertia (Ix, Iy)	37.55 cm ⁴ 22.66 cm ⁴
Section Modulus (Wx, Wy)	12.52 cm ³ 10.07 cm ³

Compatible Accessories for Groove

Stock No.	Items
276-8159	RS PRO Uniblock 25, Black Slot 10
276-8160	RS PRO Slot 10, Roll in T-Slot Nut, with Spring, M5
276-8161	RS PRO Slot 10, Roll in T-Slot Nut, with Spring, M6
276-8162	RS PRO Slot 10, Roll in T-Slot Nut, with Spring, M8
276-8171	RS PRO Slot 10, Hammer Nut, M4
276-8172	RS PRO Slot 10, Hammer Nut, M5
276-8173	RS PRO Slot 10, Hammer Nut, M6
276-8176	Slot 10, Hammer Head Screw, M8x20
276-8177	Slot 10, Hammer Head Screw, M8x25
276-8178	Slot 10, Hammer Head Screw, M8x30
276-8179	Slot 10, Hammer Head Screw, M8x25
276-8181	Central Connector, Slot 10, 0°
276-8182	Central Connector, Slot 10, 90°
276-8187	Cover Profile, Slot 10, Black
276-8188	Cover Profile, Slot 10, Grey

Dimensional Diagram



Similar Products

Parameters	264-7845	264-7846	264-7848	264-7850
Brand	RS PRO	RS PRO	RS PRO	RS PRO
Structural Element Type	Strut Profile / Aluminium Profile	Strut Profile / Aluminium Profile	Strut Profile / Aluminium Profile	Strut Profile / Aluminium Profile
Number of Grooves	4	2	6	6
Material	Aluminium, anodized	Aluminium, anodized	Aluminium, anodized	Aluminium, anodized
Colour	silver	silver	silver	silver
Product System	Construction, Workstations, Industrial equipment, Automotive manufacturing	Construction, Workstations, Industrial equipment, Automotive manufacturing	Construction, Workstations, Industrial equipment, Automotive manufacturing	Construction, Workstations, Industrial equipment, Automotive manufacturing
Strut Profile	45 x 45 mm	45 x 45 mm	45 x 90 mm	45 x 90
Length	3000 mm	3000 mm	1000 mm	3000 mm
Groove Size	10	10	10	10
Round Tube Outer Diameter				
Tube Thickness				
Square Tube Profile				
Mass (G)	1.55 kg/m	1.64 kg/m	3.05 kg/m	3.05 kg/m
Moment of Inertia (I_x, I_y)	11 cm ⁴	11.82 cm ⁴	81.82 cm ⁴ 23.53 cm ⁴	81.82 cm ⁴ 23.53 cm ⁴
Section Modulus (W_x, W_y)	4.89 cm ³	5.11 cm ³	18.18 cm ³ 10.46 cm ³	18.18 cm ³ 10.46 cm ³
Standards Met				