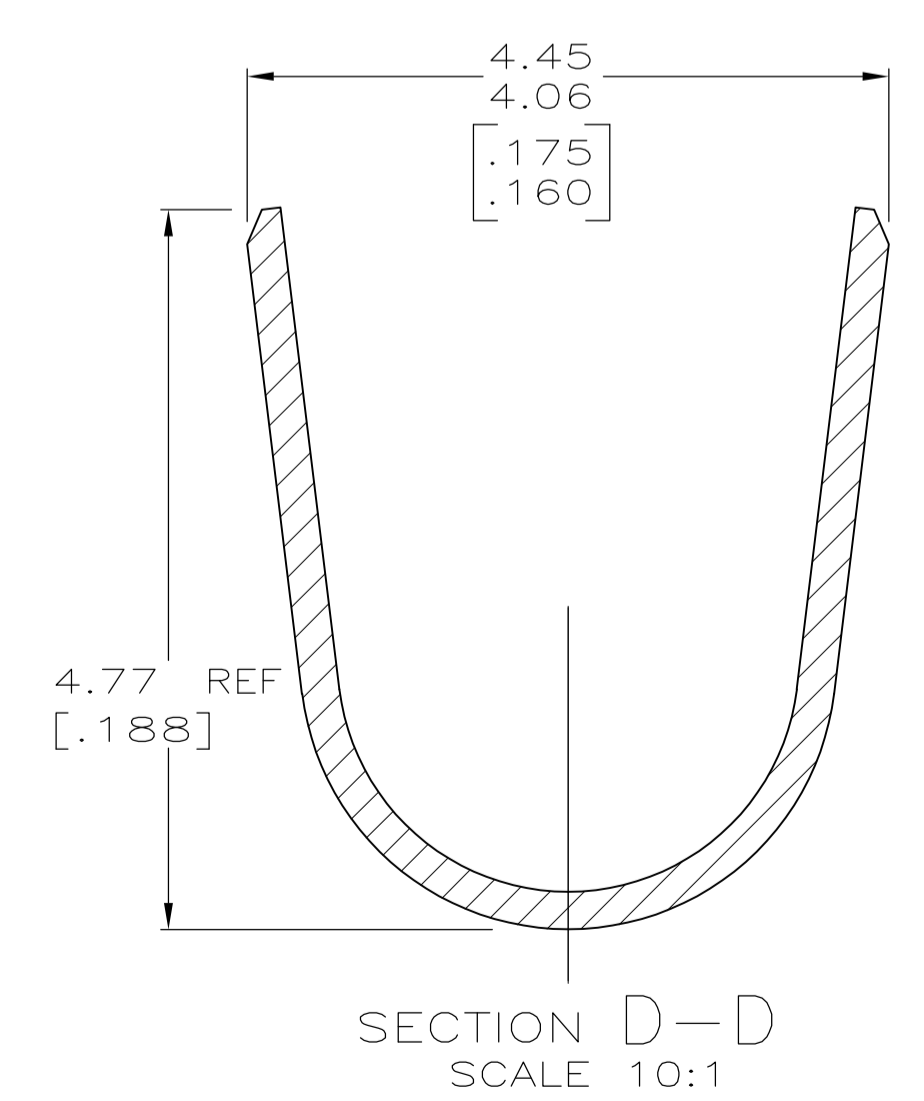
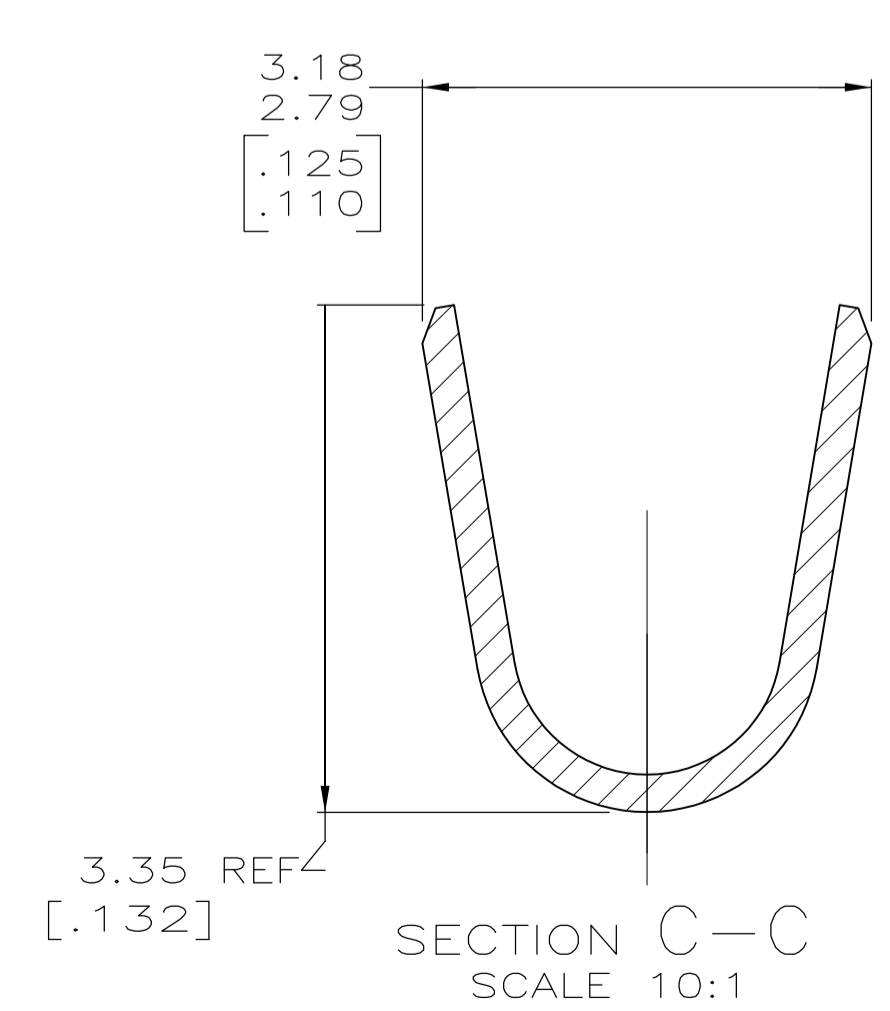
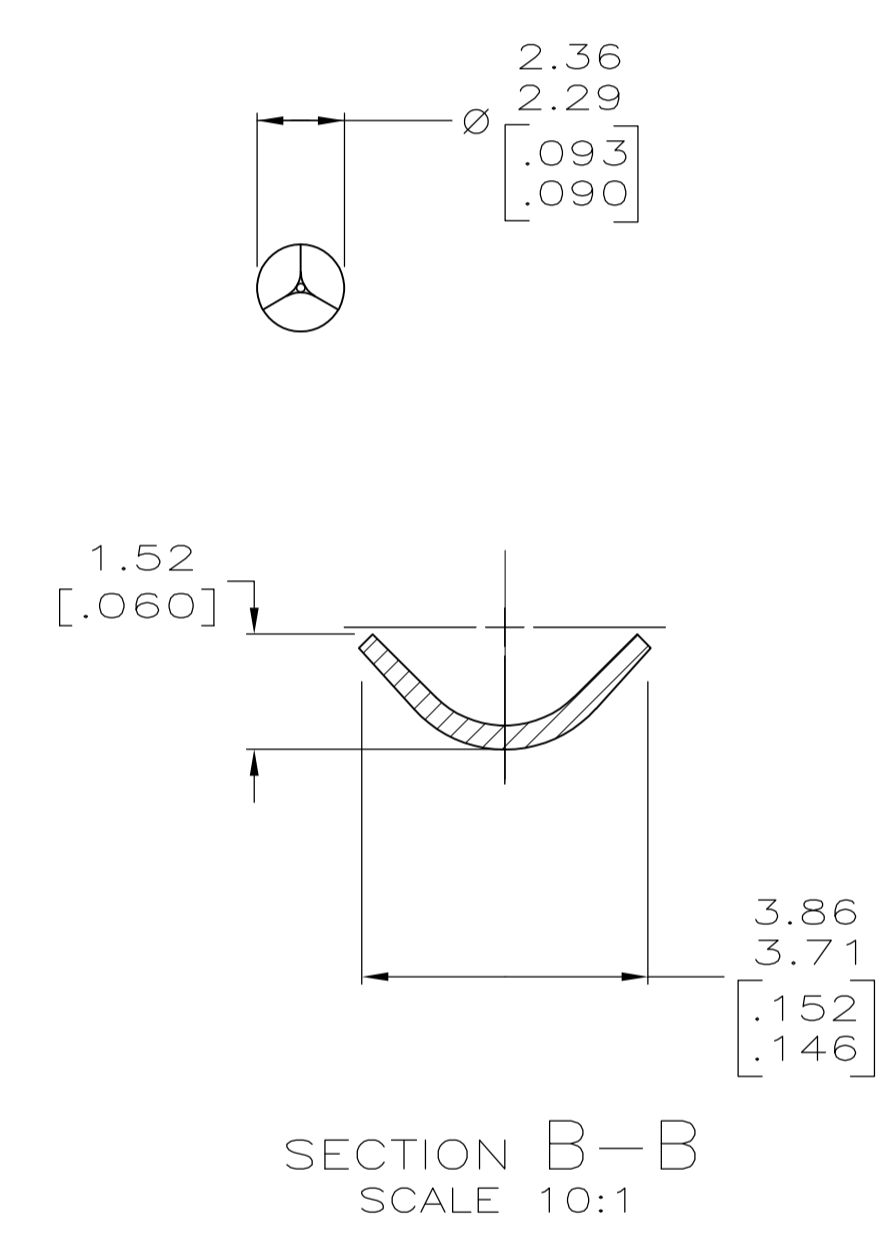
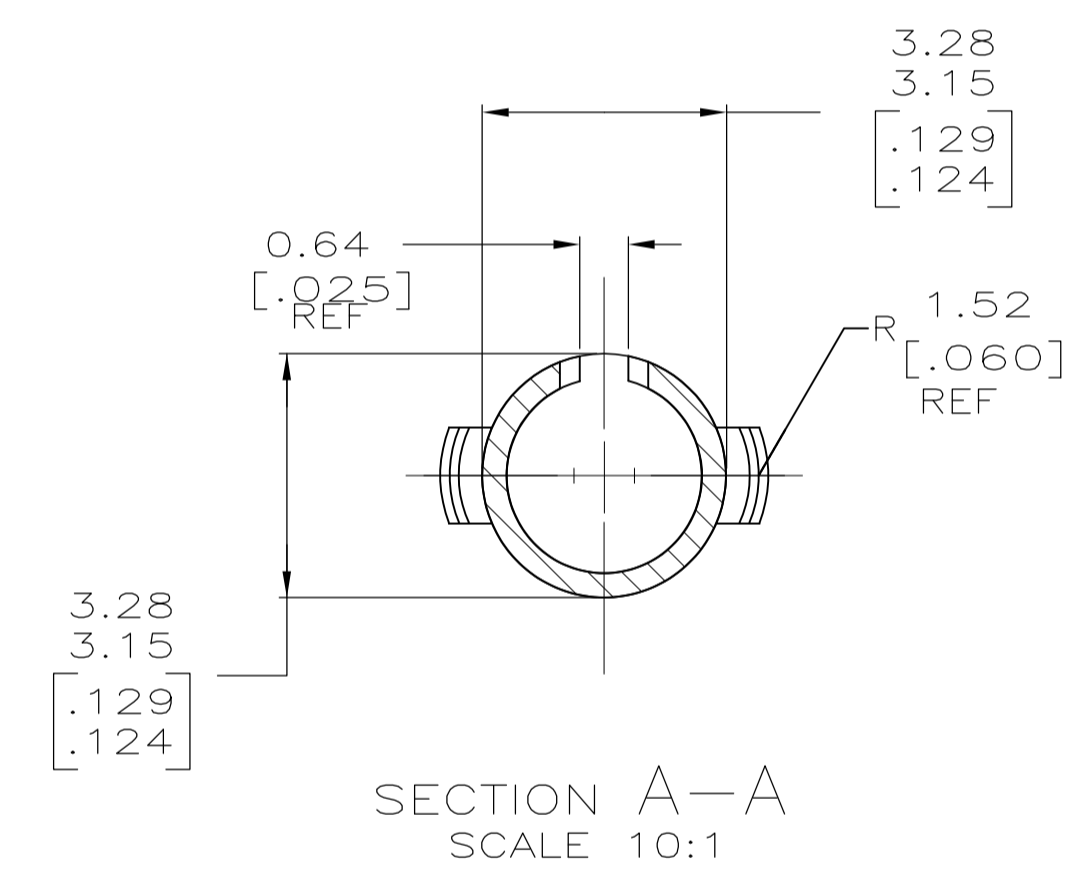
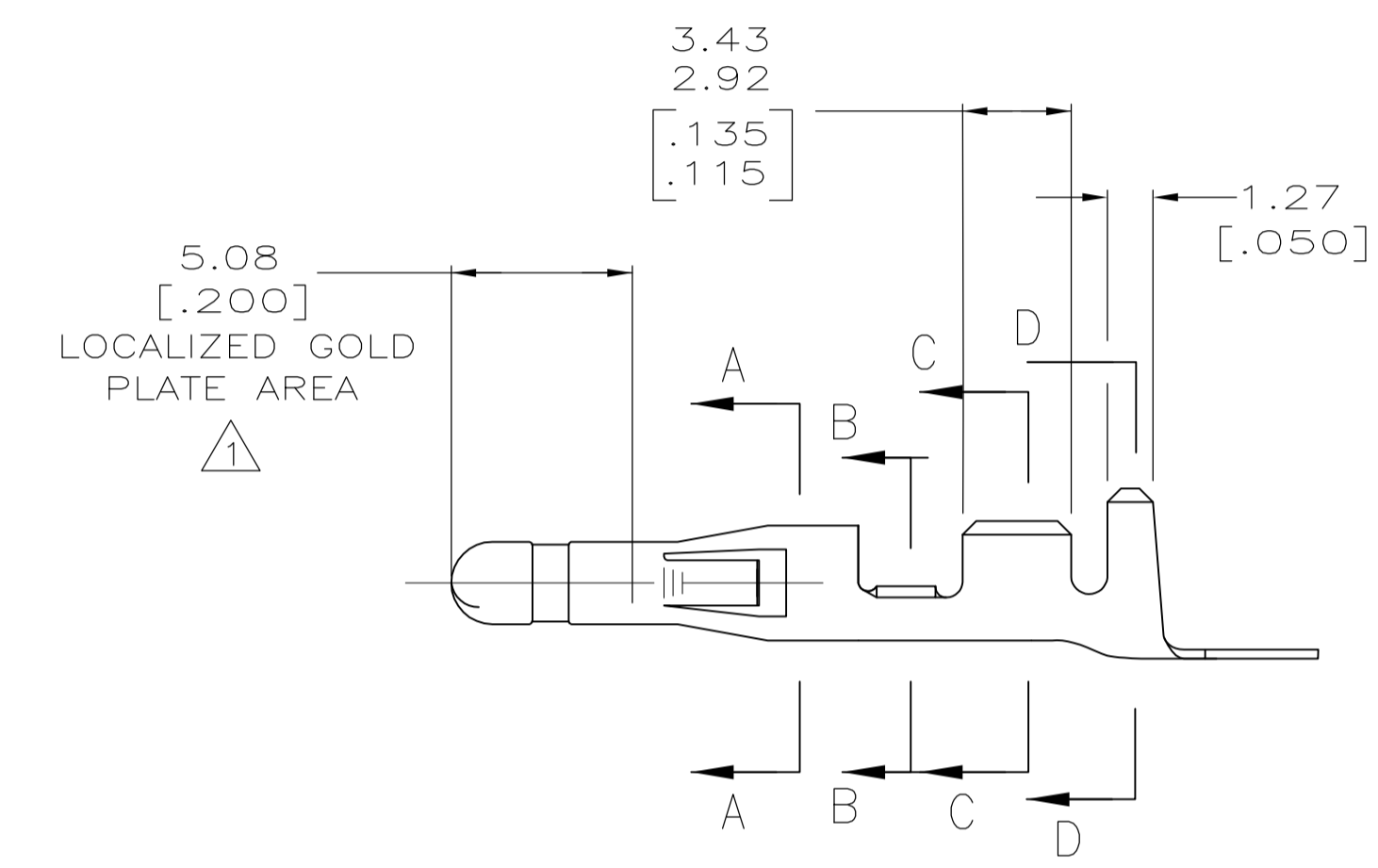
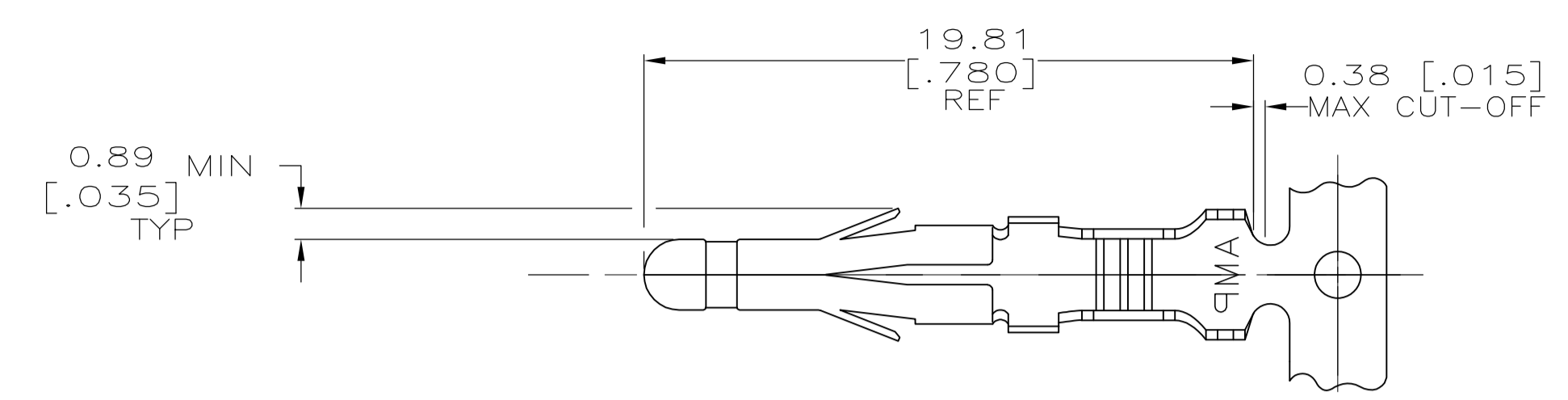


- 1 0.00076 [.000030] MIN GOLD IN LOCALIZED GOLD PLATE AREA OVER 0.00127 [.000050] MIN NICKEL.
- 2 WIRE RANGE: 0.5 -2mm² (20-14 AWG).
- 3 INSULATION RANGE: 3.56 [.140] MAX. DIA.
- 4 DIMENSIONS IN BRACKETS ARE IN INCHES.



METRIC

| | | |
|---------|-------------------|-------------|
| | 0.25 [.010] BRASS | 350416-5 |
| PRE-TIN | 0.25 [.010] BRASS | 350416-1 |
| FINISH | MATERIAL | PART NUMBER |

| | | | | |
|--|---------------------|----------------------|---|----------------------|
| THIS DRAWING IS A CONTROLLED DOCUMENT. | | DWN L. SMITH 2-11-93 | TE Connectivity | |
| DIMENSIONS: mm [INCHES] | | CHK R. SWING 2-11-93 | | |
| TOLERANCES UNLESS OTHERWISE SPECIFIED: | | APVD G. CASH 2-11-93 | NAME .093 PIN COMMERCIAL PIN AND SOCKET | |
| 0. PLC ± - | 1. PLC ± - | PRODUCT SPEC | APPLICATION SPEC | |
| 2. PLC ± - | 3. PLC ± 0.13(.005) | WEIGHT | RESTRICTED TO | |
| 4. PLC ± - | ANGLES ± - | SIZE A1 | CAGE CODE 00779 | DRAWING NO. C=350416 |
| MATERIAL SEE TABLE | FINISH SEE TABLE | CUSTOMER DRAWING | SCALE 5:1 | SHEET 1 OF 1 |