

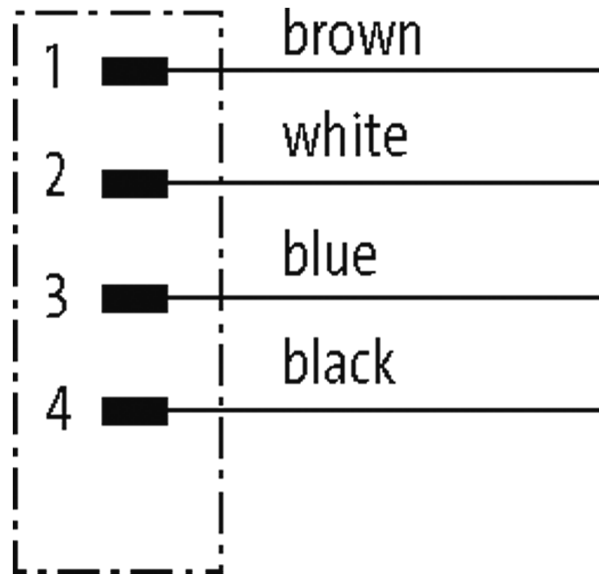
M12 Power T-coded male receptacle front mount

wires PVC 4x1.5 1m

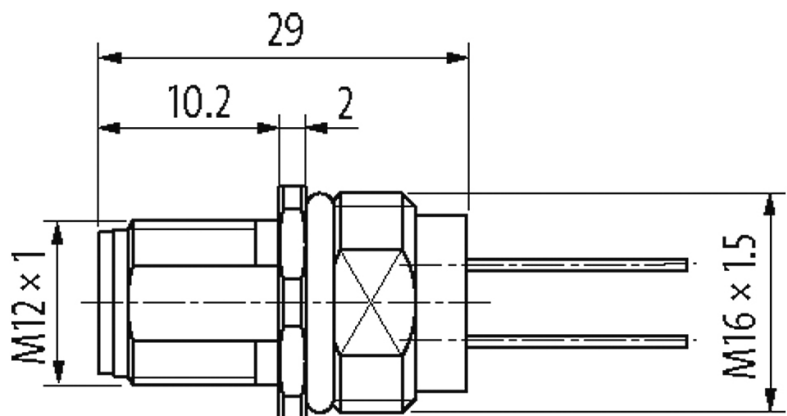
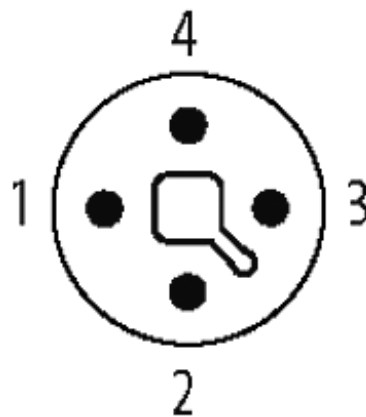
Flange male
M12, 4-pole
T-coded
Front mounting
with multi-strand wire

The resistance to aggressive media should be individually tested for your application.
Further details on request. Further cable lengths on request.

[Link to Product](#)**Illustration**



Male



Product may differ from Image

Form

Form

P7281

Cables

Cable number

941

The information in this brochure has been compiled with the utmost care.

Liability for the correctness completeness and topicality of the information is restricted to gross negligence. Version: 08/17

No./diameter of wires	4 × 1.5 mm ²
Wire isolation	PPE (br, wh, bl, bk)
Temperature range (fixed)	-40...+85 °C

Technical Data

Operating voltage	max. 63 V AC/DC
Rated surge voltage	1.5 kV
Operating current per contact	max. 12 A
Material group	IEC 60664-1, category III
Coding	T-coded
Locking of ports	Screw thread M12 × 1 mm (recommended torque 0.6 Nm) self-securing
Compression gland	Flange (SW17)
Protection	IP67 inserted and tightened (EN 60529)
suitable for corrugated tube (internal Ø)	without

General data

Pollution Degree	3
Mounting set	Screw thread M16 × 1.5 mm (mounting nut)
Temperature range	-40...+85 °C, depending on cable quality

Commercial data

country of origin	DE
customs tariff number	85444290
EAN	4048879664929
minimum order quantity	1