



53" PRO35™ STACK TOOL STORAGE 19 DRAWERS RED

- Impressive 53" tool stack with 19 fully extendable drawers, each featuring ball bearing slides
- Includes EVA mats in drawers
- Constructed from heavy gauge steel treated with a 5-step phosphate-free rust prevention process and a powder coat finish for durability
- Four 6" heavy-duty swivel castors, fixing brackets, and a comfort grip handle for stability and ease of movement
- Compatible with the modular TengTools Tool Control System

The TengTools 53" PRO35™ stack TSS53R19 in matte red is a highly functional mobile tool storage solution for professionals. This stack system combines a 53" 9-drawer roller cabinet with a 10-drawer top tool chest, creating a 19-drawer unit measuring 1350 mm wide, 460 mm deep, and 1540 mm high with castors. The drawers are 380 mm deep and 75 mm high, with one drawer 160 mm high for diverse tool storage. Each 575 mm wide drawer fits combinations of TengTools modules equivalent to four TC1 modules plus one TCX4 module, ensuring high customization. The single 1215 mm full-width drawer can house combinations equivalent to eight TC1 modules plus two TCX4 modules, offering extensive storage. Each drawer is fully extendable and has smooth ball bearing slides for reliable operation, supporting up to 40 kg. The stack is made from heavy gauge steel treated with a 5-step phosphate-free rust prevention process for durability and corrosion resistance. Mobility is enhanced by four 6" heavy-duty swivel castors, two of which are braked, ensuring easy movement and stable positioning. A comfort grip handle on the roller cabinet and recessed side handles on the top chest provide convenient handling. Each unit is secured with a 3-digit combination lock, and fixing brackets securely join the tool chest to the roller cabinet to prevent tipping.

General information

Country of origin: Taiwan
Barcode: 5020385215344
Tariff code Europe: 9403208000
ECCN US: EAR99
UNSPSC: 24112401

Dimensions

Net weight (g): 242300
Width (mm): 1350
Depth (mm): 460
Height with castors (mm): 1540
Max static load: 1340 kg
Max dynamic load: 840 kg
Number of drawer: 19
Drawer capacity: 19 × 40 kg
Drawer depth: 19 × 380 mm
Drawer height: 18 × 75 mm, 1 × 160 mm
Drawer width: 18 × 575 mm, 1 × 1215 mm

Attributes

Product type: Mobile Tool Storage
Colour: Red
Type of storage: Stack System
Castor size: 6" x 2"
Swivel castors: 2
Braked swivel castors: 2

Features



Technical changes and errors may occur. 01-08-2024 20:00



DESIGNED IN SWEDEN

TengTools is a Swedish company present in more than 30 markets worldwide, and offers hand tools in smart storage solutions for demanding professionals within the automotive, maintenance and engineering sectors, as well as motor sport enthusiasts who aspire to use the same tools as top mechanics across the globe.



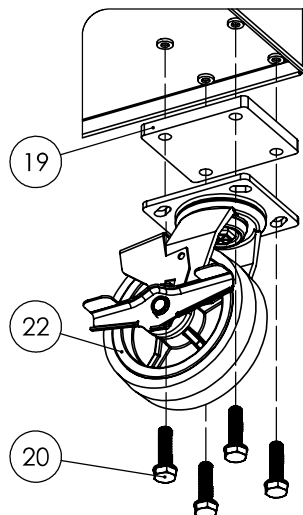
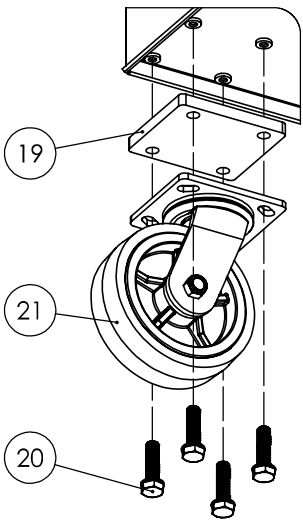
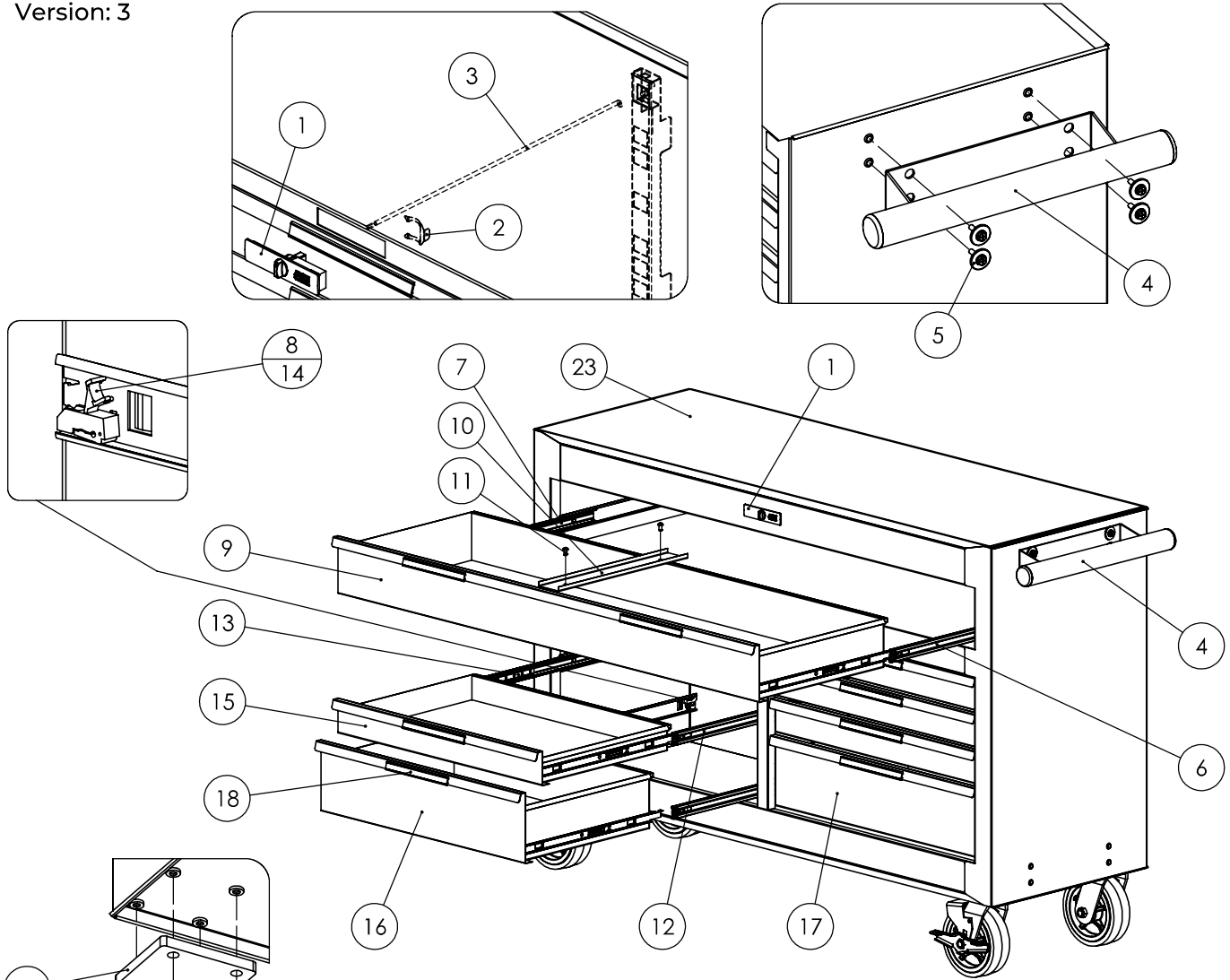
Sandbergsvägen 3
 441 39 Alingsås, Sweden

SPARE PART LIST

TSW53R9
Version: 3



WWW.TENGTTOOLS.COM



| POS | DESCRIPTION | ITEM ID |
|-----|--|---------------|
| 1A | Combination lock 180° | TC-180CLOCK |
| 1B | Key cylinder lock 180° (optional) | TC-180KEYLOCK |
| 2 | Cam for lock (included in Pos 1) | TCW806N-02 |
| 3 | Locking bar | TCW603-01 |
| 4 | Side handle | TCW807NBK1-14 |
| 5 | Screws for side handle (4pcs) | TCW603-08 |
| 6 | Slider 16" 51 mm Right (1pc) | TCW713-18 |
| 7 | Slider 16" 51 mm Left (1pc) | TCW713-19 |
| 8 | Clip for sliders (included in Pos 6 & 7) | TCW806LN-19 |
| 9 | Drawer 1215 x 380 x 160 mm Red | TSW53R-160 |
| 10 | Divider for 53" drawer | TCW809N-18 |
| 11 | Screws for divider 53" drawer | TCW809N-19 |
| 12 | Slider 16" 36 mm Right (1pc) | TCW810N-05 |
| 13 | Slider 16" 36 mm Left (1pc) | TCW810N-06 |
| 14 | Clip for sliders 36 mm (included in Pos 14 & 15) | TCW807N-16 |
| 15 | Drawer 575 x 380 x 75 mm Red | TSW26R-75 |
| 16 | Drawer 575 x 380 x 154 mm Red with Logo | TSW26RF-150 |
| 17 | Drawer 575 x 380 x 154 mm Red | TSW25R-150 |
| 18A | Aluminium drawer handle (3 pcs) | ALUE803 |
| 18B | Aluminium drawer handle (4 pcs) | ALUE804 |
| 19 | Plastic spacer for caster 12 mm (1 pc) | TCW806LN-03 |
| 20 | Screws for casters (4 pcs) | TCW806LN-08 |
| 21 | Swivel casters 6" x 2" (1 pc) | TCW713-12 |
| 22 | Swivel casters with brake 6" x 2" (1 pc) | TCW713-11 |
| 23 | 1340 x 454 x 18 MDF Worktop | TC-TB06 |

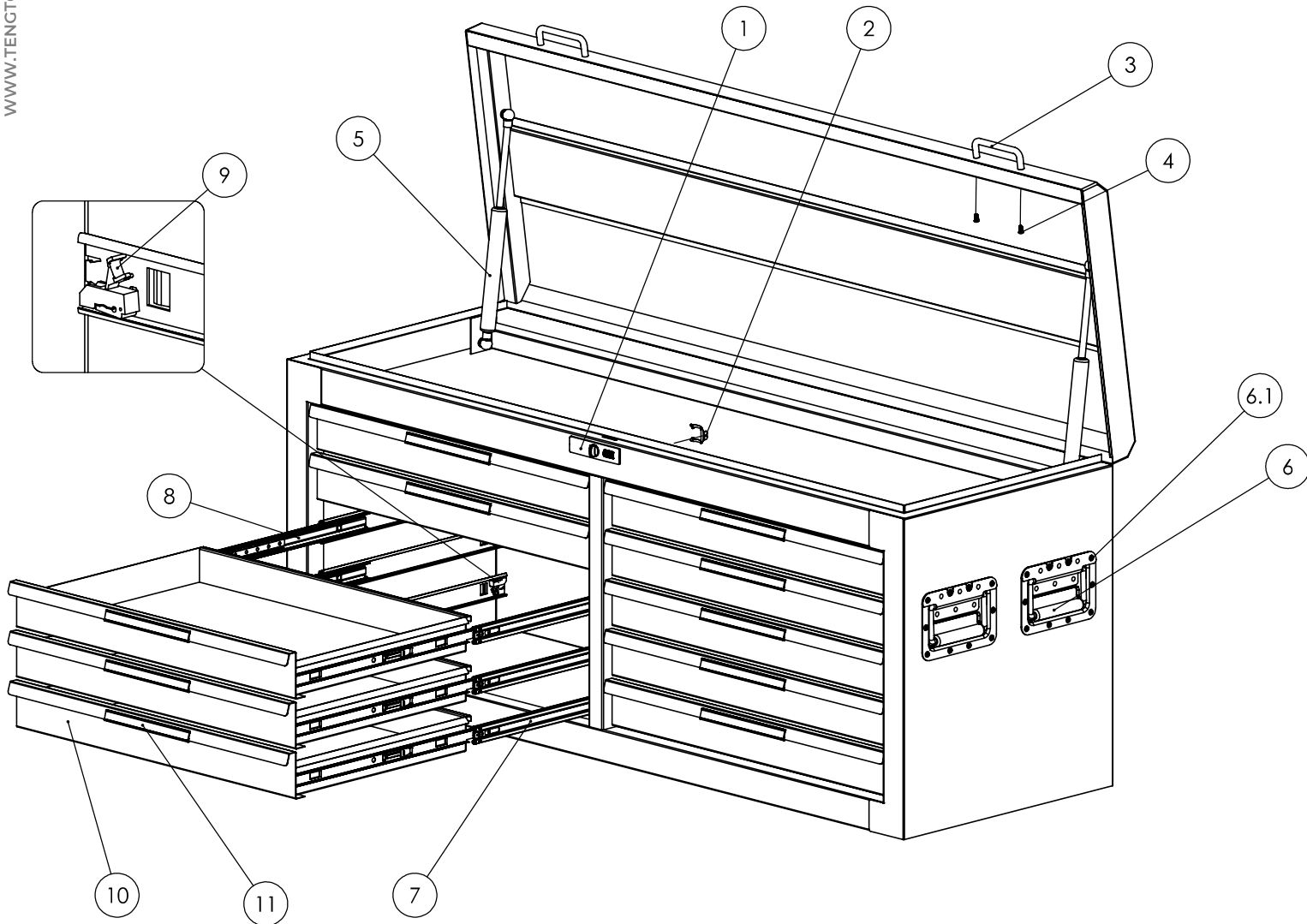
SPARE PART LIST

TST53R10F

Version: 3



WWW.TENGTTOOLS.COM



| POS | DESCRIPTION | ITEM ID |
|-----|--------------------------------------|----------------|
| 1A | Combination lock 90° | TC-90CLOCK |
| 1B | Key cylinder lock 90° (optional) | TC-90KEYLOCK |
| 2 | Cam for lock (included in Pos 1) | TC603-05 |
| 3 | Drop front handle Black | TC805NFXBK1-10 |
| 4 | Screws for drop front handle (2 pcs) | TC606-10 |
| 5 | Hydraulic Lid Stay 8 mm (2 pcs) | TC810N-12 |
| 6 | Retractable side handle | TCDSHA |
| 6.1 | Rivets: 4,8mm x 7,4mm Black (10 pcs) | - |
| 7 | Slider 16" 36 mm Right (1pc) | TCW806N-06 |
| 8 | Slider 16" 36 mm Left (1pc) | TCW810N-06 |
| 9 | Clip for slider (included in Pos 8) | TC803N-13 |
| 10 | Drawer 575 x 380 x 75 mm Red | TSW26R-75 |
| 11A | Aluminium drawer handle (3 pcs) | ALUE803 |
| 11B | Aluminium drawer handle (4 pcs) | ALUE804 |

ADDITIONAL IMAGES



WWW.TENGOOLS.COM



LIST OF CONTENTS



- TSS53R19** 53" PRO35™ stack tool storage 19 drawers red
- TST53R10F** 53" PRO35™ tool chest 10 drawers red
- TSW53R9** 53" PRO35™ roller cabinet 9 drawers red