



- **Temperature and humidity adjustable**
- **Wide voltage range**
- **Operating temperature down to -40°C**
- **High switching capacity**
- **With external sensor**

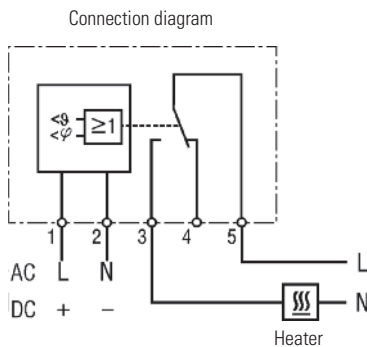
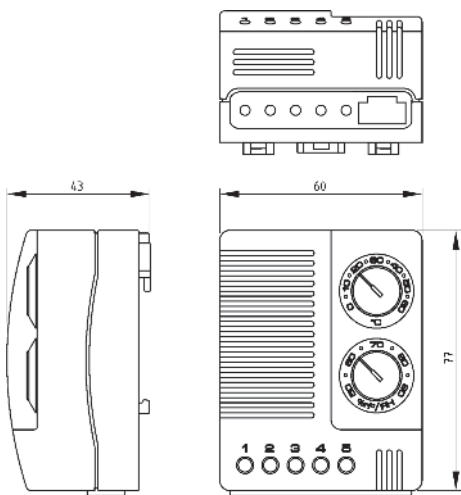
The electronic hygrotherm senses the ambient temperature and relative humidity in an enclosure with electric/electronic components and turns on a heater (or alternatively a fan) at either set point, helping prevent the formation of condensation in the enclosure. Due to its wide voltage range the hygrotherm can be utilised anywhere in the world. The external sensor can be positioned freely anywhere in the enclosure for precise measurements.



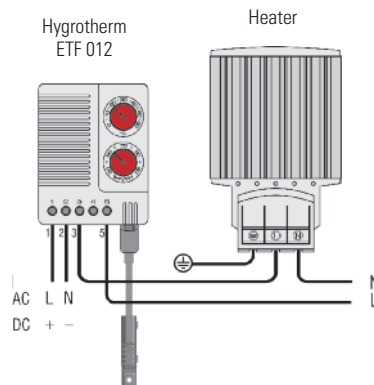
Technical Data

Switch difference (temperature)	2K (± 1K tolerance) at +25°C (+77°F) / 50% RH
Switch difference (humidity)	4% RH (± 1% tolerance) at +25°C (+77°F) / 50% RH
Reaction time (humidity)	approx. 5 sec.
Contact type	change-over contact (relay)
Service life	VDE: NO/NC > 15,000 cycles UL: NO/NC > 30,000 cycles
Max. switching capacity (relay output)	240VAC, 10 (1.6) A 60VDC, 0,6 A ¹
Max. inrush current	30AAC for 10 sec.
Optical indicator	LED
Connection	5-pole terminal, clamping torque 0.5Nm max.: rigid wire 2.5mm ² stranded wire (with wire end ferrule) 1.5mm ²
Mounting	clip for 35mm DIN rail, EN 60715
Casing	plastic according to UL94 V-0, light grey
Dimensions	77 x 60 x 43mm
Weight	approx. 0.2kg
Fitting position	vertical
Operating / Storage temperature	-40 to +60°C (-40 to +140°F)
Operating / Storage humidity	max. 90% RH (non-condensing)
Protection type	IP20

¹ not UL confirmed



Example of connection



Art. No. Cable 1m	Art. No. Cable 2m	Operating voltage	Setting range temperature	Setting range humidity	Approval
01231.0-00	01231.0-01	100-240VAC, 50/60 Hz (min. 90VAC, max. 265VAC)	0 to +60°C	50 to 90% RH	VDE + UL File No. E164102
01231.9-00	01231.9-01	100-240VAC, 50/60 Hz (min. 90VAC, max. 265VAC)	+32 to +140°F	50 to 90% RH	VDE + UL File No. E164102
01231.1-00	01231.1-01	24-48VDC (min. 20VDC, max. 60VDC)	0 to +60°C	50 to 90% RH	VDE + UL File No. E164102

Specifications are subject to change without notice. Errors and omissions excepted. Suitability of this product for its intended use and any associated risks must be determined by the end customer/ buyer 16.01.2013

Regulating