



We Tame Photons to Work for You!



- Products
- Search Tools
- Solutions
- Literature
- Tech Notes
- Support
- Corporate



Products > LEDs > Thru-Hole > LED Holders

Features / Options

- ▶ State-of-the-Art, High Brightness Chip Technology
- ▶ Choice of Colors and Lens Finishes
- ▶ Lead Frame / Lens Casting Reliability
- ▶ Easy-to-Solder Leads, Tin Finish
- ▶ Available Bulk or on Tape and Reel
- ▶ Lead Trimming and Forming Available
- ▶ Custom Shapes, Easily Tooled, Low Minimum

Applications / Uses

- ▶ Board or Panel Indication or Illumination
- ▶ Annunciator and Control Panels
- ▶ Telecom Switches and Central Station Equipment
- ▶ Large Panel Indicators

Part Number:	Light Pipe Material	Ideal LED
SSH-LX3050	Nylon	SSL-LX3054
SSH-LX5090	Nylon	SSL-LX5093
SSH-LX5091	Nylon	SSL-LX5093
SSH-LXH301	Nylon	SSL-LX3054
SSH-LXH4670	PC	SSL-LX4673
SSH-LXH501	Nylon	SSL-LX5093

UNCONTROLLED DOCUMENT

SC:0.25

PART NUMBER

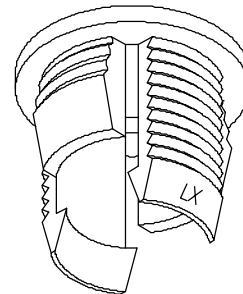
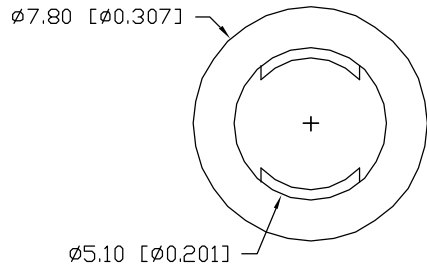
REV.

SSH-LX5091

D

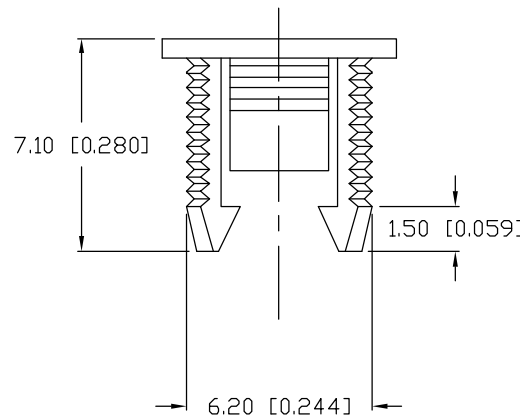
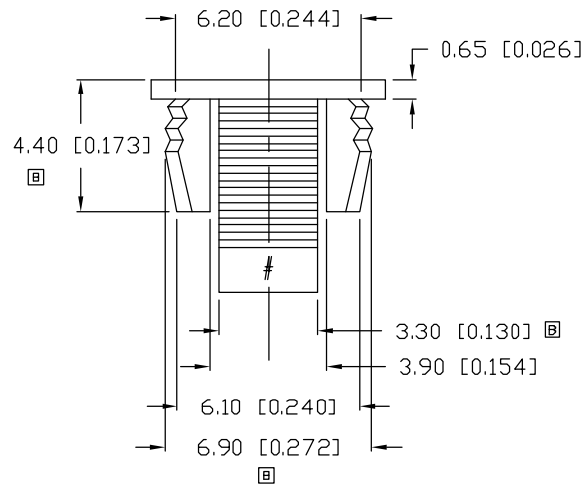
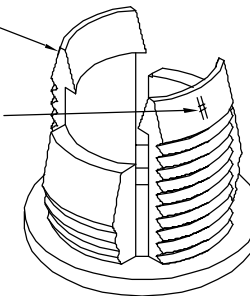
UNDER REVISION

REV.	E.C.N. NUMBER AND REVISION COMMENTS
A	E.C.N. #10BRDR. & REDRAWN.
B	E.C.N. #10525.
C	E.C.N. #11496.
D	E.C.N. #11526.



☐ LX MARKING

☐ CRAVITY # MARKING



NOTES:

1. MATERIAL: BLACK PP.
2. PANEL CUTOUT: 1/4".
3. PANEL THICKNESS: 0.050"-0.100".



UNCONTROLLED DOCUMENT

*UNLESS OTHERWISE SPECIFIED TOLERANCES PER DECIMAL PRECISION ARE: X=±1 (±0.039), X.X=±0.5 (±0.020), X.XX=±0.25 (±0.010), X.XXX=±0.127 (±0.005). LEAD SIZE=±0.05 (±0.002), LEAD LENGTH=±0.75 (±0.030). MIN.=^{+DECIMAL PRECISION}_{-0.00} MAX.=^{+0.00}_{-DECIMAL PRECISION}

REV. D	PART NUMBER SSH-LX5091
-----------	---------------------------

CONFIDENTIAL INFORMATION
THE INFORMATION CONTAINED IN THIS DOCUMENT IS THE PROPERTY OF LUMEX INC. EXCEPT AS SPECIFICALLY AUTHORIZED IN WRITING BY LUMEX INC., THE HOLDER OF THIS DOCUMENT SHALL KEEP ALL INFORMATION CONTAINED HEREIN CONFIDENTIAL AND SHALL PROTECT SAME IN WHOLE OR IN PART FROM DISCLOSURE AND DISSEMINATION TO ALL THIRD PARTIES.



LED PANEL HOLDER FROM 5mm (T-1 3/4) LED,
BLACK POLYPROYLENE.

RELIABILITY NOTE
OUR MANY YEARS OF EXPERIENCE DATA ACCUMULATION INDICATE THAT SOLDER HEAT IS A MAJOR CAUSE OF EARLY AND FUTURE FAILURE. PLEASE PAY ATTENTION TO YOUR SOLDERING PROCESS.

DRAWN BY: CK/BC	CHECKED BY:	APPROVED BY:	PAGE: 1 OF 1 SCALE: N/A
--------------------	-------------	--------------	----------------------------