

Network cable - NBC-FSD/ 1,0-93B/R4RC SCO



1407544

<https://www.phoenixcontact.com/gb/products/1407544>

Please be informed that the data shown in this PDF document is generated from our Online Catalog. Please find the complete data in the user documentation. Our General Terms of Use for Downloads are valid.



Network cable, PROFINET CAT5 (100 Mbps), EtherCAT® CAT5 (100 Mbps), 4-position, shielded (Advanced Shielding Technology), Plug straight RJ45 Push Pull / IP67, on Socket straight M12 / IP67, coding: D, cable length: 1 m

Commercial Data

Item number	1407544
Packing unit	1 pc
Minimum order quantity	1 pc
Sales Key	BF1CJN
Product Key	BF1CJN
Catalog Page	Page 397 (C-2-2019)
GTIN	4046356778497
Weight per Piece (including packing)	156 g
Weight per Piece (excluding packing)	156 g
Customs tariff number	85444210
Country of origin	PL

Network cable - NBC-FSD/ 1,0-93B/R4RC SCO



1407544

<https://www.phoenixcontact.com/gb/products/1407544>

Technical Data

Notes

General	This product corresponds to the PROFINET Cabling and Interconnection Technology Guideline for PROFINET regulations, version 2.00, order no: 2.252, Chapter 10.1 Cord Sets for Balanced Cabling
General	Further products with variable cable type and variable cable length can be found in the accessories section

Product properties

Product type	Data cable preassembled
Number of positions	4
Application	Standard
No. of cable outlets	1
Shielded	yes
Coding	D - data

Insulation characteristics

Overvoltage category	I
Degree of pollution	2

Interfaces

Bus system	PROFINET
Signal type/category	PROFINET CAT5 (IEC 11801), 100 Mbps
	EtherCAT [®] CAT5 (IEC 11801), 100 Mbps
	PROFINET CAT5 (IEC 11801), 100 Mbps
	EtherCAT [®] CAT5 (IEC 11801), 100 Mbps

LED signaling

Status display	No
Status display present	No

Electrical properties

Nominal voltage U_N	48 V AC
	60 V DC
Nominal current I_N	1 A
Transmission medium	Copper

Material specifications

Color Handle area	gray / black
Flammability rating according to UL 94	V2

Connector

Connection 1

Network cable - NBC-FSD/ 1,0-93B/R4RC SCO



1407544

<https://www.phoenixcontact.com/gb/products/1407544>

Type	Socket straight M12 / IP67
Number of positions	4
Coding type	D (Data)
Handle color	black
Material	CuSn (Contact) Ni/Au (Contact surface) PA (Contact carriers) TPU, hardly inflammable, self-extinguishing (Grip) Zinc die-cast, nickel-plated (Screw connection) FKM (Seal)
Insertion/withdrawal cycles	≥ 100
Contact resistance	≤ 5 mΩ
Insulation resistance	≥ 100 MΩ
Tightening torque	0.4 Nm
Degree of protection	IP67
Ambient temperature (operation)	-40 °C ... 70 °C

Connection 2

Type	Socket straight M12 / IP67
Number of positions	4
Coding type	D (Data)
Handle color	black
Material	CuSn (Contact) Ni/Au (Contact surface) PA (Contact carriers) TPU, hardly inflammable, self-extinguishing (Grip) Zinc die-cast, nickel-plated (Screw connection) FKM (Seal)
Insertion/withdrawal cycles	≥ 100
Contact resistance	≤ 5 mΩ
Insulation resistance	≥ 100 MΩ
Tightening torque	0.4 Nm
Ambient temperature (operation)	-25 °C ... 90 °C

Cable / line

Cable length	1 m
Cable weight	67 kg/km
UL AWM Style	21694
Number of positions	4
Shielded	yes
Cable type	PROFINET PVC stranded CAT5 [93B]
Signal runtime	5.3 ns/m
Signal speed	0.66 c
Conductor structure signal line	7x 0.25 mm

Network cable - NBC-FSD/ 1,0-93B/R4RC SCO



1407544

<https://www.phoenixcontact.com/gb/products/1407544>

AWG signal line	22
Conductor cross section	4x 0.34 mm ²
Wire diameter incl. insulation	1.55 mm
External cable diameter	6.5 mm ±0.2 mm
Outer sheath, material	PVC
External sheath, color	green RAL 6018
Conductor material	Tin-plated Cu litz wires
Material wire insulation	PE
Single wire, color	White, yellow, blue, orange
Thickness, outer sheath	approx. 0.9 mm
Overall twist	Star quad
Optical shield covering	85 %
Insulation resistance	≥ 500 MΩ*km
Coupling resistance	≤ 20.00 mΩ/m (at 10 MHz)
Loop resistance	≤ 120.00 Ω/km
Wave impedance	100 Ω ±15 Ω (at 100 MHz)
Nominal voltage, cable	600 V
Test voltage Core/Core	2000 V (50 Hz, 1 min.)
Test voltage Core/Shield	2000 V (50 Hz, 1 min.)
Minimum bending radius, fixed installation	3 x D
Minimum bending radius, flexible installation	7 x D
Near end crosstalk attenuation (NEXT)	80 dB (with 1 MHz) 76 dB (at 4 MHz) 70 dB (at 10 MHz) 65 dB (at 16 MHz) 63 dB (at 20 MHz) 60 dB (at 31.25 MHz) 55 dB (at 62.5 MHz) 50 dB (at 100 MHz)
Shield attenuation	2.1 dB (with 1 MHz) 4 dB (at 4 MHz) 6.3 dB (at 10 MHz) 8 dB (at 16 MHz) 9 dB (at 20 MHz) 11.4 dB (at 31.25 MHz) 16.5 dB (at 62.5 MHz) 21.3 dB (at 100 MHz)
Flame resistance	according to UL 1685 (CSA FT 4)
Resistance to oil	Resistant to oil to a limited extent
Other resistance	UV resistant According to UL 1581, Section 1200
Ambient temperature (operation)	-40 °C ... 70 °C (cable, fixed installation) -40 °C ... 70 °C (Cable, flexible installation)
Ambient temperature (installation)	-20 °C ... 60 °C
Signal type/category	PROFINET CAT5 (IEC 11801), 100 Mbps

Network cable - NBC-FSD/ 1,0-93B/R4RC SCO



1407544

<https://www.phoenixcontact.com/gb/products/1407544>

	EtherCAT® CAT5 (IEC 11801), 100 Mbps
--	--------------------------------------

Ambient conditions

Degree of protection	IP65 (M12 connector)
	IP67 (M12 connector)
	IP67 (RJ45 connector)

Standards and regulations

M12

Standards/specifications	IEC 61076-2-101
--------------------------	-----------------

Network cable - NBC-FSD/ 1,0-93B/R4RC SCO

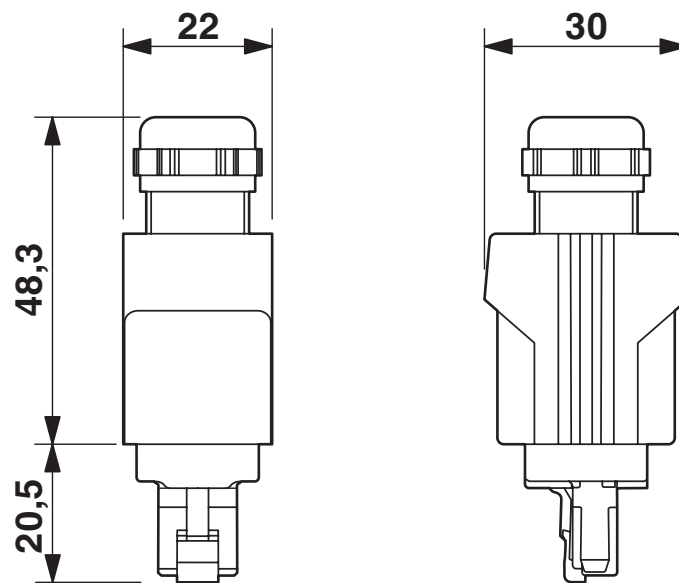
1407544

<https://www.phoenixcontact.com/gb/products/1407544>



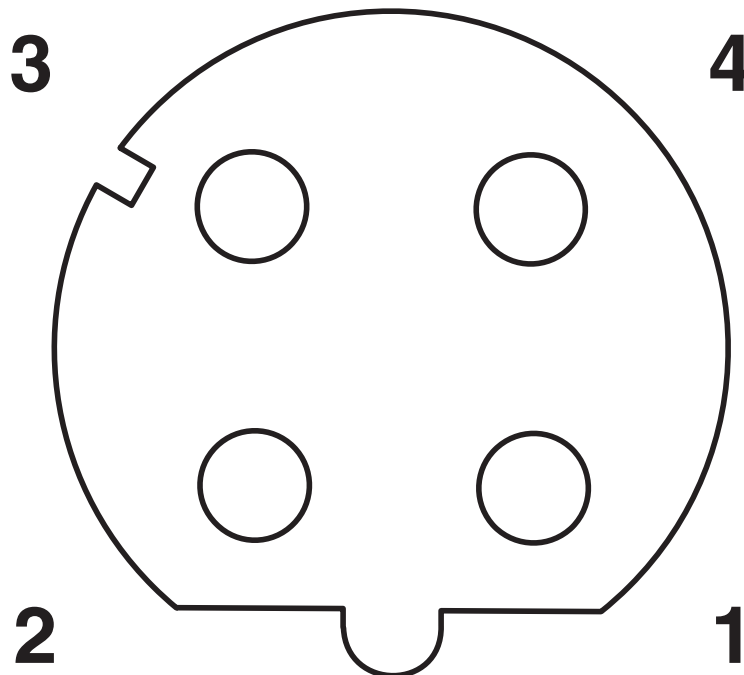
Drawings

Dimensional drawing



RJ45 Push-Pull connector, IP67

Schematic diagram



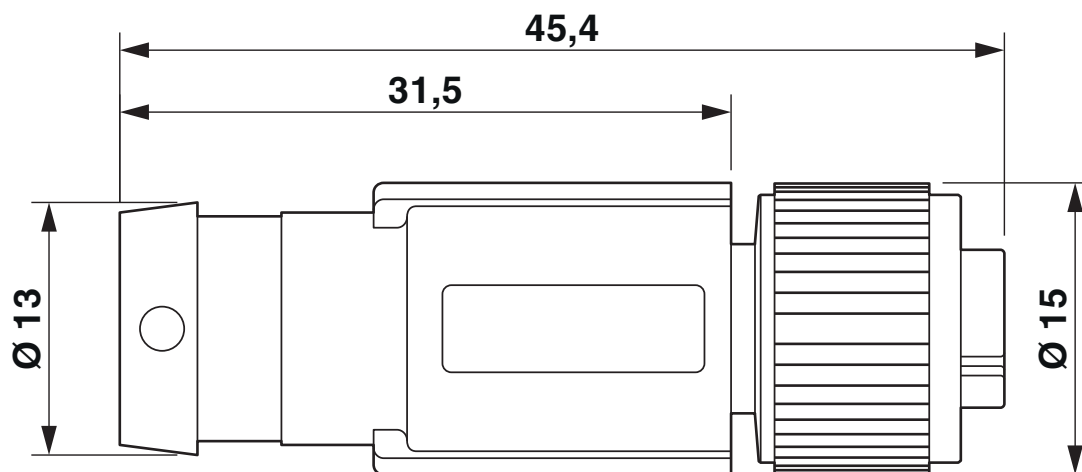
Pin assignment M12 socket, 4-pos., D-coded, female side

Network cable - NBC-FSD/ 1,0-93B/R4RC SCO

1407544

<https://www.phoenixcontact.com/gb/products/1407544>

Dimensional drawing



M12 x 1 socket, straight, shielded

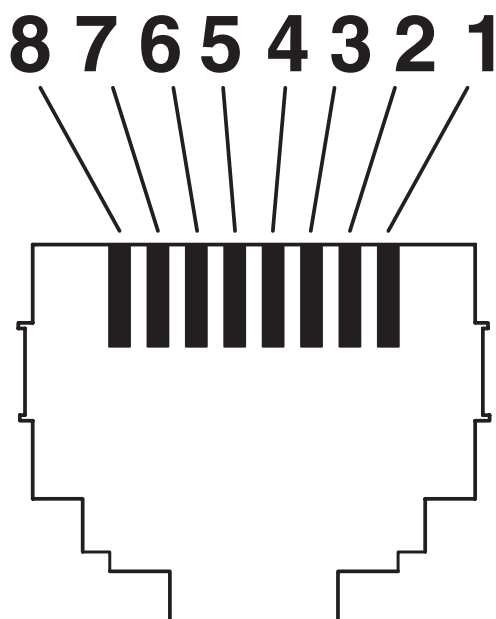
Network cable - NBC-FSD/ 1,0-93B/R4RC SCO

1407544

<https://www.phoenixcontact.com/gb/products/1407544>



Schematic diagram



Connector pin assignment plug RJ45

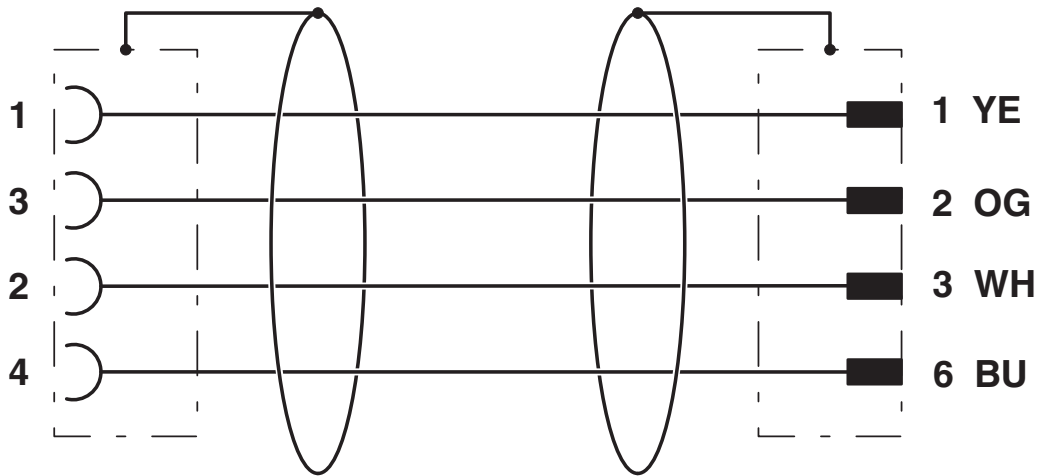
Network cable - NBC-FSD/ 1,0-93B/R4RC SCO



1407544

<https://www.phoenixcontact.com/gb/products/1407544>

Circuit diagram



Contact assignment of the M12 socket and the RJ45 plug

Network cable - NBC-FSD/ 1,0-93B/R4RC SCO



1407544

<https://www.phoenixcontact.com/gb/products/1407544>

Approvals



EAC

Approval ID: RU D-DE.HB35.B.00387

Network cable - NBC-FSD/ 1,0-93B/R4RC SCO



1407544

<https://www.phoenixcontact.com/gb/products/1407544>

Classifications

ECLASS

ECLASS-9.0	27060308
ECLASS-10.0.1	27060308
ECLASS-11.0	27060307

ETIM

ETIM 8.0	EC001855
----------	----------

UNSPSC

UNSPSC 21.0	26121600
-------------	----------

Network cable - NBC-FSD/ 1,0-93B/R4RC SCO



1407544

<https://www.phoenixcontact.com/gb/products/1407544>

Environmental Product Compliance

China RoHS	Environmentally friendly use period: unlimited = EFUP-e
	No hazardous substances above threshold values

Network cable - NBC-FSD/ 1,0-93B/R4RC SCO



1407544

<https://www.phoenixcontact.com/gb/products/1407544>

Accessories

Network cable

Network cable - NBC-MSD-R4RC SCO-PN/.../... - 1408636

<https://www.phoenixcontact.com/gb/products/1408636>



Network cable, PROFINET CAT5 (100 Mbps), EtherCAT® CAT5 (100 Mbps), 4-position, Variable cable type, shielded, Plug straight M12 SPEEDCON / IP67, coding: D, on Plug straight RJ45 Push Pull / IP67, cable length: Free input (0.2 ... 40.0 m)

Network cable

Network cable - NBC-MRD-R4RC SCO-PN/.../... - 1408628

<https://www.phoenixcontact.com/gb/products/1408628>



Network cable, PROFINET CAT5 (100 Mbps), EtherCAT® CAT5 (100 Mbps), 4-position, Variable cable type, shielded, Plug angled M12 SPEEDCON / IP67, coding: D, on Plug straight RJ45 Push Pull / IP67, cable length: Free input (0.2 ... 40.0 m)

Network cable - NBC-FSD/ 1,0-93B/R4RC SCO

1407544

<https://www.phoenixcontact.com/gb/products/1407544>

Network cable

Network cable - NBC-MSD-R4QC SCO-PN/.../... - 1408635

<https://www.phoenixcontact.com/gb/products/1408635>



Network cable, PROFINET CAT5 (100 Mbps), EtherCAT[®] CAT5 (100 Mbps), 4-position, Variable cable type, shielded, Plug straight M12 SPEEDCON / IP67, coding: D, on Plug straight RJ45 Push Pull / IP67, cable length: Free input (0.2 ... 40.0 m)

Network cable

Network cable - NBC-MRD-R4QC SCO-PN/.../... - 1408626

<https://www.phoenixcontact.com/gb/products/1408626>



Network cable, PROFINET CAT5 (100 Mbps), EtherCAT[®] CAT5 (100 Mbps), 4-position, Variable cable type, shielded, Plug angled M12 SPEEDCON / IP67, coding: D, on Plug straight RJ45 Push Pull / IP67, cable length: Free input (0.2 ... 40.0 m)

Network cable - NBC-FSD/ 1,0-93B/R4RC SCO

1407544

<https://www.phoenixcontact.com/gb/products/1407544>

Network cable

Network cable - NBC-FSD-R4RC SCO-PN/.../... - 1408619

<https://www.phoenixcontact.com/gb/products/1408619>



Network cable, PROFINET CAT5 (100 Mbps), EtherCAT[®] CAT5 (100 Mbps), 4-position, Variable cable type, shielded, Plug straight RJ45 Push Pull / IP67, on Socket straight M12 SPEEDCON / IP67, coding: D, cable length: Free input (0.2 ... 40.0 m)

Network cable

Network cable - NBC-FRD-R4RC SCO-PN/.../... - 1408610

<https://www.phoenixcontact.com/gb/products/1408610>



Network cable, PROFINET CAT5 (100 Mbps), EtherCAT[®] CAT5 (100 Mbps), 4-position, Variable cable type, shielded, Plug straight RJ45 Push Pull / IP67, on Socket angled M12 SPEEDCON / IP67, coding: D, cable length: Free input (0.2 .. 40.0 m)

Network cable - NBC-FSD/ 1,0-93B/R4RC SCO

1407544

<https://www.phoenixcontact.com/gb/products/1407544>

Network cable

Network cable - NBC-FSD-R4QC SCO-PN/.../... - 1408618

<https://www.phoenixcontact.com/gb/products/1408618>



Network cable, PROFINET CAT5 (100 Mbps), EtherCAT[®] CAT5 (100 Mbps), 4-position, Variable cable type, shielded, Plug straight RJ45 Push Pull / IP67, on Socket straight M12 SPEEDCON / IP67, coding: D, cable length: Free input (0.2 ... 40.0 m)

Network cable

Network cable - NBC-FRD-R4QC SCO-PN/.../... - 1408609

<https://www.phoenixcontact.com/gb/products/1408609>



Network cable, PROFINET CAT5 (100 Mbps), EtherCAT[®] CAT5 (100 Mbps), 4-position, Variable cable type, shielded, Plug straight RJ45 Push Pull / IP67, on Socket angled M12 SPEEDCON / IP67, coding: D, cable length: Free input (0.2 .. 40.0 m)

Network cable - NBC-FSD/ 1,0-93B/R4RC SCO



1407544

<https://www.phoenixcontact.com/gb/products/1407544>

Torque screwdriver

Torque screwdriver - TSD 04 SAC - 1208429

<https://www.phoenixcontact.com/gb/products/1208429>



Torque screwdriver, with preset torque of 0.4 Nm and 4 mm hexagonal drive for M12 connectors

Torque screwdriver

Torque screwdriver - TSD-M 1,2NM - 1212224

<https://www.phoenixcontact.com/gb/products/1212224>



Torque screw driver, accuracy as per EN ISO 6789 standard, adjustable from 0.3 - 1.2 Nm

Network cable - NBC-FSD/ 1,0-93B/R4RC SCO



1407544

<https://www.phoenixcontact.com/gb/products/1407544>

Adapter insert

Adapter insert - TSD-M SAC-BIT ADAPTER - 1212600

<https://www.phoenixcontact.com/gb/products/1212600>



Adapter bit for TSD-M...torque tools, E6.3-1/4" drive with 4 mm hexagon to accommodate SAC bits

Tool

Tool - SAC BIT M12-D15 - 1208432

<https://www.phoenixcontact.com/gb/products/1208432>



Nut for assembling sensor/actuator cables with M12 connector and M12 connectors for assembly, with a knurl diameter of 15 mm, for 4 mm hexagonal drive

Network cable - NBC-FSD/ 1,0-93B/R4RC SCO



1407544

<https://www.phoenixcontact.com/gb/products/1407544>

Screw plug

Screw plug - PROT-M12 MS-PA-CHAIN - 1430899

<https://www.phoenixcontact.com/gb/products/1430899>

M12 sealing cap with fixing band, for sensor cables, for free M12 sockets



Locking clip

Locking clip - SAC-M12-EXCLIP-F - 1558991

<https://www.phoenixcontact.com/gb/products/1558991>

Locking clip for the socket side of sensor/actuator cables with M12 connector and M12 connectors for assembly, for knurl diameter: 15 mm or for Allen key with a wrench size of 14 mm, prevents the disconnection of plug-in connections without tools



Phoenix Contact 2022 © - all rights reserved

<https://www.phoenixcontact.com>

PHOENIX CONTACT Ltd

Halesfield 13, Telford

Shropshire, TF7 4PG

01952 681700

info@phoenixcontact.co.uk