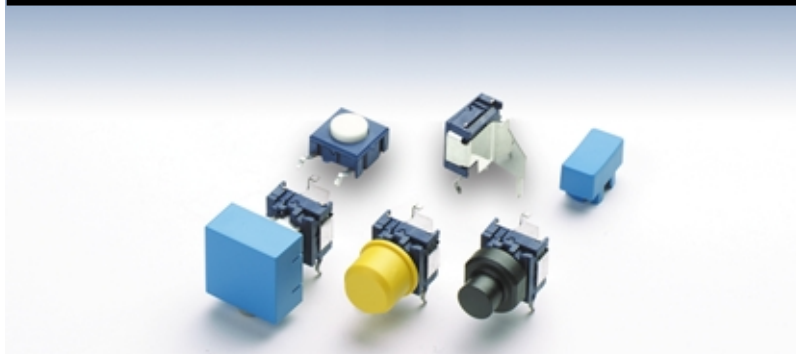
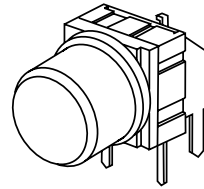


multimec® RAS + 1D/1K/1P/1S

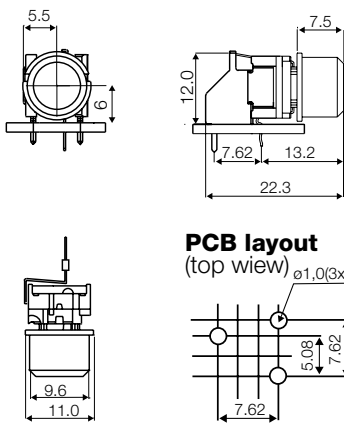


Technical Data:

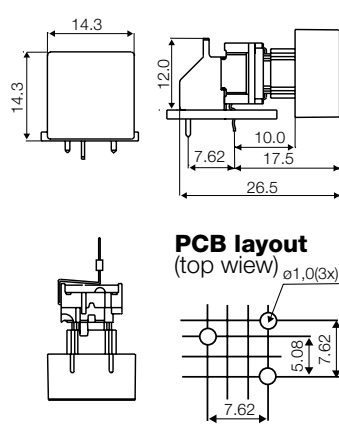


- through-hole only
- 50mA/24VDC
- single pole/momentary
- 10.000.000 operations life time
- IP67 sealing
- temperature range:
low temp: -40/+115°C

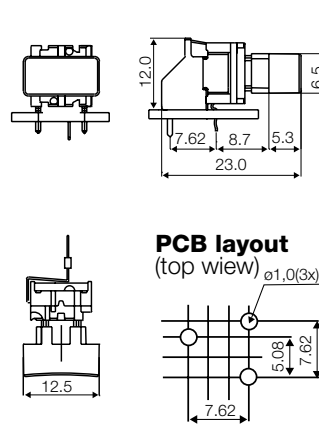
Dimensions 1D



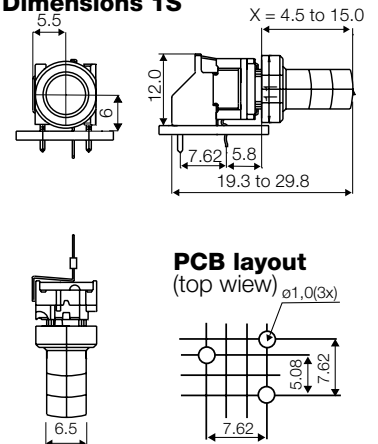
Dimensions 1K




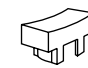
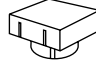
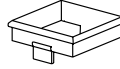
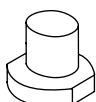
Dimensions 1P



Dimensions 1S



HOW TO ORDER

| | | | | | | | | |
|---------------|-----------------------------------|----------------------|---------------------|---|---|------------------|---|----------------------------|
| 3 F | T | L 6 | R A S | + | 1 D | | | |
| Switch | Mounting T through-hole | L 6 low temp. | Right angle support | | Cap | 00 blue | 30 ultra blue | 50 metal dark blue |
| | | | | |  | 02 green | 40 dusty blue | 53 metal light grey |
| | | | | | | 03 grey | 42 aqua blue | 57 metal dark grey |
| | | | | | | 04 yellow | 32 mint green | 58 metal bordeaux |
| | | | | | | 06 white | 33 tele grey | |
| | | | | | | 08 red | 34 melon | |
| | | | | | | 09 black | 38 noble red | |
| | | | | | 1 P | 00 blue | | |
| | | | | |  | 03 grey | | |
| | | | | | | 08 red | | |
| | | | | | | 09 black | | |
| | | | | | 1 K | 00 blue | 2 K | |
| | | | | |  | 02 green | Bezel | 03 grey |
| | | | | | | 03 grey |  | 06 white |
| | | | | | | 04 yellow | | 08 red |
| | | | | | | 06 white | | 09 black |
| | | | | | | 08 red | | |
| | | | | | | 09 black | | |
| | | | | | 1 S 0 9 | Cap black | H | X * |
| | | | | |  | | 16.0 | 8.5 |
| | | | | | | | 19.0 | 11.5 |
| | | | | | | | 22.5 | 15.0 |

Standard versions:
3FTL6RAS, 3CTL6RAS,

*Any cap height X from 8.5 to 15.0 mm is available. Please order 1S09-H, where H = X+7.5 mm
Min. order Qty for custom heights is 2.000 pcs. A start-up charge will apply.
3CTL6 also available as right angle switch 3CTL6RAS. Please see multimec basic switch modules.

Ordering example: 3FTL6RAS + 1K0016 + 2K03