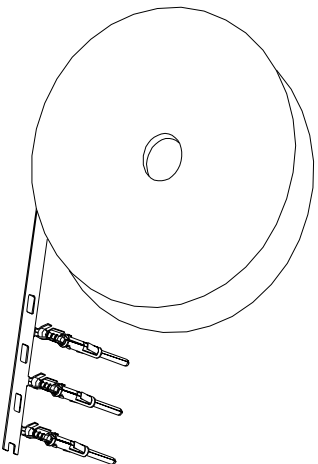


REVISIONS				
REV	ECO	DESCRIPTION	DATE	BY APPR
B1	-	RELEASED DRAWING	JAN-18-2014	ARROW TOMMY

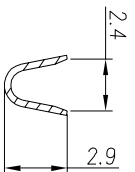


CONTACT ORIENTATION ON ROLL

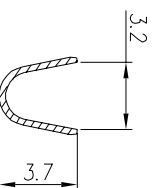
NOTES : (UNLESS OTHERWISE SPECIFIED)

1. MATERIAL :
 - 1.1 CONTACT BODY : COPPER ALLOY.
 - 1.2 OUTER SPRING : STAINLESS STEEL.
2. SPECIFICATIONS :
 - 2.1 CURRENT RATING : 13A MAX.
 - 2.2 TERMINATION TYPE : CRIMPING.
 - 2.3 WIRE RANGE : 16-18AWG.
 - 2.4 WIRE INSULATION DIA(MAX): \varnothing 3.2mm.
3. ROHS COMPLIANT.
4. ALL DIMENSIONS ARE FOR REFERENCE USE ONLY.
5. AVAILABLE TOOLS :
 - 5.1 HAND CRIMPER : MFX-3954.
 - 5.2 CRIMP APPLICATOR : MFX-3957.
 - 5.3 EXTRACTION TOOL : QXRT16.

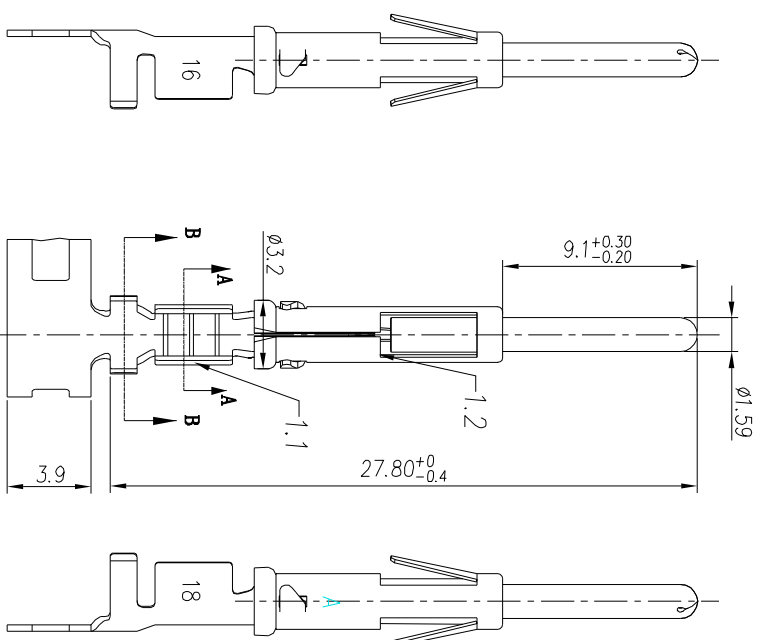
P/N	CONTACT PLATING(MATING AREA)
SP16M1T	TIN PLATING OVER NICKEL
SP16M1F	GOLD FLASH PLATING OVER NICKEL
SP16M1G10	10 μ GOLD PLATING OVER NICKEL
SP16M1G15	15 μ GOLD PLATING OVER NICKEL
SP16M1G30	30 μ GOLD PLATING OVER NICKEL



SECTION A-A



SECTION B-B



QUANTITY	PART NUMBER	DESCRIPTION	ITER
MATERIALS LIST			

UNLESS OTHERWISE SPECIFIED	SIGNATURES	DATE	
1) ALL DIMENSIONS ARE IN MILLIMETERS.	DRAWN: ARROW	JAN-17-2014	
2) Tolerances are as follows:	CHECKED:		
1 P1, DEC 20 01 20	ENGINEER:		
3 P1, DEC 20 01 20	APPROVAL:		
3) Note reference =	CUSTOMER:		

PROCESS SPECIFICATIONS:	THIS DRAWING IS SUPPLIED FOR SPECIFICATIONS AND PERFORMANCE DATA. THE INFORMATION ON THIS DRAWING IS FOR INFORMATION ONLY. THE INFORMATION ON THIS DRAWING IS NOT TO BE USED FOR REPRODUCTION OR REPRODUCTION IN ANY MANNER. ALL DIMENSIONS ARE IN MILLIMETERS.	SIZE	TYPE	DWG NO.	REVISION
NEXT ASST:		B	C-	SP16M1XX	B1
		SCALE	NONE		SHEET 1 OF 1

ECO-MATE PIN CONTACT
STAMPED, 16-18AWG, SIZE 16

Amphenol

Shie Systems - www.amphenol-slie.com
44724 Monkey Drive
Clinton Township, MI 48038