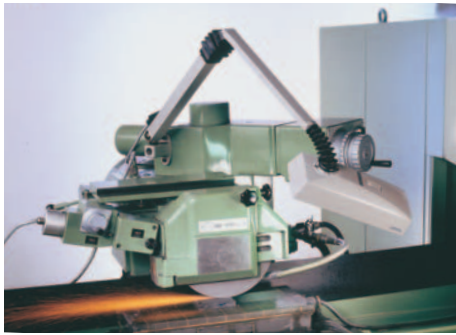


WD/EBL: WATERPROOF FLUORESCENTS



WD-213

The WD-213 and “head only” EBL-213 are constructed with cast aluminum heads to resist harsh metalworking machinery conditions.

Both lights are IP54 splash protected, and two new generation 13-watt compact fluorescent lamps offer bright (1800 lumens) and even illumination. These lamps provide 10,000 hours of lamp life, high energy efficiency and a balanced 5000K color temperature.

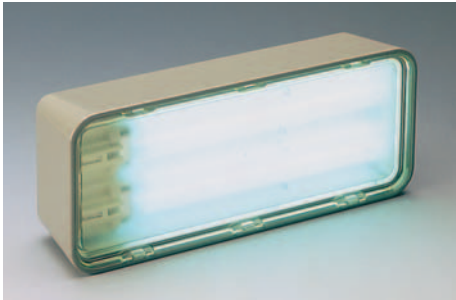
FEATURES:

WD-213:

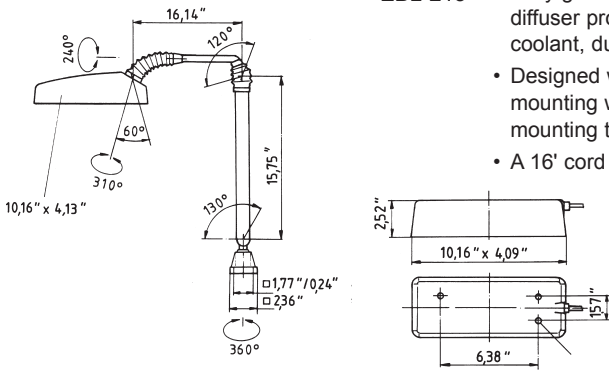
- The articulating arm and universal base allows users the option to mount the light on a vertical or horizontal surface.
- A high impact polycarbonate diffuser protects the fluorescent lamps from coolant, dust, dirt, and chips.
- Gasketing of the diffuser, switch, joints, and base prevents damage to the lighting fixture.

“Head only” EBL-213:

- Fully gasketed high impact polycarbonate diffuser protects the fluorescent lamps from coolant, dust, dirt, and chips.
- Designed with three pre-tapped holes for easy mounting with M6 screws (not provided) or for mounting to an optional swivel bracket.
- A 16' cord is included.



EBL-213



ORDERING INFORMATION:

WD-213, 120V, w/34" reach 108-400-001
Includes: On/off push switch (in head), two 13W, 5000K, compact fluorescent lamps, and 10' cord with grounded plug.

EBL-213, 120V 108-070-000
Includes: 16' cord without plug, no switch, and two 13W compact fluorescent lamps.

MOUNTING OPTIONS:

Swivel Bracket (EBL) 203-081-019
Clamp, 0"-2.75" (WD) 190-007-019
Clamp, 2.5"-5.3" (WD) 190-033-019

REPLACEMENT PARTS:

Diffuser, Acrylic, Semi-Clear, Tinted Yellow (WD, EBL) 225-234-019
Diffuser, Polycarbonate, Semi-Clear, Colorless (WD, EBL) 225-234-029
Diffuser, Polyurethane, Semi-Clear, Tinted Yellow (WD, EBL) 225-234-039
Lamp, Fluorescent, PL-S 13W, 5000K (WD, EBL) 950-900-039

PAL: HAND-HELD FLUORESCENT

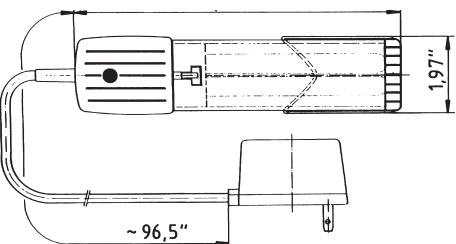


PAL-113

The PAL-113 (Portable Advantage Light) is ideal for all hand-held inspection needs.

FEATURES:

- A durable acrylic shield and rubber “shock guard” cap protects the lamps from dust or breakage.
- A removable reflector built into the shield guides the light in one direction to provide greater efficiency.
- A new internal lamp guide makes changing lamps easy.
- A hook built into the end of the shield makes it convenient to hang the PAL in any location.
- A 13-watt compact fluorescent lamp gives you high efficiency, excellent color rendition and 10,000 hours of lamp life. Replacement lamps are available.
- A 10' cord between the PAL and the in-line ballast allows for easy positioning.
- An on/off rocker switch is built into the handle.
- The light stays cool to the touch and is ideal for use in confined spaces.
- UL and CUL listed.



ORDERING INFORMATION:

PAL-113, 120V 108-540-000
Includes: 13W, 5000K, compact fluorescent lamp, 10' cord with in-line ballast and on/off rocker switch in handle.

REPLACEMENT PARTS:

Acrylic Shield, Clip, Shock Guard Cap 205-652-049

ACCESSORIES:

Mounting Clip 208-136-019
Mounting Clip, Magnetic 208-128-019