

REV	DATE	DRAWN/CHKD	DESCRIPTION
A	10JUL2012	MGG/JEM	INITIAL RELEASE

NOTES:  
A. SAME AS K2-3005-XX EXCEPT PACKAGED WITH KEEPER K4-2338-XX.

SCALE  
1:1

DATE  
10JUL2012

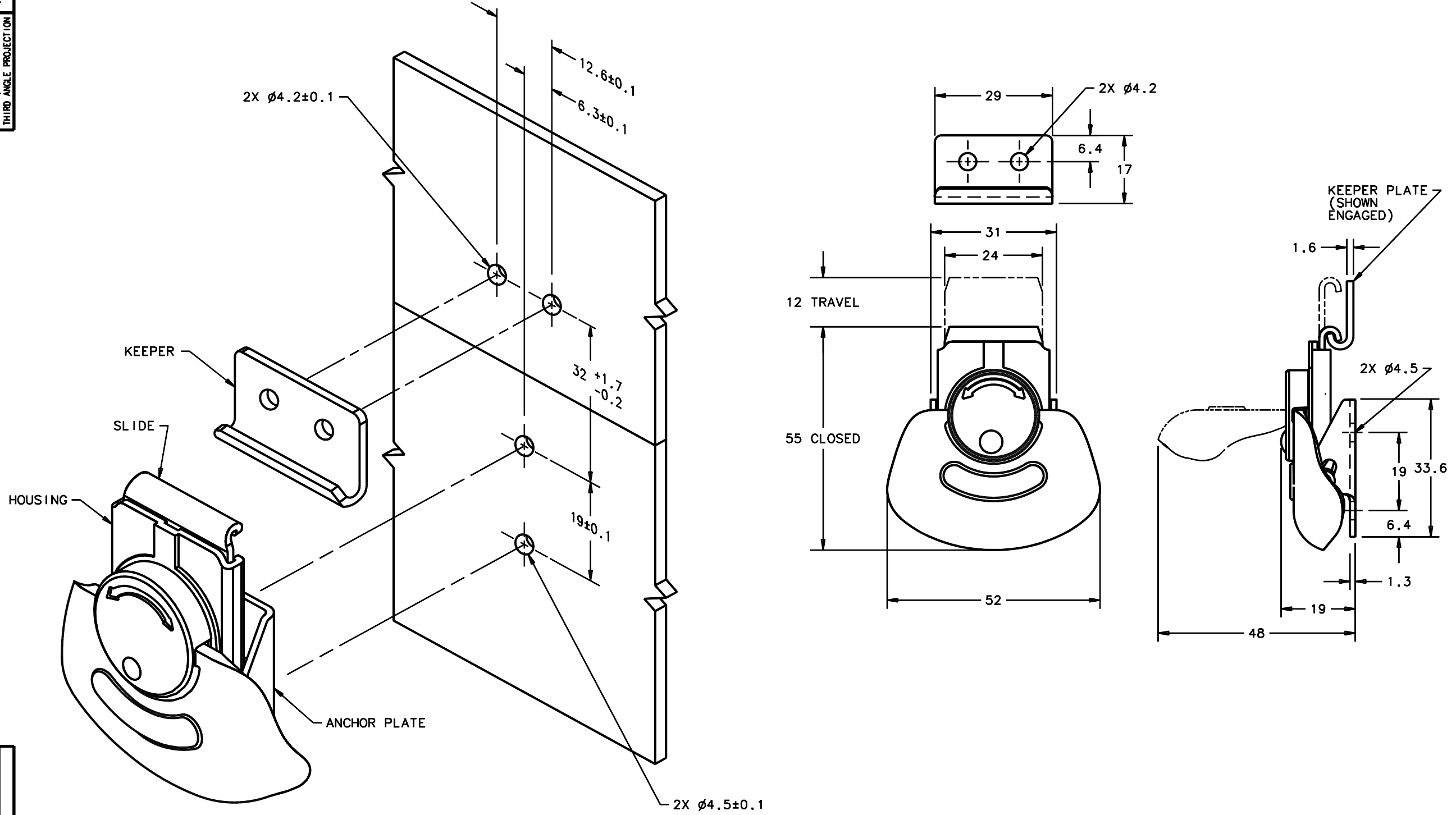
DRAWN/CHKD  
MGG/JEM

THIRD ANGLE PROJECTION

B PAPER SIZE

MILLIMETRES

ALL DIMENSIONS WITHOUT TOLERANCES ARE FOR REFERENCE ONLY.



PART NUMBER	ITEM	MATERIAL	FINISH	PART NUMBER	ITEM	MATERIAL	FINISH
K2-99-21-51	ASSEMBLY	-	-	K2-99-21-89	ASSEMBLY	-	-
	ANCHOR PLATE	304 STAINLESS STEEL	PASSIVATED		ANCHOR PLATE	304 STAINLESS STEEL	BLACK POWDER COATED
	WING	304 STAINLESS STEEL	PASSIVATED		WING	STEEL	BLACK POWDER COATED
	HOUSING	304 STAINLESS STEEL	PASSIVATED		HOUSING	STEEL	BLACK POWDER COATED
	LOWER CAM	304 STAINLESS STEEL	PASSIVATED		LOWER CAM	STEEL	BLACK POWDER COATED
	SLIDE	304 STAINLESS STEEL	PASSIVATED		SLIDE	HARDENED STEEL	BLACK POWDER COATED
	UPPER CAM	316 STAINLESS STEEL	PASSIVATED		UPPER CAM	STEEL	BLACK POWDER COATED
	CAM RIVET	302 STAINLESS STEEL	PASSIVATED		CAM RIVET	302 STAINLESS STEEL	BLACK POWDER COATED
	SPRING	302 STAINLESS STEEL	PASSIVATED		SPRING	302 STAINLESS STEEL	BLACK POWDER COATED
	ANCHOR PLATE RIVET	305 STAINLESS STEEL	PASSIVATED		ANCHOR PLATE RIVET	305 STAINLESS STEEL	PASSIVATED
	INBOARD SPRING	SILICONE RUBBER	BLACK		INBOARD SPRING	SILICONE RUBBER	BLACK
	KEEPER	304 STAINLESS STEEL	PASSIVATED		KEEPER	STEEL	BLACK POWDER COATED