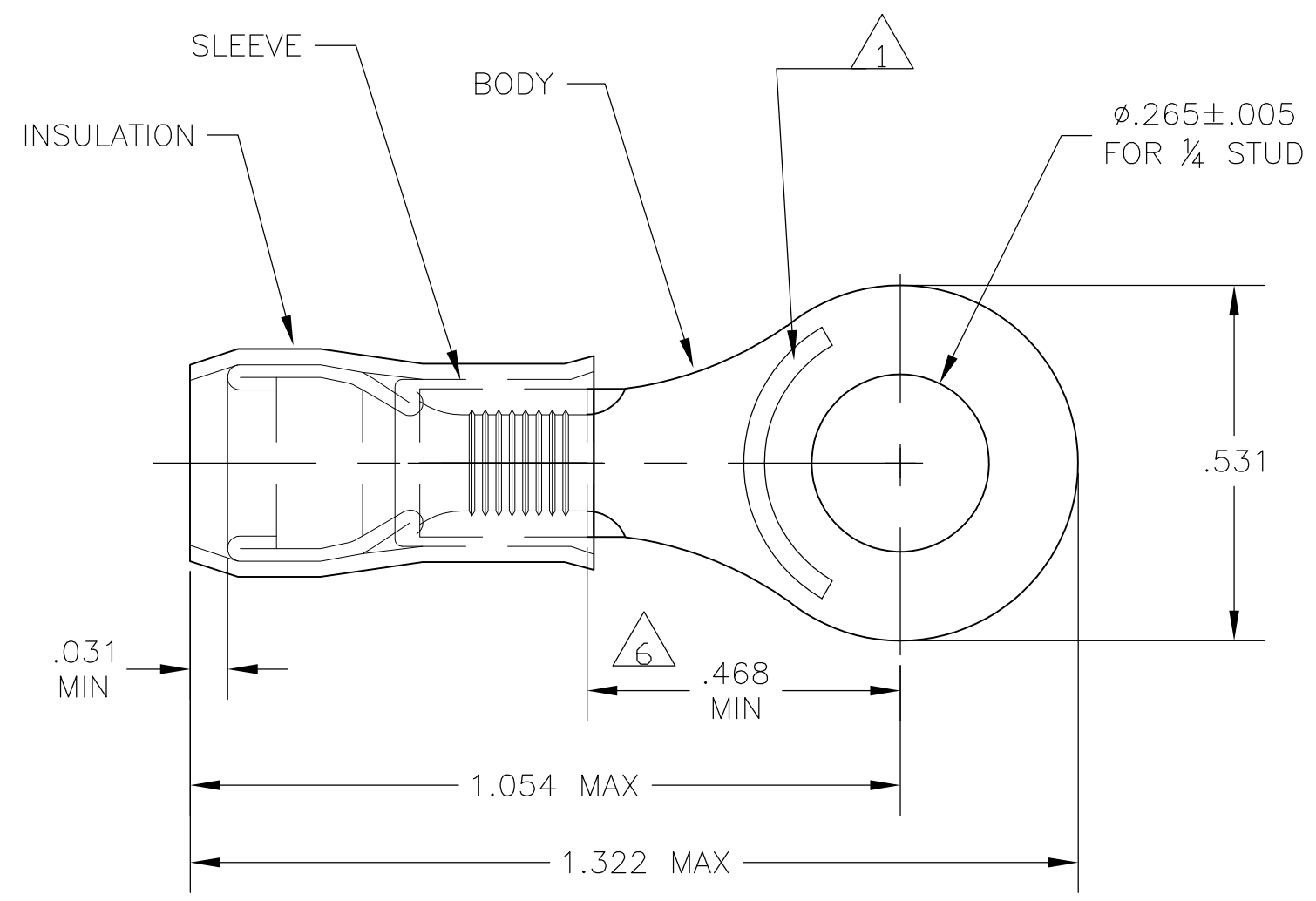


THIS DRAWING IS UNPUBLISHED. RELEASED FOR PUBLICATION  
 © COPYRIGHT - By - ALL RIGHTS RESERVED.

LOC	DIST	REVISIONS					
		P	LTR	DESCRIPTION	DATE	DWN	APVD
G	14		K2	REVISED PER ECO-11-004587	11MAR11	RK	HMR



- 1 STAMP "AMP 12-10\*" APPROX AS SHOWN
- 2 WIRE INSULATION DIA: .150-.250
- 3 TONGUE MATERIAL THK: .040±.002
- 4 BODY: TIN PLATE .000100 MIN EXT THK PER ASTM B545
- 5 BODY & SLEEVE- CU PER ASTM B152  
INSULATION - NYLON, COLOR - YELLOW
- 6 APPLIES FROM EDGE OF METAL WIRE BARREL TO CENTER OF STUD HOLE.
- 7 MEETS MS25036-157, CLASS 1 & 2
- 8 MEETS MS25036-157, CLASS 2

SUPERSEDED BY 8-35110-1	25	LOOSE PIECE, BLS	9-35110-4
SUPERSEDED BY 8-35110-1	5	LOOSE PIECE, BLS	8-35110-5
SUPERSEDED BY 8-35110-1	25	LOOSE PIECE, BAG	8-35110-4
	100	LOOSE PIECE, BOX	8-35110-1
	2500	ON TAPE & REEL	8 2-35110-1
	500	LOOSE PIECE	7 35110
QTY		PACKAGE TYPE	PART NO

CUSTOMER SERVICE SYSTEMS		MAX RECOMMENDED OPERATING TEMPERATURE: 105°C MAX
FOR ADDITIONAL PRODUCT INFORMATION OR COPIES OF DRAWINGS AND TECHNICAL DOCUMENTS	PRODUCT INFORMATION CENTER 1-800-522-6752	VOLTAGE RATING: 300 VOLT MAX
FOR APPLICATION TOOLING INFORMATION	TOOLING ASSISTANCE CENTER 1-800-722-1111	CIRCULAR MIL AREA: 2.62-6.64mm² [5,180-13,100] STRANDED OR SOLID
FOR ORDER ENTRY	1-800-526-5142	THIS DRAWING IS A CONTROLLED DOCUMENT FOR AMP INCORPORATED. IT IS SUBJECT TO CHANGE AND THE CONTROLLING ENGINEERING ORGANIZATION SHOULD BE CONTACTED FOR THE LATEST REVISION.

THIS DRAWING IS A CONTROLLED DOCUMENT.	
DIMENSIONS: INCHES	TOLERANCES UNLESS OTHERWISE SPECIFIED:
	0 PLC ± -
	1 PLC ± -
	2 PLC ± -
	3 PLC ± .008
	4 PLC ± -
	ANGLES ± -
MATERIAL	FINISH
5	4

DWN JR RUTH 18DEC09	<b>STE</b> TE Connectivity		
CHK T MICHIELUTTI 18DEC09			
APVD T MICHIELUTTI 18DEC09	NAME TERMINAL, RING TONGUE, PIDG WIRE SIZE: 12-10 AWG		
PRODUCT SPEC	SIZE	CAGE CODE	DRAWING NO
APPLICATION SPEC	A3	00779	C-35110
WEIGHT	CUSTOMER DRAWING		RESTRICTED TO
	SCALE	SHEET	REV
	4:1	1 OF 1	K2