



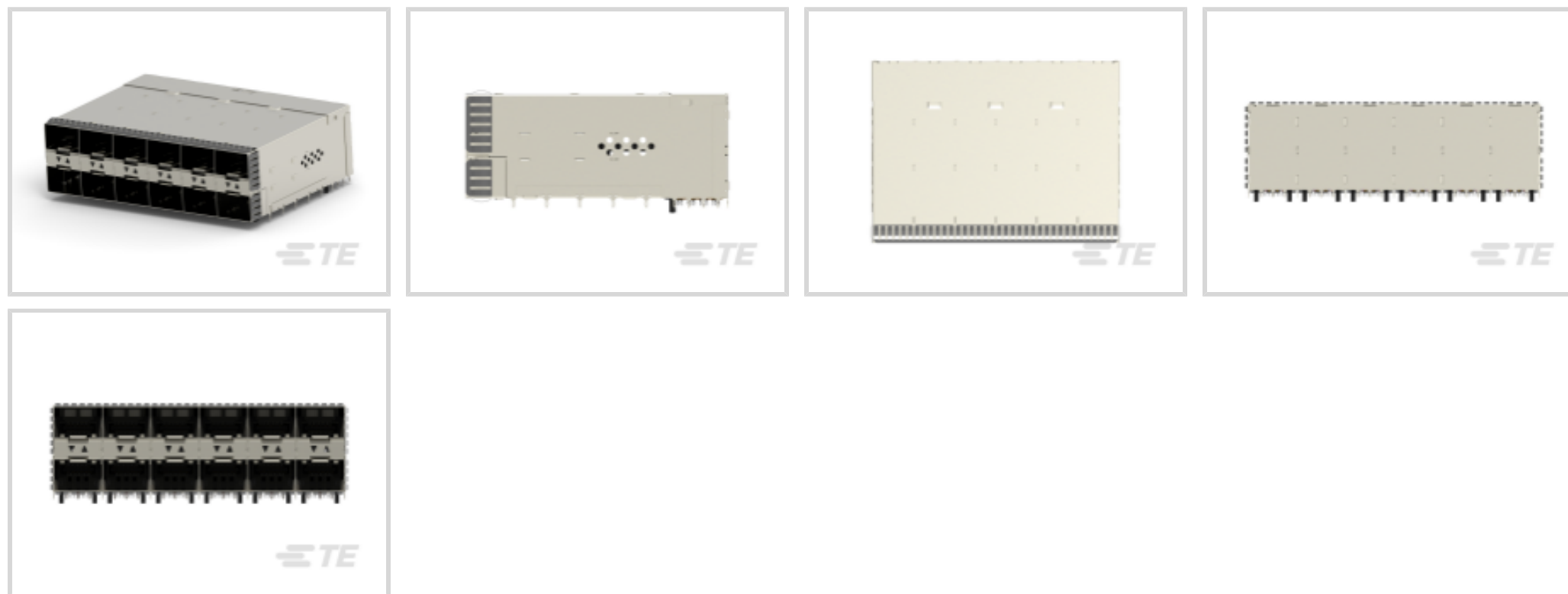
SFP56

TE Internal #: 2-2347721-1

zSFP+ Stacked (SFP56), Cage Assembly with Integrated Connector,  
 .6mm [.018in] Centerline, Signal

[View on TE.com >](#)

Connectors > Pluggable IO Connectors & Cages > SFP56 Stacked Cage Assembly: EMI Spring



Form Factor: **zSFP+ Stacked (SFP56)**

Pluggable I/O Product Type: **Cage Assembly with Integrated Connector**

Centerline (Pitch): **.6 mm [.018 in]**

Circuit Application: **Signal**

Operating Temperature Range: **-55 – 105 °C [-67 – 221 °F]**

[All SFP56 Stacked Cage Assembly: EMI Spring \(48\)](#)

**Features**

**Product Type Features**

Cage Type	Stacked
Form Factor	zSFP+ Stacked (SFP56)
Pluggable I/O Product Type	Cage Assembly with Integrated Connector

**Configuration Features**

Number of Positions	20
Number of Ports	12
Port Matrix Configuration	2 x 6

**Electrical Characteristics**

Data Rate (Max)	56 Gb/s
-----------------	---------

**Termination Features**

Termination Method to PCB	Through Hole - Press-Fit
---------------------------	--------------------------

**Housing Features**

Centerline (Pitch)	.6 mm[.018 in]
--------------------	----------------



### Usage Conditions

Operating Temperature Range	-55 – 105 °C[-67 – 221 °F]
-----------------------------	----------------------------

### Operation/Application

Pluggable I/O Applications	SFP28
Circuit Application	Signal

### Other

Included Lightpipe	Yes
EMI Containment Feature Type	Internal/External EMI Springs

### Product Compliance

[For compliance documentation, visit the product page on TE.com>](#)

EU RoHS Directive 2011/65/EU	Compliant
EU ELV Directive 2000/53/EC	Not Yet Reviewed
China RoHS 2 Directive MIIT Order No 32, 2016	No Restricted Materials Above Threshold
EU REACH Regulation (EC) No. 1907/2006	Current ECHA Candidate List: JAN 2025 (247) Not Yet Reviewed
Halogen Content	Low Bromine/Chlorine - Br and Cl < 900 ppm per homogenous material. Also BFR /CFR/PVC Free
Solder Process Capability	Not reviewed for solder process capability

#### Product Compliance Disclaimer

This information is provided based on reasonable inquiry of our suppliers and represents our current actual knowledge based on the information they provided. This information is subject to change. The part numbers that TE has identified as EU RoHS compliant have a maximum concentration of 0.1% by weight in homogenous materials for lead, hexavalent chromium, mercury, PBB, PBDE, DBP, BBP, DEHP, DIBP, and 0.01% for cadmium, or qualify for an exemption to these limits as defined in the Annexes of Directive 2011/65/EU (RoHS2). Finished electrical and electronic equipment products will be CE marked as required by Directive 2011/65/EU. Components may not be CE marked. Additionally, the part numbers that TE has identified as EU ELV compliant have a maximum concentration of 0.1% by weight in homogenous materials for lead, hexavalent chromium, and mercury, and 0.01% for cadmium, or qualify for an exemption to these limits as defined in the Annexes of Directive 2000/53/EC (ELV). Regarding the REACH Regulations, TE's information on SVHC in articles for this part number is still based on the European Chemical Agency (ECHA) 'Guidance on requirements for substances in articles' (Version: 2, April 2011), applying the 0.1% weight on weight concentration threshold at the finished product level. TE is aware of the European Court of Justice ruling of September 10th, 2015 also known as O5A (Once An Article Always An Article) stating that, in case of 'complex object', the threshold for a SVHC must be applied to both the product as a whole and simultaneously to each of the articles forming part of its composition. TE has evaluated this ruling based on the new ECHA "Guidance on requirements for substances in articles" (June 2017, version 4.0) and will be updating its statements accordingly.

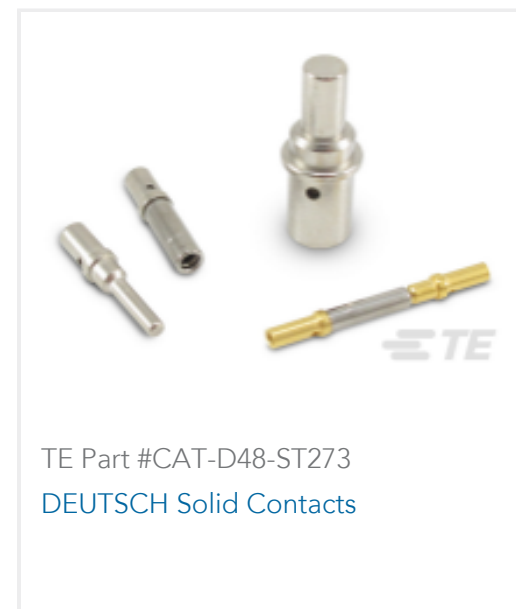
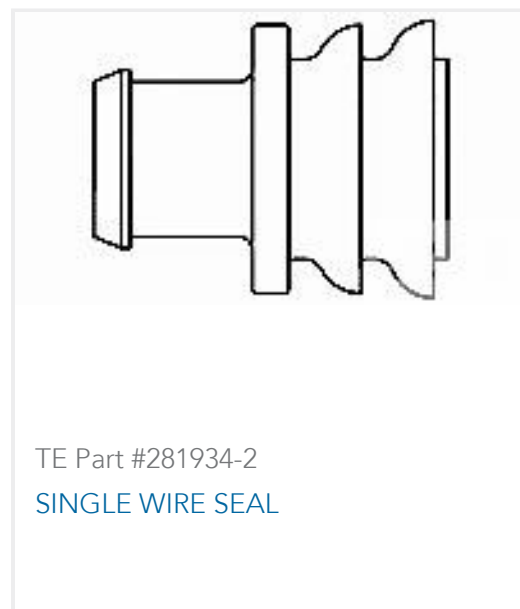
### Compatible Parts



### Also in the Series | SFP56



### Customers Also Bought



### Documents

[CAD Files](#)

[3D PDF](#)

[3D](#)

[Customer View Model](#)

[ENG\\_CVM\\_CVM\\_2-2347721-1\\_A.2d\\_dxf.zip](#)

English



**Customer View Model**

[ENG\\_CVM\\_CVM\\_2-2347721-1\\_A.3d\\_igs.zip](#)

English

**Customer View Model**

[ENG\\_CVM\\_CVM\\_2-2347721-1\\_A.3d\\_stp.zip](#)

English

By downloading the CAD file I accept and agree to the [Terms and Conditions](#) of use.

**Product Specifications**

[Product Specification](#)

English