

TM2AMI2HT

analog input module M238 - 2 inputs voltage/
current high level- non differential



Main

Range of product	Modicon M238 logic controller
Product or component type	Analog input module
Analogue input number	2
Input level	High level
Analogue input type	Current 4...20 mA non differential Voltage 0...10 V non differential
Cross talk	<= 2 LSB

Complementary

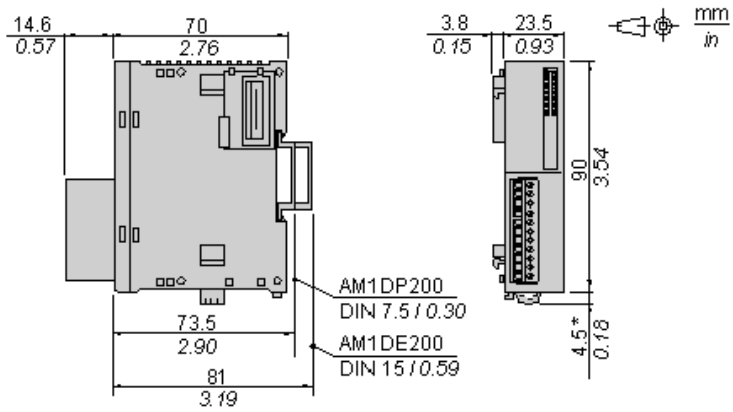
Range compatibility	Advantys OTB Twido
Analogue input resolution	12 bits
LSB value	2.5 mV voltage voltage 4.8 µA current current
Permissible continuous overload	13 V voltage 40 mA current
Input impedance	>= 1 MOhm voltage 10 Ohm current
Sampling duration	<= 10 ms
Acquisition period	10 ms per channel + 1 controller cycle time
Measurement error	+/- 0.2 % of full scale 25 °C
Temperature coefficient	+/-0.006 %FS/°C
Repeat accuracy	+/-0.5 %FS
Non-linearity	+/- 0.2 %FS
Total error	+/-1 %FS
Type of cable	Shielded cable
Insulation between channel and internal logic	Photocoupler
Supply	External supply
[Us] rated supply voltage	24 V DC
Supply voltage limits	20.4...28.8 V
Electrical connection	1 removable screw terminal block
Current consumption	40 mA 24 V DC external 50 mA 5 V DC internal
Product weight	0.085 kg

Environment

Dielectric strength	500 V between the I/O and internal logic 500 V between the I/O and the external supply circuit
Width	23.5 mm
Depth	70 mm
Height	90 mm
RoHS EUR status	Compliant
RoHS EUR conformity date	0830

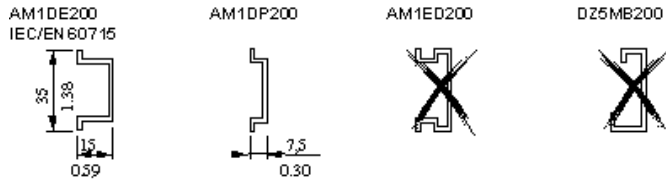
Analog Input Module (2-channel, Voltage/Current)

Dimensions



NOTE: * 8.5 mm (0.33 in) when the clip-on lock is pulled out.

DIN Rail Mounting

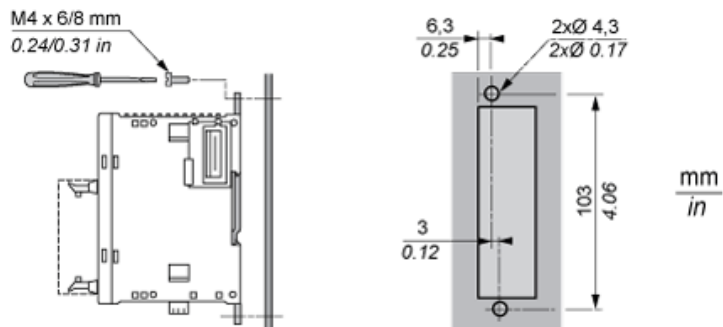


Rail depth	Catalogue part number
15 mm (0.59 in.)	AM1DE200
7,5 mm (0.30 in.)	AM1DP200

NOTE: Do not use AM1ED200 and DZ5MB200

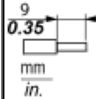
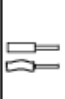
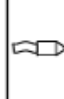
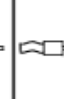
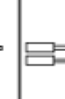


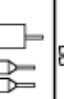
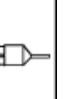
Module Mounting on a Panel Surface

Mounting Hole Layout



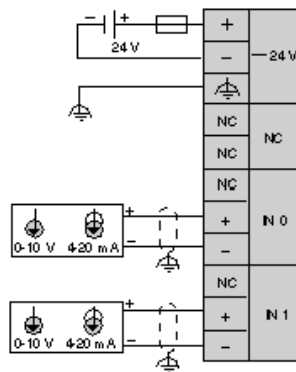
Wiring Requirements

Cable Types and Wire Sizes for Removable Screw Terminal Block

								
	mm ²	0,14...1,5	0,25...0,5	0,25...1,5	0,14...0,5	0,14...0,75	0,25...0,34	0,5
	AWG	26...16	24...20	24...16	26...20	26...18	24...22	20

Analog Input Module (2-channel, Voltage/Current)

Wiring Diagram



The (-) poles of inputs IN0 and IN1 are connected internally.