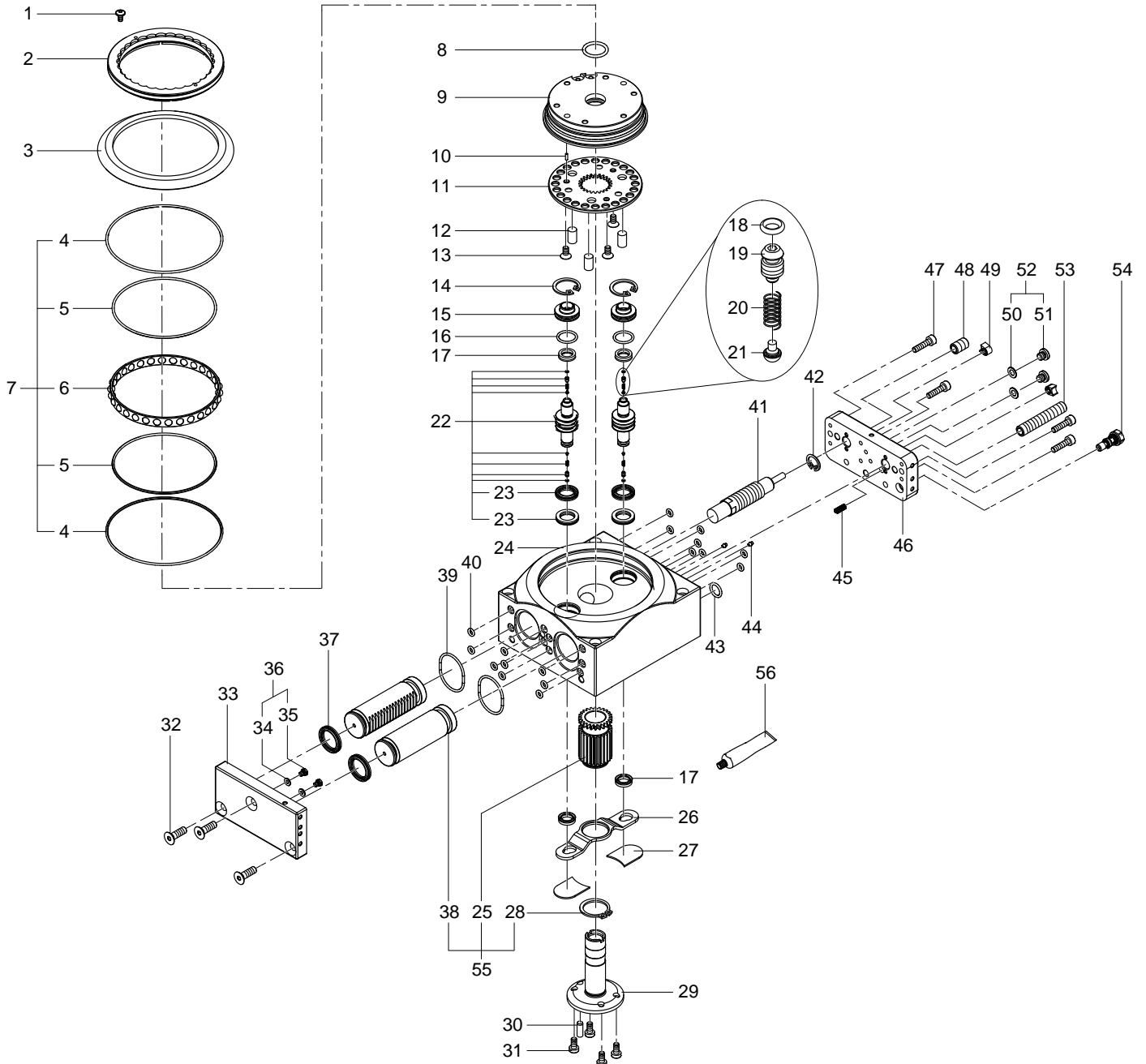


548076 DHTG-65-2-A Rotary indexing table - Series from 08-2015



548076 DHTG-65-2-A Rotary indexing table - Series from 08-2015

Pos.	Part no.	Type	Note	Qty.	Unit
A	736119	DHTG-65-DYNAMISCH Set of wearing parts	Spare parts: 8, 14, 16, 17, 18, 19, 20, 21, 23, 28, 37, 56 Replacing the wearing parts	1	PC
1	218261	DIN 921-M3X6-5.8 Flat Head Screw	Tightening torque 0.6 Nm / 0.4 lbf ft	1	PC
2	742852	DHTG- 65 Clamping ring		1	PC
3	8080726	DHTG-65 Disc seal	Not included in wearing-parts kit	1	PC
4			Not available separately, see position 7	2	PC
5			Not available separately, see position 7	2	PC
6			Not available separately, see position 7	1	PC
7	742856	DHTG- 65 Bearing module		1	PC
8			Not available separately, see position A Grease using during assembly. See position 56	1	PC
9	742860	DHTG- 65 Plate-1		1	PC
10			Not available	1	PC
11			Not available separately, see position 997	1	PC
12	743700	DIN 6325-6M6X10 Cylindrical pin		3	PC
13	348990	DIN 7991-M4X8-8.8 Countersunk screw	Tightening torque 2 Nm / 1.5 lbf ft	3	PC
14	401235	DIN 472-18X1 Retaining ring		2	PC
15	742884	DHTG- 65 Cover		2	PC
16			Not available separately, see position A Grease using during assembly. See position 56	2	PC
17			Not available separately, see position A Grease using during assembly. See position 56	4	PC
18			Not available separately, see position 22+999 Grease using during assembly. See position 56	4	PC
19	5277559	DHTG-65/90/140/220 Stop pin		4	PC
20			Not available separately, see position 22+999	4	PC
21			Not available separately, see position 22+999 Grease using during assembly. See position 56	4	PC
22	742899	DHTG- 65 Bolt	Grease using during assembly. See position 56	2	PC
23			Not available separately, see position 22+999 Grease using during assembly. See position 56	4	PC
24			Not available	1	PC
25	742868	DHTG- 65 Pinion		1	PC
26	742876	DHTG- 65 Sheet metal		1	PC
27	742880	DHTG- 65 Covering		2	PC
28	200624	DIN 471-18X1,2 Retaining ring		1	PC
29	742872	DHTG- 65 Flange		1	PC

Pos.	Part no.	Type	Note	Qty.	Unit
30	219372	DIN 6325-4M6X12 Cylindrical pin		1	PC
31	216899	DIN 7984-M4X8-8.8 Socket head screw	Tightening torque 1.2 Nm / 0.9 lbf ft	4	PC
32	216415	DIN 7991-M5X16-8.8 Countersunk screw	Tightening torque 1.5 Nm / 1.1 lbf ft	3	PC
33	5279592	DHTG-65 Plate module		1	PC
34		OK-M3 Sealing ring	Not available separately, see position 36	1	PC
35		B-M3-S9 Plug screw	Tightening torque 0.5 Nm / 0.4 lbf ft Not available separately, see position 36	1	PC
36	30979	B-M3-S9 Blanking plug		2	PC
37			Not available separately, see position A Grease using during assembly. See position 56	2	PC
38			Not available separately, see position 55	2	PC
39			Not available separately, see position 998	2	PC
40			Not available separately, see position 998	17	PC
41	367509	YSRD- 8- 8-C Shock absorber		1	PC
42	205304	DIN 472-12X1 Retaining ring		1	PC
43			Not available separately, see position 998	1	PC
44	371073	2,6X3,7 Buffer element		2	PC
45			Not available separately, see position 998	1	PC
46	2757663	DHTG-65 Plate module		1	PC
47	200664	ISO 4762-M4X16-8.8 Socket head screw	Tightening torque 2.9 Nm / 2.1 lbf ft	4	PC
48			Not available separately, see position 997	1	PC
49	699254	DGSL-10 Clamping component	Tightening torque 0.8 Nm / 0.6 lbf ft	2	PC
50		OK-M5 Sealing ring	Not available separately, see position 52	1	PC
51		B-M5 B Plug screw	Tightening torque 1.5 Nm / 1.1 lbf ft Not available separately, see position 52	1	PC
52	174308	B-M5-B Blanking plug		2	PC
53			Not available separately, see position 997	1	PC
54	116740	GRLA-M5-B Hollow bolt module	Tightening torque 1.5 Nm / 1.1 lbf ft	1	PC
55	742864	DHTG- 65 Pinion module		1	PC
56	394819	LUB-E1-SILIKONFREI-20ML Lubricating grease		1	PC
99 7	548098	DADM-CK-65-2 Indexing conversion kit	Please order this position from the catalogue as an accessory.	1	PC
99 8	736115	DHTG-65-STATISCH Set of wearing parts		1	PC