



AMPMODU

TE Part # 2-1393531-6

TE Internal #: 2-1393531-6

[View on TE.com >](#)

Connectors > PCB Connectors > Wire-to-Board Connectors > FFC, FPC & Ribbon Connectors > Ribbon Cable Connectors



Connector System: **Wire-to-Board**

Number of Positions: **10**

Centerline (Pitch): **2.54 mm [.1 in]**

Termination Method to Wire & Cable: **Insulation Displacement Crimp (IDC)**

Row-to-Row Spacing: **2.54 mm [.1 in]**

Features

Product Type Features

Product Type	Connector
Wire/Cable Type	Ribbon Cable
Connector System	Wire-to-Board
Row-to-Row Spacing	2.54 mm[.1 in]
Connector Style	Receptacle
Connector & Contact Terminates To	Wire & Cable

Configuration Features

Number of Positions	10
Number of Rows	2

Termination Features

Termination Method to Wire & Cable	Insulation Displacement Crimp (IDC)
------------------------------------	-------------------------------------

Mechanical Attachment

Mating Alignment Type	Center, Dual Polarizing Bar
Mating Connector Lock	Without
Connector Mounting Type	Cable Mount (Free-Hanging)

Housing Features

Housing Color	Gray
Centerline (Pitch)	2.54 mm[.1 in]

Operation/Application



Circuit Application	Signal
---------------------	--------

Product Compliance

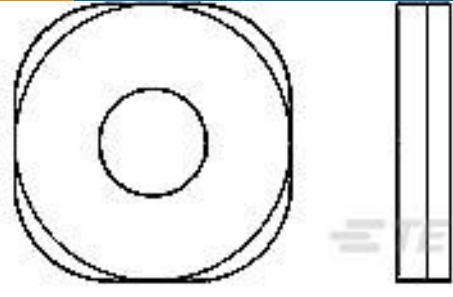
[For compliance documentation, visit the product page on TE.com>](#)

EU RoHS Directive 2011/65/EU	Compliant
EU ELV Directive 2000/53/EC	Compliant
China RoHS 2 Directive MIIT Order No 32, 2016	No Restricted Materials Above Threshold
EU REACH Regulation (EC) No. 1907/2006	Current ECHA Candidate List: JAN 2019 (197) Candidate List Declared Against: JAN 2019 (197)
Halogen Content	Low Halogen - Br, Cl, F, I < 900 ppm per homogenous material. Also BFR/CFR/PVC Free
Solder Process Capability	Not applicable for solder process capability

Product Compliance Disclaimer

This information is provided based on reasonable inquiry of our suppliers and represents our current actual knowledge based on the information they provided. This information is subject to change. The part numbers that TE has identified as EU RoHS compliant have a maximum concentration of 0.1% by weight in homogenous materials for lead, hexavalent chromium, mercury, PBB, PBDE, DBP, BBP, DEHP, DIBP, and 0.01% for cadmium, or qualify for an exemption to these limits as defined in the Annexes of Directive 2011/65/EU (RoHS2). Finished electrical and electronic equipment products will be CE marked as required by Directive 2011/65/EU. Components may not be CE marked. Additionally, the part numbers that TE has identified as EU ELV compliant have a maximum concentration of 0.1% by weight in homogenous materials for lead, hexavalent chromium, and mercury, and 0.01% for cadmium, or qualify for an exemption to these limits as defined in the Annexes of Directive 2000/53/EC (ELV). Regarding the REACH Regulations, TE's information on SVHC in articles for this part number is still based on the European Chemical Agency (ECHA) 'Guidance on requirements for substances in articles' (Version: 2, April 2011), applying the 0.1% weight on weight concentration threshold at the finished product level. TE is aware of the European Court of Justice ruling of September 10th, 2015 also known as O5A (Once An Article Always An Article) stating that, in case of 'complex object', the threshold for a SVHC must be applied to both the product as a whole and simultaneously to each of the articles forming part of its composition. TE has evaluated this ruling based on the new ECHA "Guidance on requirements for substances in articles" (June 2017, version 4.0) and will be updating its statements accordingly.

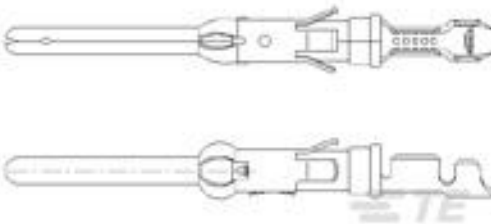
Customers Also Bought



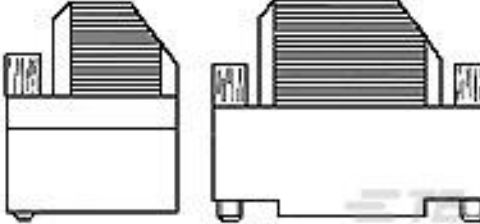
TE Part #5-1393561-1
V42254A6207L 1=SUB D
KABELTUE



TE Part #4-1393560-3
V42254A4000D 9=SUB D
BUEGEL



TE Part #163085-8
,062 DIA PIN ASS 3+



TE Part #1393738-1
V42254A6000G109=SUB D
GEHAEUSE



TE Part #926209-3
LOCKING CLIP HSG.



TE Part #3-1393531-4
V23535A3280C341=BKMOD422UNIV-MNL SPLIT ST
FEDER



TE Part #926899-3



TE Part #926884-3
UNIV.M-M-L.SOCKET



TE Part #2-1393531-9
V23535A3280C161=BKMOD422V23535A3280C201=BKMOD422
FEDER



TE Part #3-1393531-1
V23535A3280C201=BKMOD422
FEDER

Documents

Product Drawings

[V23535A3280C101=BKMOD422 FEDER](#)

English

[V23535A3280C101=BKMOD422 FEDER](#)

English

Product Environmental Compliance

[TE Material Declaration](#)

English