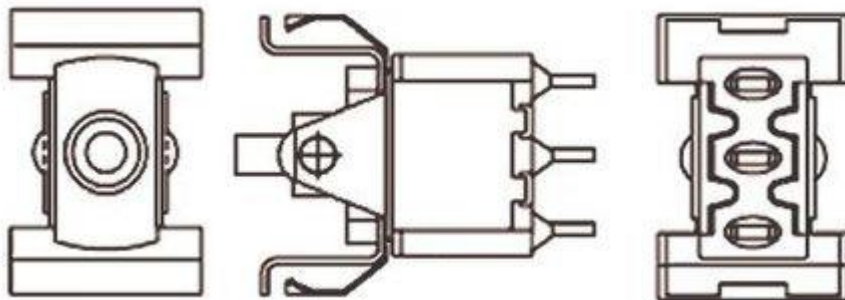


## Datasheet

### SPDT Rocker Switch, On-Off-(On)

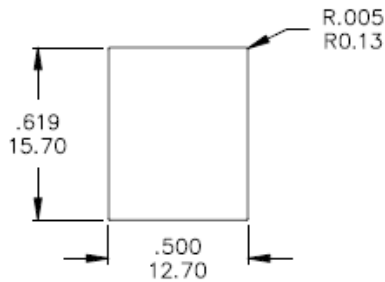
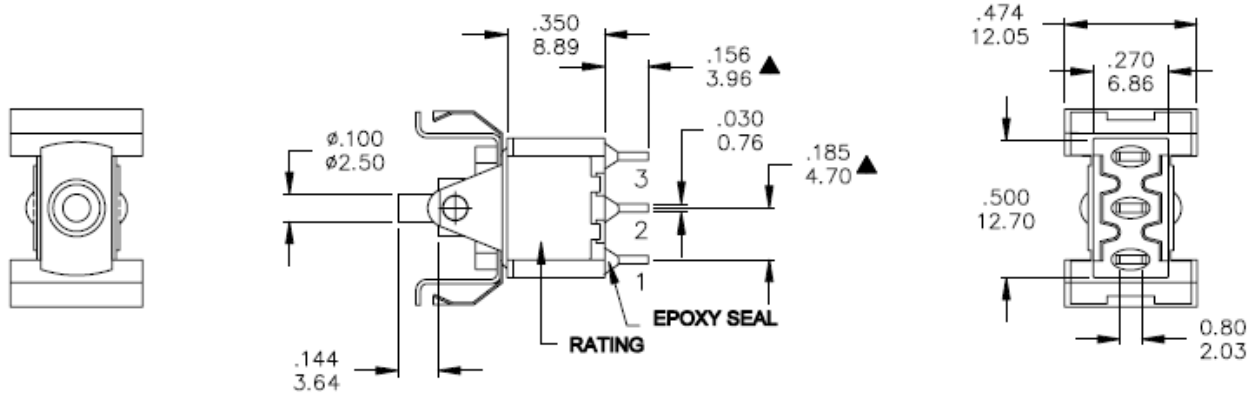
RS Stock number 734-6870



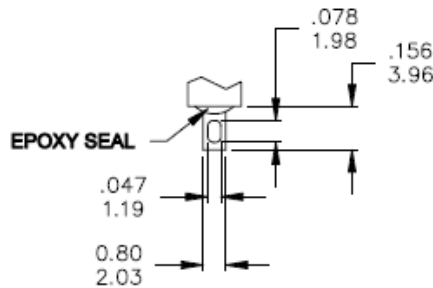
#### Specifications:

Mechanical Life:	40, 000 make-and-break cycles
Contact Resistance:	10mΩ max. initial @ 2-4VDC 100mA for both silver and gold plated contacts
Insulation Resistance:	1,000M Ω min
Dielectric Strength:	1,000 V rms @ sea level
Operating Temperature:	-30°C to 85°C
Case:	Diallyl phthalate (DAP) (UL94v-0)
Bushing:	Brass, nickel plated
Housing:	Stainless Steel
Switch Support:	Brass, tin plated
Terminal/Contact:	Brass, silver or gold plated
RoHS:	2002/95/EC
Rating:	R: 0.4VA max. @ 20V max. (AC or DC) Q: 2A @ 250VAC 5A @ 120VAC or 28VDC

**Dimensions – mm**



**RECOMMENDED MOUNTING**



**SOLDER LUG**

Model No.	POS.1	POS.2	POS.3
3MS5	<b>ON</b>	<b>OFF</b>	<b>MOM</b>
Term. Comm.	<b>2-3</b>	<b>OPEN</b>	<b>2-1</b>
SCHEMATIC			

**SWITCH FUNCTION**