

ZB5AZ025

Plastic flush mounting kit for legend 18x27 pushbutton and pilot light



Main

Range of product	Harmony XB5
Product or component type	Flush mounting kit
Accessory / separate part category	Mounting and fixing accessory
Product compatibility	ZB5AA ZB5AL ZB5AH ZB5AV XB5EV XB7NA XB7NL XB7EV XB7ND XB7NG XB7NJ XB7NW
Accessory / separate part destination	Pilot light Push-button

Complementary

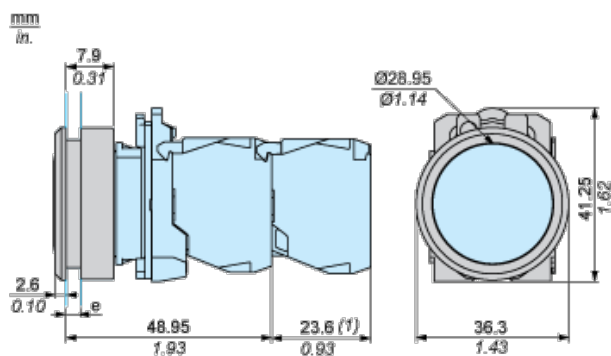
Colour	Black
IP degree of protection	IP66 front face IEC 60529 IP69 front face IEC 60529 IP69K front face DIN 40050-9
IK degree of protection	IK03 IEC 50102
Mounting diameter	30.5 mm
Quantity per set	Set of 1
Product weight	0.007 kg

Environment

Contractual warranty

Warranty period	18 months
-----------------	-----------

Dimensions with Flush Mounting Kit



e : Clamping thickness : 1 to 3.5 mm / 0.04 to 0.14 in.

(1) Additional row of contacts or double contact

Panel Cut-Out and Mounting

