

Principal Applications

For heavy duty applications requiring safe, leak-free, continuous flow of aggressive chemicals, acids, solvents, alkalis, sterile and chilled fluids.

Wetted Materials

Standard EPDM O Ring, optional Viton
PP encapsulated magnet, PVDF optional
PP pump housing, PVDF optional
PPS spindle housing
Alumina ceramic spindle & thrust washers

Features

Manufactured in chemical resistant thermo-plastics – entirely non-metallic
Magnetic couplings provide an energy efficient thermal shield,
minimising heat transfer to the pumped fluids
IP55 standard motor housing
EEXD and high SG versions built to order

NEMP300/20

230V 1Ph 50Hz
415V 3Ph 50Hz

110/120V 50/60 Hz versions available

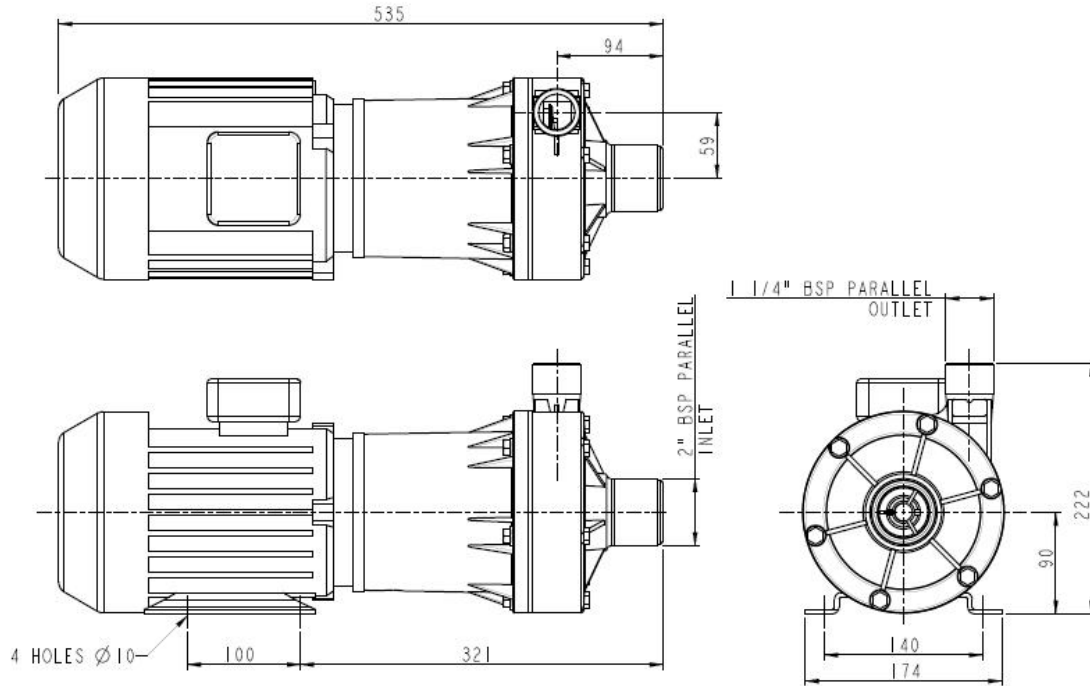
Port Details

2" BSP M inlet 1 ¼" BSP M outlet
2" BSP M inlet 1 ¼" BSP M outlet

Installation

Drawings not to scale
Dimensions in millimetres

NEMP300/20



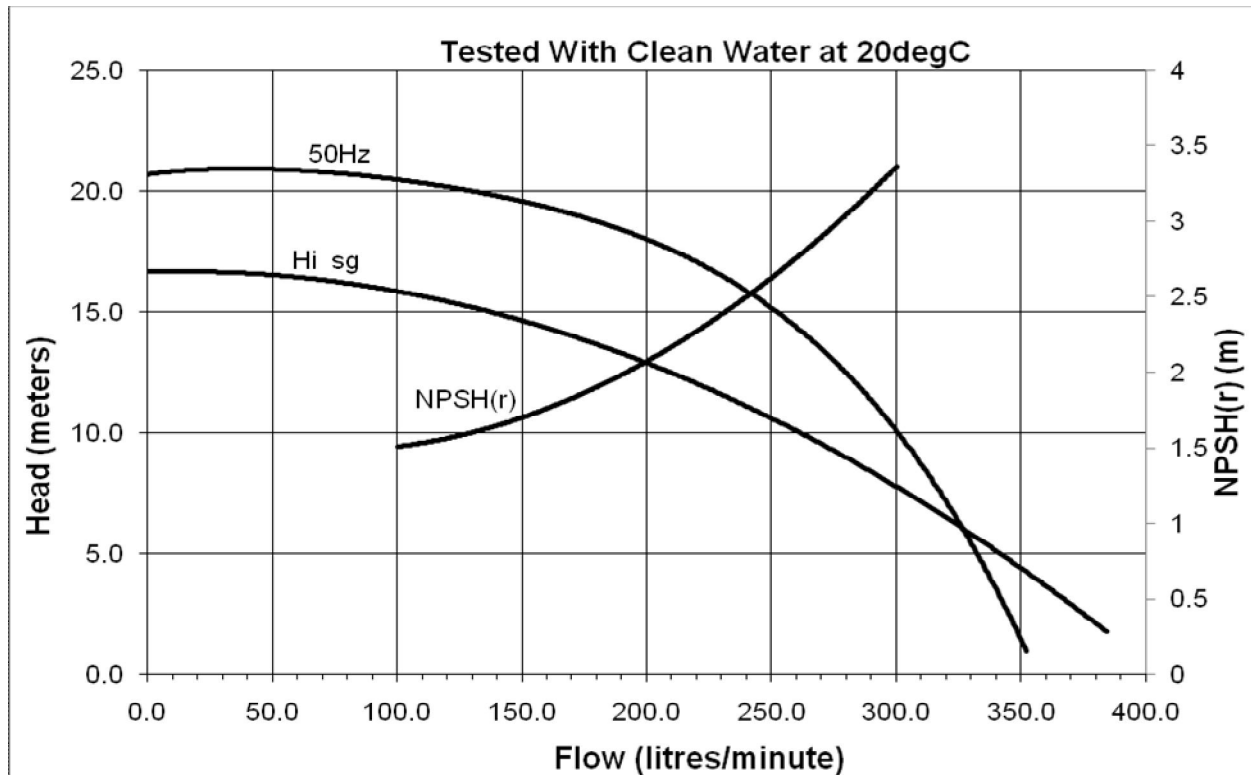
Specification

| Model | Overall height (mm) | Overall length (mm) | Overall width (mm) | Weight (kg) | Max body pressure (bar) | Run-out flow rate (l/min) | Closed valve head (m) | Temp range (degC) | **Max specific gravity | Motor output (watts) |
|------------|---------------------|---------------------|--------------------|-------------|-------------------------|---------------------------|-----------------------|-------------------|------------------------|----------------------|
| NEMP300/20 | 222 | 535 | 174 | 18.0* | 3.0 | 350 | 21 | -20 to +85 | 1.2 | 1500 |

*3ph weight. 1ph = 21.8kg

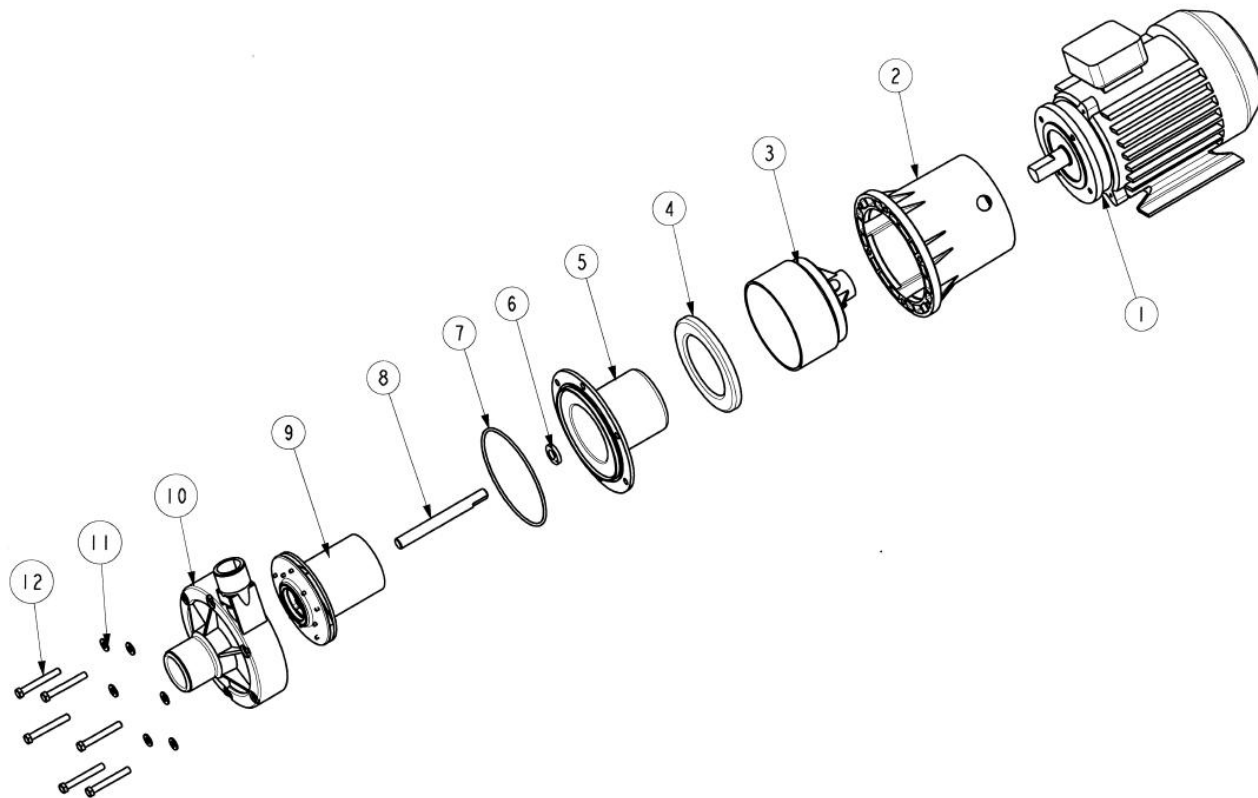
**Assuming maximum viscosity of 30cp. Refer to Totton Pumps for higher viscosities and specific gravities

Performance



NOTE: These magnetically coupled pumps are designed for use with clean fluids. Solids will cause jamming. Abrasives will reduce pump life & invalidate the warranty. NEMP pumps are not self priming & are not designed to run dry
The company reserves the right to change specifications

Part List



| Item Number | Description | Quantity | Part Number | | | | |
|-------------|-------------------------|----------|---------------------------------|---------------------------------|---------------------------------|---------------------------------|---------------------------------|
| | | | 008842 (110V 1Ph 50Hz) | 008832 (110V 1Ph 60Hz) | 008827 (230V 1Ph 50Hz) | 008828 (400V 3Ph 50Hz) | 008815 (400V 3Ph 60Hz) |
| 1 | Motor | 1 | | | | | |
| 2 | Mounting Bracket | 1 | 018376 | | | | |
| 3 | Drive Magnet | 1 | 008634 | | | | |
| 4 | Spindle Housing Support | 1 | 008324 | | | | |
| 5 | Spindle Housing | 1 | 018319 (PPS) | 008335 (PVDF) | 028300 (PP) | | |
| 6 | D Washer | 1 | 008330 | | | | |
| 7 | O Ring | 1 | 008278 (EPDM) | | 008254 (Viton) | | |
| 8 | Spindle | 1 | 008329 | | | | |
| 9 | Impeller | 1 | 028698 (PP 50Hz) | 018673 (PP 60Hz) | 008387 (PP High SG) | | |
| | | | 018637 (PVDF 50Hz) | 018674 (PVDF 60Hz) | 028625 (PVDF High SG) | | |
| 10 | Pump Body | 1 | 018371 (PP) | | 008659 (PVDF) | | |
| 11 | Washer | 8 | 001575 | | | | |
| 12 | Bolt | 8 | 031109 | | | | |

Totton Pumps Ltd.

Tel: +44 (0)23 8066 6685

Fax: +44 (0)23 8066 6880

Email: info@totton-pumps.com

Web: www.totton-pumps.co.uk