

# Resistance Weld Thru-Hole Crystal



Model: HC49SLF

RoHS Compliant / Pb Free

Rev. 3/30/2015

Page 1 of 2

[http://www.foxonline.com/need\\_a\\_sample.htm](http://www.foxonline.com/need_a_sample.htm)

Need a  
Sample®

## FEATURES

- Low Cost
- Stocking Standard (see page 2)
- Fundamental to 40 MHz
- Resistance Weld

## OPTIONS

- Tolerances to 10 PPM
- Stabilities to 5 PPM
- Temperatures to -55°C ~ +125°C
- 2.5mm Height Max (HC49SSLF)

## • PART NUMBER

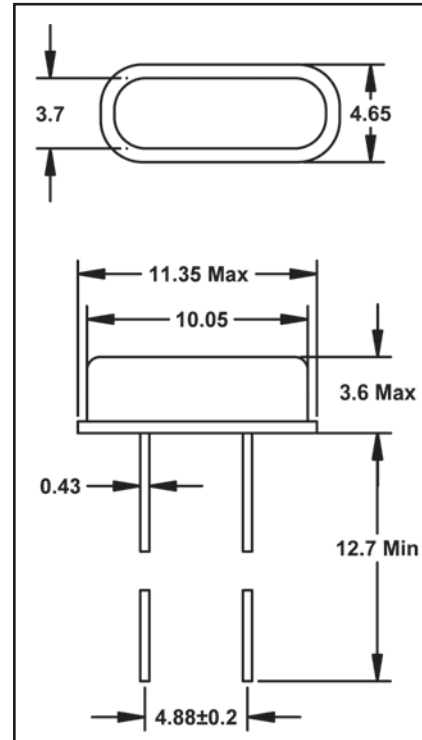
| Part Number           | Model Number | Frequency Range (MHz) |
|-----------------------|--------------|-----------------------|
| 277LF-Frequency-xxxxx | HC49SLF      | 3.200 ~ 80.000        |

## • STANDARD SPECIFICATIONS<sup>1</sup>

| PARAMETERS                       | MAX (unless otherwise noted)           |
|----------------------------------|--|
| Frequency Range                  | 3.200 ~ 80.000 MHz                     |
| Frequency Tolerance @ 25°C       | ±50 PPM <sup>1,3</sup>                 |
| Frequency Stability, ref @ 25°C  | ±50 PPM <sup>1</sup>                   |
| Temperature Range                |  |
| Operating (TOPR)                 | -20°C ~ +70°C <sup>2</sup>             |
| Storage (TSTG)                   | -40°C ~ +125°C                         |
| Shunt Capacitance (Co)           | 7pF                                    |
| Load Capacitance (CL)            | 10 pF ~ Series<br>(Customer Specified) |
| Drive Level                      | 0.5 mW (0.1 mW Typical)                |
| Aging per year                   | ±3 PPM                                 |
| Maximum Soldering Temp / Time    | 260°C / 10 Seconds                     |
| Moisture Sensitivity Level (MSL) | 1                                      |
| Termination Finish:              | Sn/Ag/Cu                               |

<sup>1</sup> Other tolerances, stabilities available. Consult Fox Customer Service for specific requirements.  
<sup>2</sup> Operating temperature ranges to -55°C ~ +125°C available.  
<sup>3</sup> Crystal has a ±30ppm tolerance specification for all standard part numbers. These part numbers are listed on page 2 of this datasheet.

Note: Dimensional drawing is for reference to critical specifications defined by size measurements. Certain non-critical visual attributes, such as side castellations, etc. may vary. All specifications subject to change without notice.



All dimensions are in millimeters.

**TERMINATION FINISH: Sn/3.0Ag/0.5Cu**

| Frequency Range (MHz) | Operating Mode | Max ESR Ω |
|-----------------------|----------------|-----------|
| 3.200 ~ 3.500         | Fundamental    | 300       |
| 3.500+ ~ 4.000        | Fundamental    | 200       |
| 4.000+ ~ 5.000        | Fundamental    | 150       |
| 5.000+ ~ 6.000        | Fundamental    | 120       |
| 6.000+ ~ 7.000        | Fundamental    | 100       |
| 7.000+ ~ 9.000        | Fundamental    | 80        |
| 9.000+ ~ 13.000       | Fundamental    | 60        |
| 13.000+ ~ 20.000      | Fundamental    | 40        |
| 20.000+ ~ 40.000      | Fundamental    | 30        |
| 27.000 ~ 70.000       | 3rd OT         | 100       |
| 70.000+ ~ 80.000      | 3rd OT         | 80        |

# Resistance Weld Thru-Hole Crystal



Model: HC49SLF

RoHS Compliant / Pb Free

Rev. 3/30/2015

Page 2 of 2

[http://www.foxonline.com/need\\_a\\_sample.htm](http://www.foxonline.com/need_a_sample.htm)



*All specifications subject to change without notice.*

| • HC49SLF Standard Crystals |           |           |           |              |        |
|-----------------------------|-----------|-----------|-----------|--------------|--------|
| Part Number                 | Frequency | Tolerance | Stability | Temp Range   | CL     |
| FOXSLF/036S                 | 3.579545  | ± 30 ppm  | ± 50 ppm  | -20 to +70 C | 18pF   |
| FOXSLF/0368S                | 3.686400  | ± 30 ppm  | ± 50 ppm  | -20 to +70 C | Series |
| FOXSLF/0368-20              | 3.686400  | ± 30 ppm  | ± 50 ppm  | -20 to +70 C | 20pF   |
| FOXSLF/040A                 | 4.000000  | ± 30 ppm  | ± 50 ppm  | -20 to +70 C | Series |
| FOXSLF/040                  | 4.000000  | ± 30 ppm  | ± 50 ppm  | -20 to +70 C | 20pF   |
| FOXSLF/073-20               | 7.372800  | ± 30 ppm  | ± 50 ppm  | -20 to +70 C | 20pF   |
| FOXSLF/080                  | 8.000000  | ± 30 ppm  | ± 50 ppm  | -20 to +70 C | Series |
| FOXSLF/080-20               | 8.000000  | ± 30 ppm  | ± 50 ppm  | -20 to +70 C | 20pF   |
| FOXSLF/100-20               | 10.000000 | ± 30 ppm  | ± 50 ppm  | -20 to +70 C | 20pF   |
| FOXSLF/115                  | 11.059200 | ± 30 ppm  | ± 50 ppm  | -20 to +70 C | Series |
| FOXSLF/115-20               | 11.059200 | ± 30 ppm  | ± 50 ppm  | -20 to +70 C | 20pF   |
| FOXSLF/120                  | 12.000000 | ± 30 ppm  | ± 50 ppm  | -20 to +70 C | Series |
| FOXSLF/120-20               | 12.000000 | ± 30 ppm  | ± 50 ppm  | -20 to +70 C | 20pF   |
| FOXSLF/147-20               | 14.745600 | ± 30 ppm  | ± 50 ppm  | -20 to +70 C | 20pF   |
| FOXSLF/160                  | 16.000000 | ± 30 ppm  | ± 50 ppm  | -20 to +70 C | Series |
| FOXSLF/160-20               | 16.000000 | ± 30 ppm  | ± 50 ppm  | -20 to +70 C | 20pF   |
| FOXSLF/184-20               | 18.432000 | ± 30 ppm  | ± 50 ppm  | -20 to +70 C | 20pF   |
| FOXSLF/200                  | 20.000000 | ± 30 ppm  | ± 50 ppm  | -20 to +70 C | Series |
| FOXSLF/200-20               | 20.000000 | ± 30 ppm  | ± 50 ppm  | -20 to +70 C | 20pF   |
| FOXSLF/250F-20              | 25.000000 | ± 30 ppm  | ± 50 ppm  | -20 to +70 C | 20pF   |