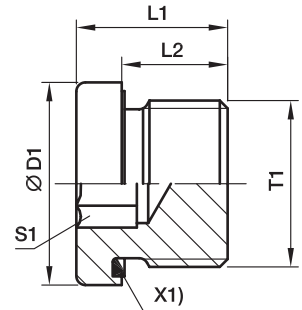


VSTI M/R-ED Blanking plug for ports

Male metric thread – ED-seal (ISO 9974)

Male BSPP thread – ED-seal (ISO 1179)



X1) Eolastic-sealing ED

Male metric parallel thread T1	Male stud BSP thread T1	D1	L1	L2	S1	Weight g/1 piece	Order code*	Order code*	PN (bar) ¹⁾		
									CF	A3C	71
M 10×1	G 1/8 A	14.0	12.0	8	5	8	VSTI10X1ED	VSTI1/8ED	400	400	400
M 12×1.5		17.0	17.0	12	6	14	VSTI12X1.5ED		400	400	400
M 14×1.5	G 1/4 A	19.0	17.0	12	6	20	VSTI14X1.5ED	VSTI1/4ED	400	400	400
M 16×1.5	G 3/8 A	22.0	17.0	12	8	25	VSTI16X1.5ED	VSTI3/8ED	400	400	400
M 18×1.5		23.9	17.0	12	8	32	VSTI18X1.5ED		400	400	400
M 20×1.5		25.9	19.0	14	10	42	VSTI20X1.5ED		400	400	400
M 22×1.5	G 1/2 A	27.0	19.0	14	10	51	VSTI22X1.5ED	VSTI1/2ED	400	400	400
M 26×1.5		31.9	21.0	16	12	78	VSTI26X1.5ED		400	400	400
M 27×2	G 3/4 A	32.0	21.0	16	12	79	VSTI27X2ED	VSTI3/4ED	400	400	400
M 33×2	G 1 A	39.9	22.5	16	17	130	VSTI33X2ED	VSTI1ED	400	400	400
M 42×2	G 1 1/4 A	49.9	22.5	16	22	198	VSTI42X2ED	VSTI1 1/4ED	315	315	315
M 48×2	G 1 1/2 A	55.0	22.5	16	24	263	VSTI48X2ED	VSTI1 1/2ED	315	315	315

¹⁾ Pressure shown = item deliverable

$$\frac{\text{PN (bar)}}{10} = \text{PN (MPa)}$$

Information on ordering alternative sealing materials see page 17.

*Please add the **suffixes** below according to the material/surface required.

Order code suffixes			
Material	Suffix surface and material	Example	Standard sealing material (no additional suffix needed)
Steel, zinc plated, chrome ⁶ -free	CF	VSTI1/2EDCF	NBR
Steel, zinc yellow plated	A3C	VSTI1/2EDA3C	NBR
Stainless Steel	71	VSTI1/2ED71	VIT