



### Electrical features

IEC maximum rated current (In)	A	30
IEC maximum rated voltage (Un)	V	600
IEC Utilization category		AC22B 500V - AC21B 690V
Power dissipation Max	W	3
Derating factor of rated current In for different ambient temperature	20°C	1
	30°C	0.95
	40°C	0.9
	50°C	0.8
	60°C	0.7
	70°C	0.5

### Derating factor of rated current In for side by side fuse holders (poles)

1-4	1
5-6	0.8
7-9	0.7
≥10	0.6

Rated current (In)	A	30
--------------------	---	----

### Ambient conditions

Operating temperature	min	°C	-20
	max	°C	+70
Storage temperature	min	°C	-40
	max	°C	+80
Max altitude	m	3000	

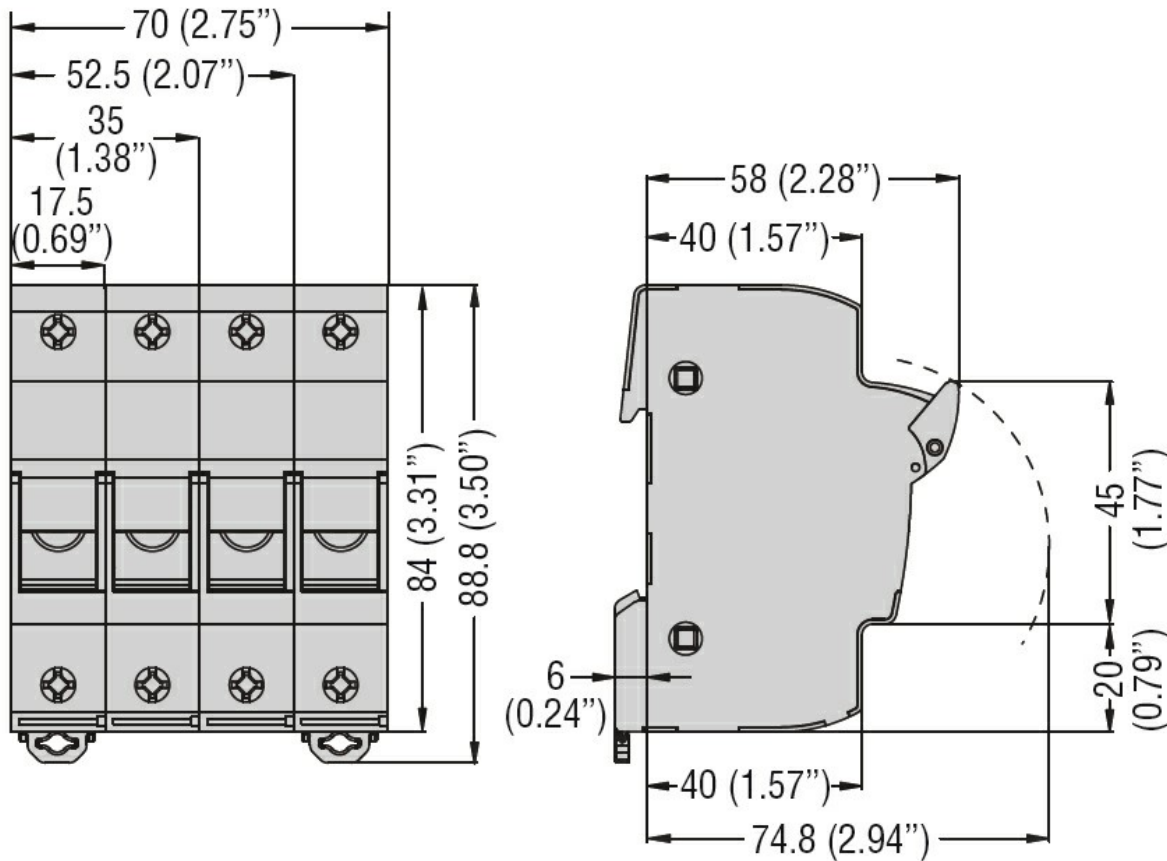
### Mechanical features

Operating position	normal allowable	Vertical plan Any	
		35mm DIN rail	
Fixing			
Tightening torque for terminals	max	Nm	2.5
	max	lbin	22
Conductor section	Flexible max (IEC)	mm <sup>2</sup>	16
	- Flexible max (AWG/kcmil)		8
	Rigid max (IEC)	mm <sup>2</sup>	16
	- Rigid max (AWG/kcmil)		8
Weight	g	14	

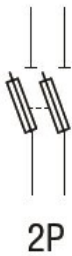
### Resistance & Protection

Frontal IP degree	IP20
-------------------	------

### Dimensions



### Wiring diagrams



### Certifications and compliance

#### Compliance

CSA C22.2 n°4248.1

CSA C22.2 n°4248.4.

IEC/EN 60269-1

IEC/EN 60269-2

IEC/EN 60947-1

IEC/EN 60947-3

UL 4248-1

UL 4248-4

#### Certifications

EAC

UL

### ETIM classification

ETIM 8.0

EC002705 -  
Holder for  
cylindrical fuse