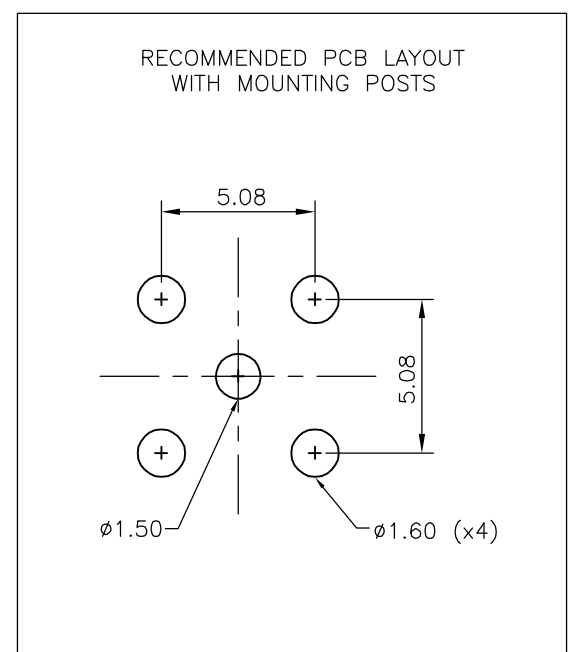
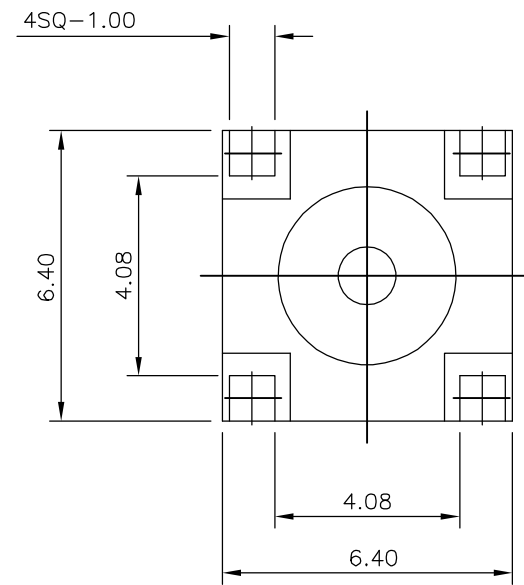
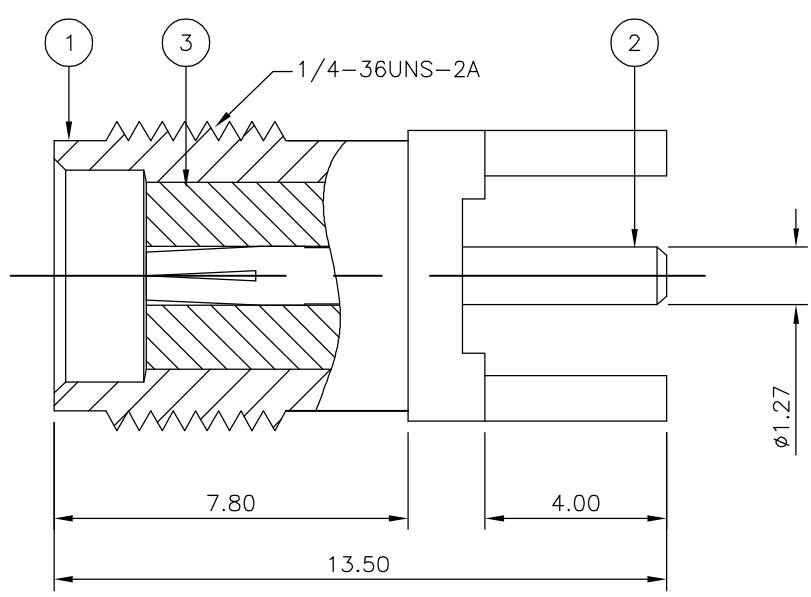


THIS DRAWING IS UNPUBLISHED. RELEASED FOR PUBLICATION JULY, 2006.
 © COPYRIGHT 2006 BY TYCO ELECTRONICS CORPORATION. ALL RIGHTS RESERVED.

LOC	DIST	REVISIONS			
P	LTR	DESCRIPTION	DATE	DWN	APVD
E	B	A	FIRST ISSUE	31JUL06	JMS FWK

- NOTES**
- 1 SINGLE PACK IN ACCORDANCE WITH AMP SPEC 107-3275
 - 2 100 TRAY PACK IN ACCORDANCE WITH AMP SPEC 107-3275
 - 3 Au PLATING
 - 4 ELECTRICAL CHARACTERISTICS
 FREQUENCY RANGE: DC-3GHz
 NOMINAL IMPEDANCE: 50 OHMS
 INSULATION RESISTANCE: 5000 MOHMS
 DIELECTRIC WITHSTAND VOLTAGE: 500V RMS
 CONTACT RESISTANCE: CENTRE CONTACT 3 mOHMS
 OUTER CONTACT 2 mOHMS
 - 5 MECHANICAL CHARACTERISTICS
 DURABILITY: 50 CYCLES
 TORQUE SETTING: 0.15-0.20 NM



QTY	DESCRIPTION	MATERIAL	ITEM
1	INSULATOR	PTFE	3
1	SOCKET	PHOSPHOR BRONZE	2
1	BODY	ZINC ALLOY	1
5	MATERIAL		

THIS DRAWING IS A CONTROLLED DOCUMENT.		DWN J.SANDWELL 31JUL06	Tyco Electronics Corporation Bideford EX39 4HE	
DIMENSIONS: mm		CHK S.PARLOW 31JUL06	NAME SMA STRAIGHT PCB SOCKET DIE CAST	
TOLERANCES UNLESS OTHERWISE SPECIFIED:		APVD F.WHEELER-KING 31JUL06	SIZE A3 CAGE CODE 00779 DRAWING NO C-1814832	
0 PLC ± - 1 PLC ± - 2 PLC ± - 3 PLC ± - 4 PLC ± - ANGLES ± -		PRODUCT SPEC -	RESTRICTED TO -	
MATERIAL SEE TABLE		APPLICATION SPEC -	SCALE NTS SHEET 1 OF 1 REV A	
FINISH -		WEIGHT -	CUSTOMER DRAWING	