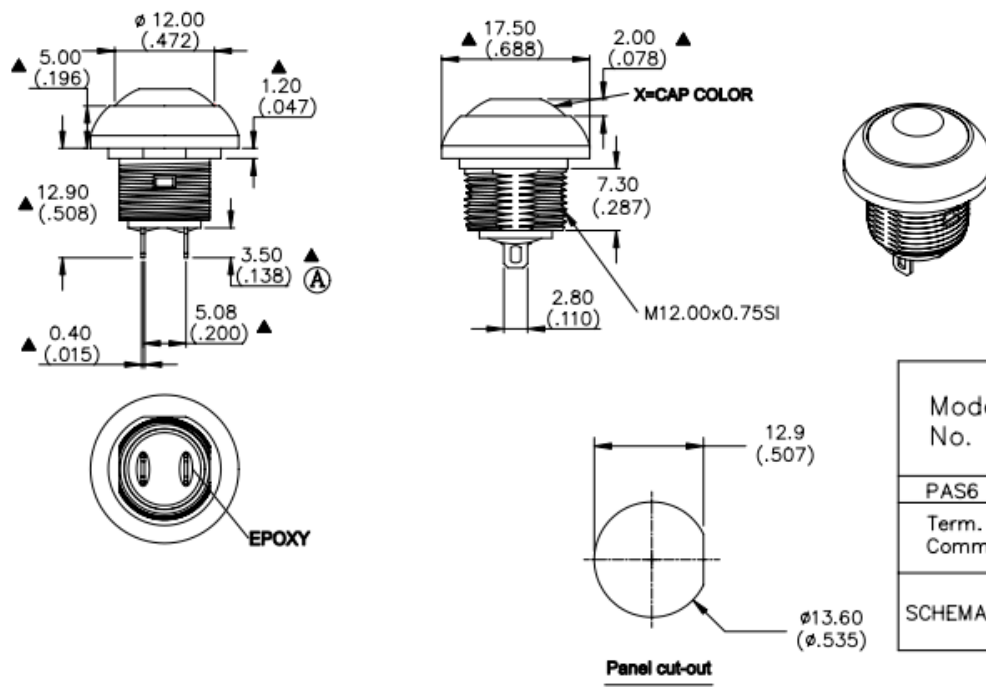




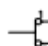
Datasheet

Red IP67 SPST Panel Mount Off-(On) Push Button Switch

RS Stock number [734-6716](#)

Dimensions: (mm)



	POS.1	POS.2
Model No.		
PAS6	OFF	MOM
Term. Comm.	OPEN	SHORT
SCHEMATIC		

Specifications

- Case: Dially Phthalate
- Cap: Polyamide 6/6
- Bushing: Polyamide 6/6
- Terminal/Contacts: Gold over silver plated
- RoHS compliant
- Max Current/Voltage rating with resistive load: 400mA 32VAC – 100 mA 50VDC-125 mA 125VAC
- Initial Contact Resistance: 50m Ωmax
- Insulation Resistance: 1GΩmin at 500VAC
- Dielectric Strength: 1000 VAC rms
- Electrical Life at Full Load: 500,000 cycles
- Panel Thickness: 1.5mm (.059) min. – 4mm (.157) max
- Total Travel: 1.5mm (.59)
- Operating Force: 2N~5N
- Contact Bounce: 10ms
- Mechanical Life: 1,000,000 cycles
- Torque: 0.5 Nm max. applied to nut
- Soldering: 250°C max. for 5 seconds