

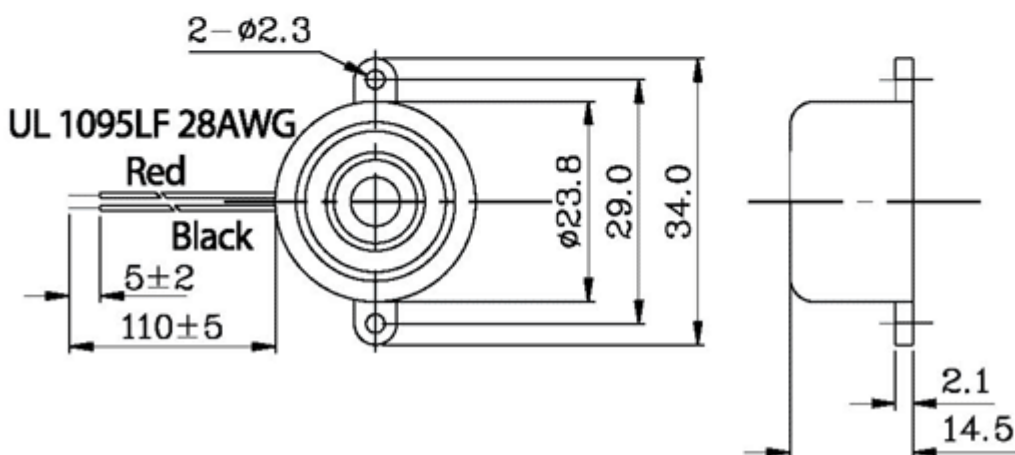
## Shape

### KPEG200



Model Number	KPEG200
Rated Frequency (Hz)	3,100 ± 500
Operating Voltage Range (VDC)	3 ~ 20
Current Consumption (mA)	Max. 14@12VDC
Sound Pressure Level (dB)	Min. 73dB@30cm / 12VDC
Tone	Continuous
Operating Temperature (°C)	-20 ~ +85
Storage Temperature (°C)	-30 ~ +95
Weight (Gram)	4.5
Material	ABS UL-94 1/16" HB High Heat (Black)

## Dimension



The specification is for reference only. Please confirm the detailed approval sheets before ordering with us.  
Kingstate reserves the right to revise or withdraw specifications without advanced notice.