



# Downlight DN060B

## DN060B LED18S/830 PSU WH

LED Module, system flux 1800 lm - 830 warm white - Power supply unit - White

The LEDINAIRE range contains a selection of popular off-the-shelf LED luminaires that come with the high Philips quality levels at a competitive price. Reliable, energy-efficient and affordable – just what you need.

### Product data

| General Information           |   |
|-------------------------------|---|
| Lamp family code              | LED18S [ LED Module, system flux 1800 lm] |
| Beam angle of light source    | 90 x 90 °                                 |
| Light source color            | 830 warm white                            |
| Light source replaceable      | No  |
| Number of gear units          | 1 unit                                    |
| Gear                          | -   |
| Driver/power unit/transformer | Power supply unit                         |
| Driver included               | Yes                                       |
| Optic type                    | Symmetrical                               |
| Luminaire light beam spread   | 10°                                       |
| Connection                    | Push-in connector 2-pole                  |
| Cable                         | -   |
| Protection class IEC          | Safety class I                            |
| Glow-wire test                | Temperature 650 °C, duration 5 s          |
| Flammability mark             | -   |
| CE mark                       | CE mark                                   |
| ENEC mark                     | -   |
| Warranty period               | 3 years                                   |

| Remarks                                  | *-Per Lighting Europe guidance paper "Evaluating performance of LED based luminaires - January 2018": statistically there is no relevant difference in lumen maintenance between B50 and for example B10. Therefore the median useful life (B50) value also represents the B10 value. |
|--|---|
| Constant light output                    | No  |
| Number of products on MCB of 16 A type B | 48  |
| EU RoHS compliant                        | Yes   |
| Service tag                              | Yes   |
| Operating and Electrical                 |   |
| Input Voltage                            | 220-240 V   |
| Input Frequency                          | 50 to 60 Hz   |
| Control signal voltage                   | -   |
| Inrush current                           | 17.2 A  |
| Inrush time                              | 0.0016 ms   |

# Downlight DN060B

|                    |     |
|--------------------|-----|
| Power Factor (Min) | 0.9 |
|--------------------|-----|

## Controls and Dimming

|          |    |
|----------|----|
| Dimmable | No |
|----------|----|

## Mechanical and Housing

|                                     |   |
|-------------------------------------|---|
| Housing Material                    | Metal-Plastic                           |
| Reflector material                  | Steel                                   |
| Optic material                      | Polycarbonate                           |
| Optical cover/lens material         | Polycarbonate                           |
| Fixation material                   | Stainless steel                         |
| Optical cover/lens finish           | Opal                                    |
| Overall height                      | 120 mm                                  |
| Overall diameter                    | 233 mm                                  |
| Color                               | White                                   |
| Dimensions (Height x Width x Depth) | 120 x NaN x NaN mm (4.7 x NaN x NaN in) |

## Approval and Application

|                              |                          |
|------------------------------|--------------------------|
| Ingress protection code      | IP20 [ Finger-protected] |
| Mech. impact protection code | IK02 [ 0.2 J standard]   |

## Initial Performance (IEC Compliant)

|                                     |          |
|-------------------------------------|----------|
| Initial luminous flux (system flux) | 1800 lm  |
| Luminous flux tolerance             | +/-10%   |
| Initial LED luminaire efficacy      | 100 lm/W |
| Init. Corr. Color Temperature       | 3000 K   |
| Init. Color Rendering Index         | >80      |

|                             |                      |
|-----------------------------|----------------------|
| Initial chromaticity        | (0.43, 0.40) SDCM <5 |
| Initial input power         | 18 W                 |
| Power consumption tolerance | +/-10%               |

## Over Time Performance (IEC Compliant)

|   |       |
|---|-------|
| Control gear failure rate at median useful life 50000 h | 7.5 % |
| Lumen maintenance at median useful life* 50000 h        | L65   |

## Application Conditions

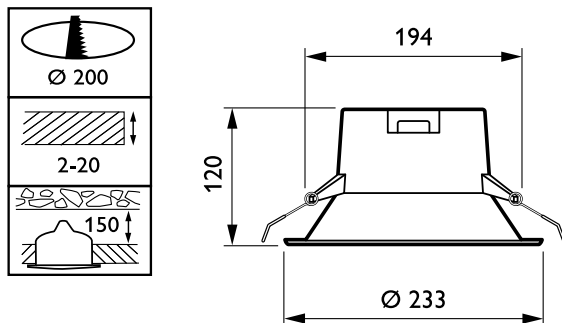
|                                    |             |
|------------------------------------|-------------|
| Ambient temperature range          | 0 to +35 °C |
| Performance ambient temperature Tq | 25 °C       |

## Product Data

|                                 |                          |
|---------------------------------|--------------------------|
| Full product code               | 871016330661299          |
| Order product name              | DN060B LED18S/830 PSU WH |
| EAN/UPC - Product               | 8710163306612            |
| Order code                      | 911401531931             |
| Numerator - Quantity Per Pack   | 1                        |
| Numerator - Packs per outer box | 8                        |
| Material Nr. (12NC)             | 911401531931             |
| Net Weight (Piece)              | 0.630 kg                 |



## Dimensional drawing



SmartBright LED DN060B-DN063B

## Downlight DN060B

