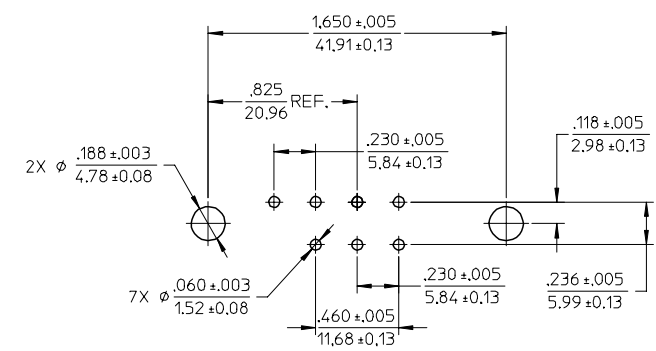
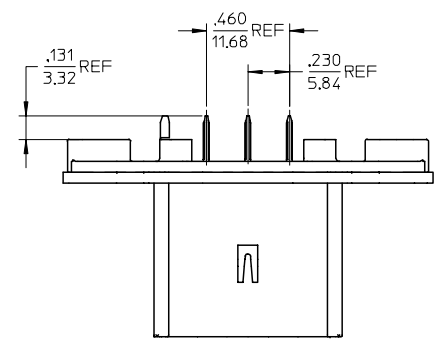
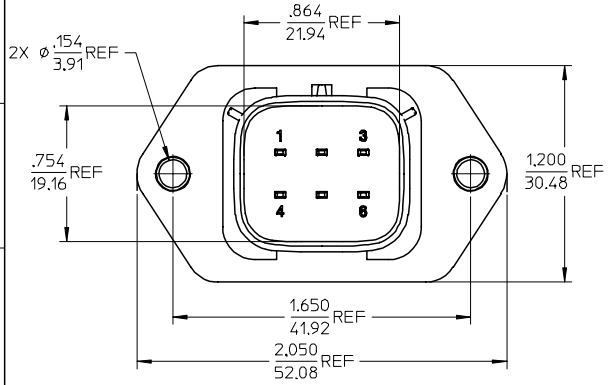
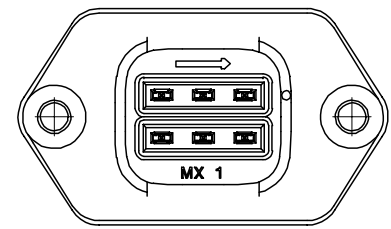
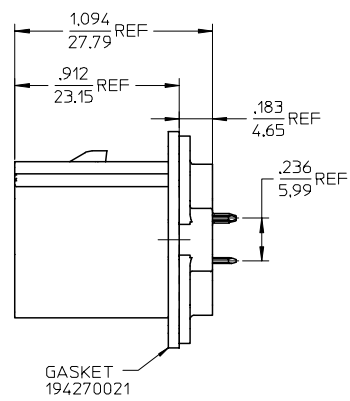


RECOMMENDED PANEL CUTOUT
MAX PANEL THICKNESS .080/2.03



RECOMMENDED PCB LAYOUT
COMPONENT VIEW
TOLERANCES ARE NON-ACCUMULATIVE



- NOTES:
- MATERIALS:
HOUSING: POLYESTER (PBT), GLASS FILLED, UL94 V-0,
COLOR: BLACK
TERMINALS: COPPER ALLOY
 - FINISHES: 1. TIN ONLY: 100µN TIN OVER 50µN NICKEL
2. TIN/GOLD: 30µN SELECT GOLD (CONTACT MATING AREA),
100µN SELECT TIN (PCB TAIL AREA) OVER 50µN NICKEL OVERALL.
 - PRODUCT SPECIFICATION: PS-19428-001.
 - PACKAGING SPECIFICATION: PK-19428-002.
 - MATES WITH: 19418 SERIES RECEPTACLE ASSEMBLIES.

MATERIAL NUMBER	TERMINAL PLATING
194280012	TIN
194280028	SELECT GOLD/TIN

PRODUCTION RELEASE EC NO: ETC2005-0213 DRAWN: JPAMLCK 2005/06/10 CHKD: JPAMLCK 2005/06/14 APPR: RDEROSS 2005/06/14 DESCRIPTION	QUALITY SYMBOLS	GENERAL TOLERANCES (UNLESS SPECIFIED)	DIMENSION STYLE	SCALE	DESIGN UNITS	THIRD ANGLE PROJECTION	
	▽=0 ▽=0	mm INCH 4 PLACES ± --- ± --- 3 PLACES ± --- ± .015 2 PLACES ± 0.38 ± --- 1 PLACE ± --- ± --- ANGULAR ± 1°	IN/MM	2:1	INCH	☉ □ THIRD ANGLE PROJECTION	
	DRAWN BY BRUPERT DATE 04/06/16 CHECKED BY DATE JPAWLCK 04/06/16 APPROVED BY DATE RDEROSS 04/06/16	DRAFT WHERE APPLICABLE MUST REMAIN WITHIN DIMENSIONS		MATERIAL NO. SEE CHART SIZE C	TITLE 6-WAY STRAIGHT HEADER ASSEMBLY, SHORT VERSION	DOCUMENT NO. SD-19428-004	SHEET NO. 1 OF 1
	MOLEX INCORPORATED	THIS DRAWING CONTAINS INFORMATION THAT IS PROPRIETARY TO MOLEX INCORPORATED AND SHOULD NOT BE USED WITHOUT WRITTEN PERMISSION					