

# DT06-12SB-EP04 ✓ ACTIVE

DEUTSCH | DEUTSCH DT

TE Internal #: DT06-12SB-EP04

12 Position Housing, Housing for Female Terminals, Wire-to-Wire, 4.44 mm [.175 in] Centerline, Sealable, Black, Wire & Cable, Power, DEUTSCH DT

[View on TE.com >](#)



Automotive Parts > Automotive Connectors > Automotive Housings > DEUTSCH DT Plug Connectors



Connector & Housing Type: **Housing for Female Terminals**

Number of Positions: **12**

Sealable: **Yes**

Operating Temperature Range: **-55 – 125 °C [ -67 – 257 °F ]**

Number of Rows: **2**

[All DEUTSCH DT Plug Connectors \(194\)](#)

## Features

### Product Type Features

Mixed & Hybrid Connector	No
Connector Shape	Rectangular
Connector & Housing Type	Housing for Female Terminals
Sealable	Yes
Primary Locking Feature	Integrated in Housing
Connector System	Wire-to-Wire
Connector & Contact Terminates To	Wire & Cable

### Configuration Features

Blank Cavity Position	0
Number of Positions	12
Number of Rows	2

### Electrical Characteristics



Operating Voltage	250 VDC
Nominal Voltage Architecture	12 V, 24 V, 48 V

### Body Features

Cable Exit Angle	180°
Primary Product Color	Black
Connector & Keying Code	B

### Contact Features

Contact Size	Size 16
Contact Type	Socket
Mating Pin Diameter	1.59 mm[.063 in]
Contact Current Rating (Max)	13 A

### Mechanical Attachment

Strain Relief	Add By Accessory
Terminal Position Assurance	Yes
Mating Alignment Type	Keyed
Mating Alignment	With
Connector Mounting Type	Cable Mount (Free-Hanging)

### Housing Features

Housing Material	PA GF
Centerline (Pitch)	4.44 mm[.175 in]

### Dimensions

Row-to-Row Spacing	9.12 mm[.359 in]
Compatible Insulation Diameter Range	2.23 – 3.68 mm[.088 – .145 in]
Product Width	20.83 mm[.82 in]
Product Length	32.21 mm[1.268 in]
Connector Height	40.56 mm[1.597 in]

### Usage Conditions

Operating Temperature Range	-55 – 125 °C[-67 – 257 °F]
Operating Temperature (Max)	125 °C[257 °F]

### Operation/Application

Circuit Application	Power
---------------------	-------

### Industry Standards



IP Rating	IP68, IP6K9K
Compatible With Agency/Standards Products	SAE J2030
UL Flammability Rating	12mm Flame Test per Standard UL-94

### Packaging Features

Packaging Quantity	450
Packaging Method	Box

### Other

Serviceable	Yes
Connector Position Assurance Capable	No

### Product Compliance

[For compliance documentation, visit the product page on TE.com>](#)

EU RoHS Directive 2011/65/EU	Compliant
EU ELV Directive 2000/53/EC	Compliant
China RoHS 2 Directive MIIT Order No 32, 2016	No Restricted Materials Above Threshold
EU REACH Regulation (EC) No. 1907/2006	<p>Current ECHA Candidate List: JAN 2025 (247)  Candidate List Declared Against: JAN 2025 (247)  SVHC &gt; Threshold:  Dodecamethylcyclhexasiloxane (D6) (.5% in M-11030-1)  Decamethylcyclopentasiloxane (D5) (.5% in M-11030-1)  Octamethylcyclotetrasiloxane (D4) (.5% in M-11030-1)</p> <p><b>Article Safe Usage Statements:</b>  Wash thoroughly after handling. Recycle if possible and dispose of the article by following all applicable governmental regulations relevant to your geographic location.</p>
Halogen Content	Not Low Halogen - contains Br or Cl > 900 ppm.
Solder Process Capability	Not reviewed for solder process capability

#### Product Compliance Disclaimer

This information is provided based on reasonable inquiry of our suppliers and represents our current actual knowledge based on the information they provided. This information is subject to change. The part numbers that TE has identified as EU RoHS compliant have a maximum concentration of 0.1% by weight in homogenous materials for lead, hexavalent chromium, mercury, PBB, PBDE, DBP, BBP, DEHP, DIBP, and 0.01% for cadmium, or qualify for an exemption to these limits as defined in the Annexes of Directive 2011/65/EU (RoHS2). Finished electrical and electronic equipment products will be CE marked as required by Directive 2011/65/EU. Components may not be CE marked. Additionally, the part numbers that TE has identified as EU ELV compliant have a maximum concentration of 0.1% by weight in homogenous materials for lead, hexavalent chromium, and mercury, and 0.01% for cadmium, or qualify for an exemption to these limits as defined in the Annexes of Directive 2000/53/EC (ELV). Regarding the REACH Regulation, the information TE provides

on SVHC in articles for this part number is based on the latest European Chemicals Agency (ECHA) 'Guidance on requirements for substances in articles' posted at this URL: <https://echa.europa.eu/guidance-documents/guidance-on-reach>


## Compatible Parts



TE Part # CAT-D487-CH8172  
DEUTSCH DT Series Housings & Connectors



TE Part # 1010-058-1206  
SEAL, INTF, 12P, RED-ORG, SL RET, DT



TE Part # 1062-14-0177  
SOC, SF, SIZE 16, 14-18, SN/SN




TE Part # 776363-1  
SEALING PLUG, SZ 16 CAVITY



TE Part # CAT-J41-DDFRC  
DEUTSCH DT Flange Receptacle Connector



TE Part # DTF13-12PB-G003  
HDR, 12P, BLK, RA, AU/NI/CU, B



TE Part # CAT-D48-ST273  
DEUTSCH Solid Contacts



TE Part # CAT-J41-DDRC  
DEUTSCH DT Receptacle Connectors



TE Part # DT06-12SB-C015  
PLG, 12P, BLK, E, B



TE Part # CAT-D487-H342  
DEUTSCH DT Headers



TE Part # CAT-D487-W416  
Wedgelocks: DEUTSCH DT



TE Part # CAT-D48-SFT273  
DEUTSCH Stamped and Formed Contacts



TE Part # CAT-D487-P729  
Dust Caps — DEUTSCH DT



TE Part # 1062-16-1422  
SOC, SF, SIZE 16, 12-16, SLVLES, NI/NI



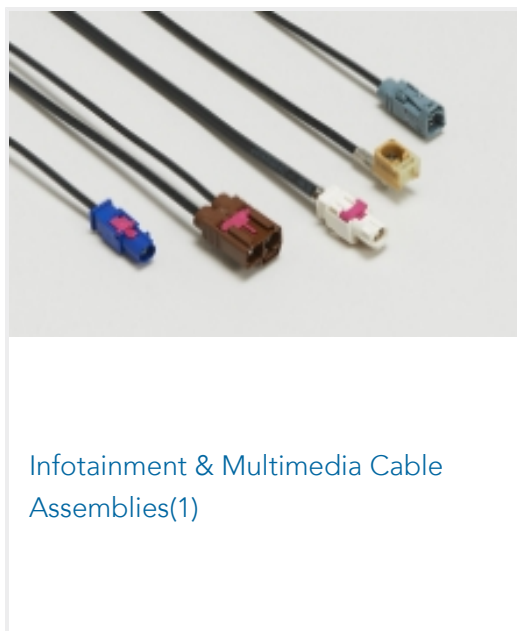
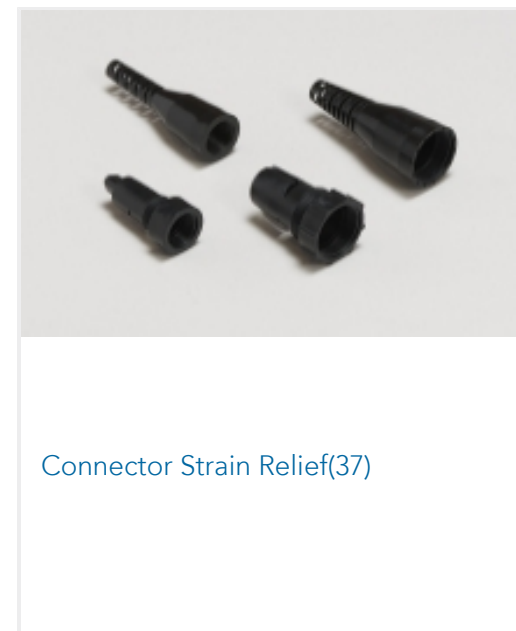
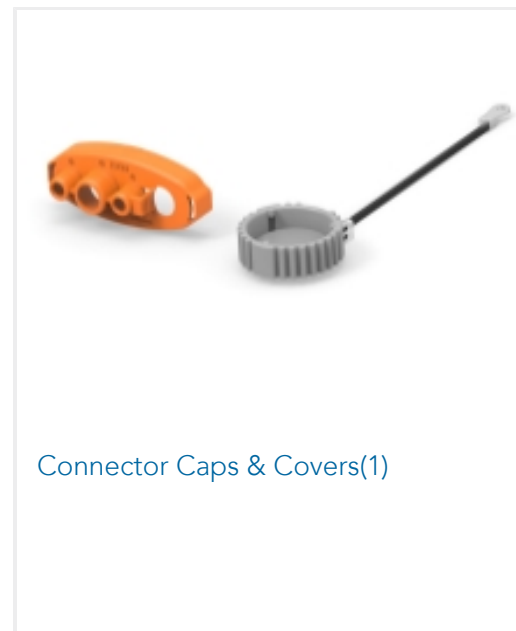
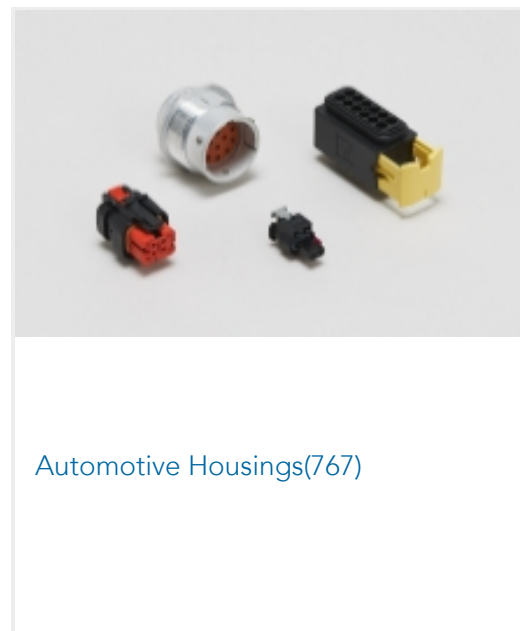
TE Part # CAT-D48-SP729  
DEUTSCH Sealing Plugs



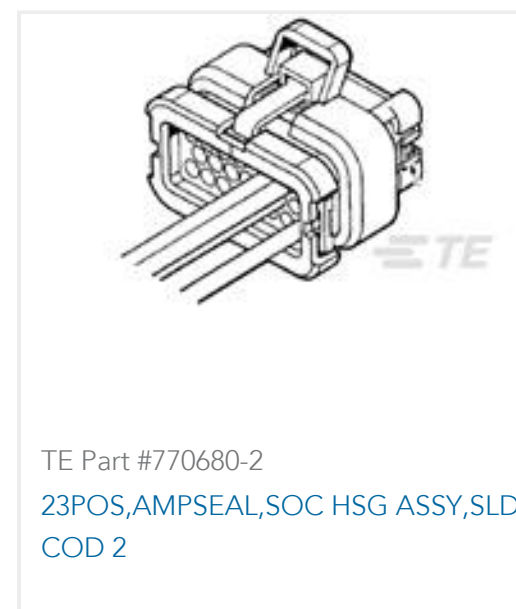
TE Part # DT-RT1  
EXT TOOL, FRONT RELEASE

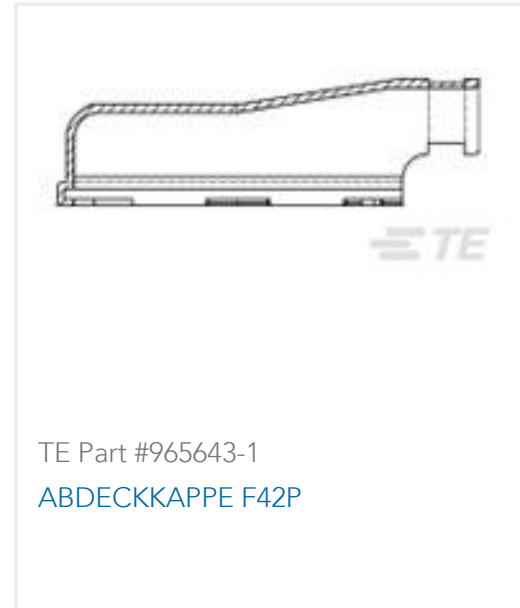
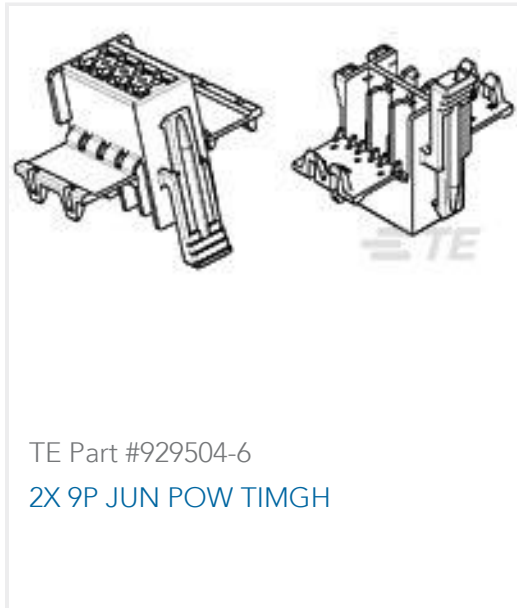


## Also in the Series | DEUTSCH DT



## Customers Also Bought





## Documents

### Product Drawings

PLG, 12P, BLK, N, CAP, B

English

### CAD Files

3D PDF

3D

Customer View Model

[ENG\\_CVM\\_CVM\\_DT06-12SB-EP04\\_C.2d\\_dxf.zip](#)

English

Customer View Model

[ENG\\_CVM\\_CVM\\_DT06-12SB-EP04\\_C.3d\\_igs.zip](#)

English

Customer View Model

[ENG\\_CVM\\_CVM\\_DT06-12SB-EP04\\_C.3d\\_stp.zip](#)

English

By downloading the CAD file I accept and agree to the [Terms and Conditions](#) of use.

### Datasheets & Catalog Pages

TERMINALS AND CONNECTORS

English

### Product Specifications

Application Specification

English

### Agency Approvals

UL Report

English