


KV Circuit breaker boxes with metric knockouts



FK 9259

- Cable junction box 1.5-10 mm², Cu

IP
66

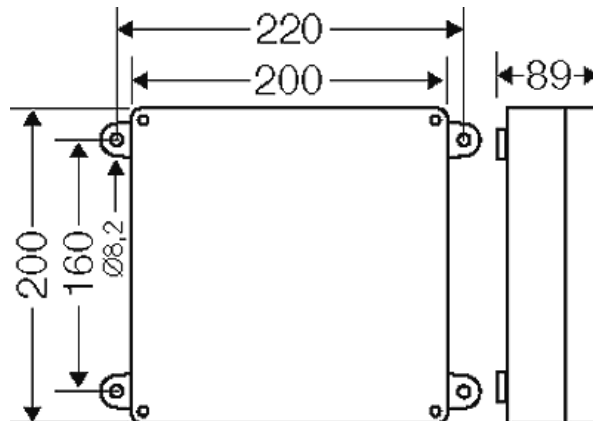
E30

- cable junction box with fused outgoing unit
- D 01 neozed fuse base
- 5-pole terminal with 2 connecting terminals, 2 junction terminals and 2 PE terminals, each 1.5-10 mm² sol
- terminal block made from ceramic with resistance to high temperatures
- mounted grommets 4 EDKF 40, sealing range Ø 11-30 mm, closed
- intrinsic fire resistance E 30 in accordance with DIN 4102 part 12
- the use of this equipment requires the approval from the building and regulatory authorities for the individual case
- tested with cable manufacturers Dätwyler and Nexans for the intrinsic fire resistance E30
- mounted using exterior wall fixings,
bore hole 8.2 mm(for dowels refer to technical data)
- for normal environment and protected outdoor
- colour: orange, RAL 2003


rated insulation voltage	U _i = 400 V a.c.
rated current:	40 A
material	Sheet steel, powder-coated
tightening torque for terminal	2,0 -2,4 Nm
degree of protection	IP 66
height	200 mm
width	200 mm
depth	80 mm
weight	2,65 kg
in accordance with	intrinsic fire resistance E 30 in accordance with DIN 4102 part 12

Drawings

Dimension drawing



KV Circuit breaker boxes with metric knockouts



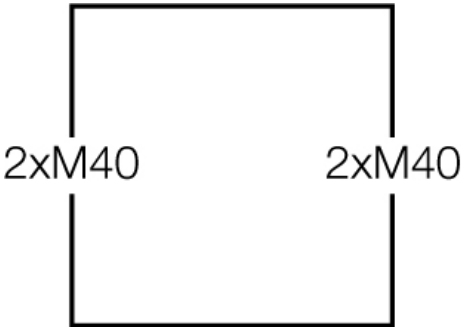
FK 9259

- Cable junction box 1.5-10 mm², Cu

IP
66

E30

Box walls



Operating and ambient conditions

Application area	Suitable for indoor installation and outdoor installation, protected against weather influences
Ambient temperature	Average value over 24 hours + 35 °C Maximum value + 40 °C Minimum value - 5 °C
Relative humidity	50% at 40° C short-time 100% at 25° C
Degree of protection against mechanical load	IK10 (20 Joule)
Toxic behaviour	Sheet steel, powder-coated halogen-free "halogen-free" in accordance with the examination of the cables and insulated wires - corrosiveness of fumes - as per IEC 60754-2