



Low-Noise, Precision, +2.5V/+4.096V/+5V Voltage References

MAX6225/MAX6241/MAX6250

General Description

The MAX6225/MAX6241/MAX6250 are low-noise, precision voltage references with extremely low 1ppm/°C temperature coefficients and excellent $\pm 0.02\%$ initial accuracy. These devices feature buried-zener technology for lowest noise performance. Load-regulation specifications are guaranteed for source and sink currents up to 15mA. Excellent line and load regulation and low output impedance at high frequency make them ideal for high-resolution data-conversion systems up to 16 bits.

The MAX6225 is set for 2.500V output, the MAX6241 is set for 4.096V output, and the MAX6250 is set for 5.000V output. All three provide for the option of external trimming and noise reduction.

Applications

- High-Resolution Analog-to-Digital and Digital-to-Analog Converters
- High-Accuracy Reference Standard
- High-Accuracy Industrial and Process Control
- Digital Voltmeters
- ATE Equipment
- Precision Current Sources

Features

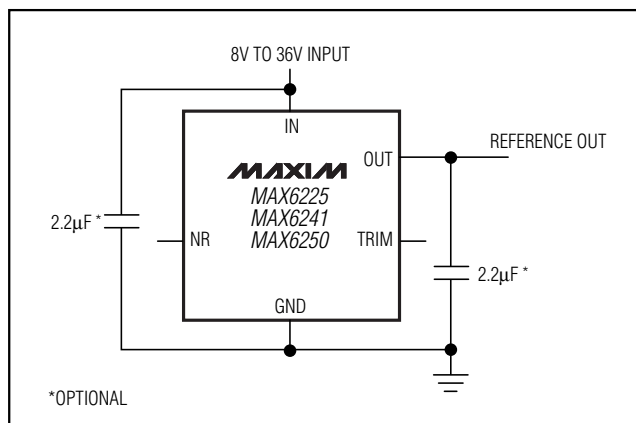
- ◆ Low 1.0ppm/°C Temperature Coefficient
- ◆ Very Low 1.5 μ Vp-p Noise (0.1Hz to 10Hz)
- ◆ $\pm 0.02\%$ Initial Accuracy
- ◆ ± 15 mA Output Source and Sink Current
- ◆ Low, 18mW Power Consumption (MAX6225)
- ◆ Industry-Standard Pinout
- ◆ Optional Noise Reduction and Voltage Trim
- ◆ Excellent Transient Response
- ◆ 8-Pin SO Package Available
- ◆ Low 20ppm/1000hr Long-Term Stability
- ◆ Stable for All Capacitive Loads

Ordering Information

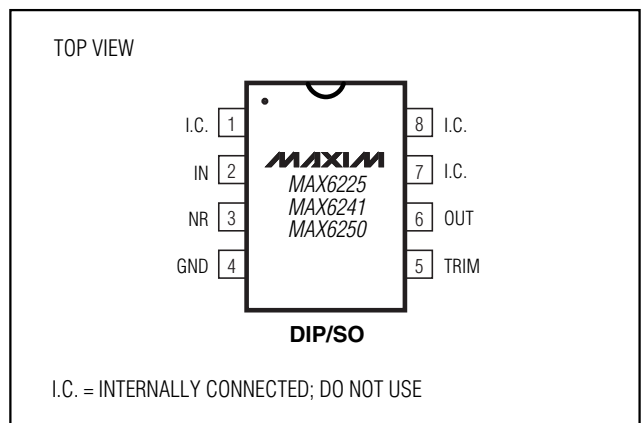
| PART | TEMP. RANGE | PIN-PACKAGE | MAX TEMPCO (ppm/°C) |
|-------------|-----------------|---------------|---------------------|
| MAX6225ACPA | 0°C to +70°C | 8 Plastic DIP | 2.0 |
| MAX6225BCPA | 0°C to +70°C | 8 Plastic DIP | 5.0 |
| MAX6225ACSA | 0°C to +70°C | 8 SO | 2.0 |
| MAX6225BCSA | 0°C to +70°C | 8 SO | 5.0 |
| MAX6225AEPA | -40°C to +85°C | 8 Plastic DIP | 3.0 |
| MAX6225BEPA | -40°C to +85°C | 8 Plastic DIP | 7.0 |
| MAX6225AESA | -40°C to +85°C | 8 SO | 3.0 |
| MAX6225BESA | -40°C to +85°C | 8 SO | 7.0 |
| MAX6225AMJA | -55°C to +125°C | 8 CERDIP | 5.0 |
| MAX6225BMJA | -55°C to +125°C | 8 CERDIP | 8.0 |

Ordering Information continued at end of data sheet.

Typical Operating Circuit



Pin Configuration



Low-Noise, Precision, +2.5V/+4.096V/+5V Voltage References

ABSOLUTE MAXIMUM RATINGS

(Voltages Referenced to GND)

| | |
|--|---------------|
| IN | -0.3V to +40V |
| OUT, TRIM | -0.3V to +12V |
| NR | -0.3V to +6V |
| OUT Short-Circuit to GND Duration ($V_{IN} \leq 12V$) | Continuous |
| OUT Short-Circuit to GND Duration ($V_{IN} \leq 40V$) | 5s |
| OUT Short-Circuit to IN Duration ($V_{IN} \leq 12V$) | Continuous |
| Continuous Power Dissipation ($T_A = +70^\circ C$) | |
| 8-Pin Plastic DIP (derate 9.09mW/ $^\circ C$ above $+70^\circ C$) | 727mW |
| 8-Pin SO (derate 5.88mW/ $^\circ C$ above $+70^\circ C$) | 471mW |
| 8-Pin CERDIP (derate 8.00mW/ $^\circ C$ above $+70^\circ C$) | 640mW |

Operating Temperature Ranges

| | |
|-----------------------------------|-----------------|
| MAX62__C_A | 0°C to +70°C |
| MAX62__E_A | -40°C to +85°C |
| MAX62__MJA | -55°C to +125°C |
| Storage Temperature Range | -65°C to +150°C |
| Lead Temperature (soldering, 10s) | +300°C |

Stresses beyond those listed under "Absolute Maximum Ratings" may cause permanent damage to the device. These are stress ratings only, and functional operation of the device at these or any other conditions beyond those indicated in the operational sections of the specifications is not implied. Exposure to absolute maximum rating conditions for extended periods may affect device reliability.

ELECTRICAL CHARACTERISTICS—MAX6225

($V_{IN} = +10V$, $I_{OUT} = 0mA$, $T_A = T_{MIN}$ to T_{MAX} , unless otherwise noted. Typical values are at $T_A = +25^\circ C$.)

| PARAMETER | SYMBOL | CONDITIONS | T_A | MIN | TYP | MAX | UNITS |
|---|----------------------------------|----------------------------|---------|-------|-------|-------|-----------------|
| Input Voltage Range | V_{IN} | | C, E, M | 8 | | 36 | V |
| Output Voltage | V_{OUT} | MAX6225A | +25°C | 2.499 | 2.500 | 2.501 | V |
| | | MAX6225B | +25°C | 2.497 | 2.500 | 2.503 | |
| Output Voltage Temperature Coefficient (Note 1) | TCV_{OUT} | MAX6225AC_A | C | | 1.0 | 2.0 | ppm/ $^\circ C$ |
| | | MAX6225AE_A | E | | 1.5 | 3.0 | |
| | | MAX6225AMJA | M | | 2.0 | 5.0 | |
| | | MAX6225BC_A | C | | 2.5 | 5.0 | |
| | | MAX6225BE_A | E | | 2.5 | 7.0 | |
| | | MAX6225BMJA | M | | 2.5 | 8.0 | |
| Line Regulation (Note 2) | $\Delta V_{OUT} / \Delta V_{IN}$ | $8V \leq V_{IN} \leq 10V$ | +25°C | | 10 | 18 | ppm/V |
| | | | C | | | 30 | |
| | | | E | | | 35 | |
| | | | M | | | 45 | |
| | | $10V \leq V_{IN} \leq 36V$ | +25°C | | 2 | 5 | |
| | | | C | | | 7 | |
| | | | E | | | 8 | |
| | | | M | | | 10 | |

Low-Noise, Precision, +2.5V/+4.096V/+5V Voltage References

ELECTRICAL CHARACTERISTICS—MAX6225 (continued)

($V_{IN} = +10V$, $I_{OUT} = 0mA$, $T_A = T_{MIN}$ to T_{MAX} , unless otherwise noted. Typical values are at $T_A = +25^{\circ}C$.)

| PARAMETER | SYMBOL | CONDITIONS | T_A | MIN | TYP | MAX | UNITS |
|-------------------------------|---------------------------------|--|---------|-----|-----|-----|----------------|
| Load Regulation (Note 2) | $\Delta V_{OUT}/\Delta I_{OUT}$ | Sourcing: $0mA \leq I_{OUT} \leq 15mA$ | C | | 1 | 6 | ppm/mA |
| | | | E | | 1 | 7 | |
| | | | M | | 3 | 15 | |
| | | Sinking: $-15mA \leq I_{OUT} \leq 0mA$ | C | | 1 | 6 | |
| | | | E | | 1 | 7 | |
| | | | M | | 10 | 30 | |
| Supply Current | I_{IN} | | +25°C | | 1.8 | 2.7 | mA |
| | | | C, E, M | | | 3.0 | |
| Trim-Adjustment Range | ΔV_{OUT} | Figure 1 | C, E, M | ±15 | ±25 | | mV |
| Turn-On Settling Time | t_{ON} | To ±0.01% of final value | +25°C | | 5 | | µs |
| Output Noise Voltage (Note 3) | e_n | 0.1Hz ≤ f ≤ 10Hz | +25°C | | 1.5 | | µVp-p |
| | | 10Hz ≤ f ≤ 1kHz | +25°C | | 1.3 | 2.8 | µVRMS |
| Temperature Hysteresis | | (Note 4) | +25°C | | 20 | | ppm |
| Long-Term Stability | $\Delta V_{OUT} / t$ | | +25°C | | 20 | | ppm/ 1000hr |

MAX6225/MAX6241/MAX6250

Low-Noise, Precision, +2.5V/+4.096V/+5V Voltage References

ELECTRICAL CHARACTERISTICS—MAX6241

($V_{IN} = +10V$, $I_{OUT} = 0mA$, $T_A = T_{MIN}$ to T_{MAX} , unless otherwise noted. Typical values are at $T_A = +25^\circ C$.)

| PARAMETER | SYMBOL | CONDITIONS | T_A | MIN | TYP | MAX | UNITS |
|---|-----------------------------------|--|---------|-------|-------|-------|------------|
| Input Voltage Range | V_{IN} | | C, E, M | 8 | | 36 | V |
| Output Voltage | V_{OUT} | MAX6241A | +25°C | 4.095 | 4.096 | 4.097 | V |
| | | MAX6241B | +25°C | 4.092 | 4.096 | 4.100 | |
| Output Voltage Temperature Coefficient (Note 1) | TCV_{OUT} | MAX6241AC_A | C | | 1.0 | 2.0 | ppm/°C |
| | | MAX6241AE_A | E | | 1.5 | 3.0 | |
| | | MAX6241AMJA | M | | 2.0 | 5.0 | |
| | | MAX6241BC_A | C | | 2.5 | 5.0 | |
| | | MAX6241BE_A | E | | 2.5 | 7.0 | |
| | | MAX6241BMJA | M | | 2.5 | 8.0 | |
| Line Regulation (Note 2) | $\Delta V_{OUT} / \Delta V_{IN}$ | $8V \leq V_{IN} \leq 10V$ | +25°C | | 10 | 18 | ppm/V |
| | | | C | | | 30 | |
| | | | E | | | 35 | |
| | | | M | | | 45 | |
| | | $10V \leq V_{IN} \leq 36V$ | +25°C | | 2 | 5 | |
| | | | C | | | 7 | |
| | | | E | | | 8 | |
| | | | M | | | 10 | |
| Load Regulation (Note 2) | $\Delta V_{OUT} / \Delta I_{OUT}$ | Sourcing: $0mA \leq I_{OUT} \leq 15mA$ | C | | 1 | 6 | ppm/mA |
| | | | E | | 1 | 7 | |
| | | | M | | 3 | 9 | |
| | | Sinking: $-15mA \leq I_{OUT} \leq 0mA$ | C | | 1 | 6 | |
| | | | E | | 1 | 7 | |
| | | | M | | 7 | 18 | |
| Supply Current | I_{IN} | | +25°C | | 1.9 | 2.9 | mA |
| | | | C, E, M | | | 3.2 | |
| Trim-Adjustment Range | ΔV_{OUT} | Figure 1 | C, E, M | ±24 | ±40 | | mV |
| Turn-On Settling Time | t_{ON} | To ±0.01% of final value | +25°C | | 8 | | μs |
| Output Noise Voltage (Note 3) | e_n | $0.1Hz \leq f \leq 10Hz$ | +25°C | | 2.4 | | μVp-p |
| | | $10Hz \leq f \leq 1kHz$ | +25°C | | 2.0 | 4.0 | μVRMS |
| Temperature Hysteresis | | (Note 4) | +25°C | | 20 | | ppm |
| Long-Term Stability | $\Delta V_{OUT} / t$ | | +25°C | | 20 | | ppm/1000hr |

Low-Noise, Precision, +2.5V/+4.096V/+5V Voltage References

ELECTRICAL CHARACTERISTICS—MAX6250

($V_{IN} = +10V$, $I_{OUT} = 0mA$, $T_A = T_{MIN}$ to T_{MAX} , unless otherwise noted. Typical values are at $T_A = +25^{\circ}C$.)

| PARAMETER | SYMBOL | CONDITIONS | T_A | MIN | TYP | MAX | UNITS |
|---|-----------------------------------|--|---------|-------|-------|-------|------------|
| Input Voltage Range | V_{IN} | | C, E, M | 8 | | 36 | V |
| Output Voltage | V_{OUT} | MAX6250A | +25°C | 4.999 | 5.000 | 5.001 | V |
| | | MAX6250B | +25°C | 4.995 | 5.000 | 5.005 | |
| Output Voltage Temperature Coefficient (Note 1) | TCV_{OUT} | MAX6250AC_A | C | | 1.0 | 2.0 | ppm/°C |
| | | MAX6250AE_A | E | | 1.5 | 3.0 | |
| | | MAX6250AMJA | M | | 2.0 | 5.0 | |
| | | MAX6250BC_A | C | | 2.5 | 5.0 | |
| | | MAX6250BE_A | E | | 2.5 | 7.0 | |
| | | MAX6250BMJA | M | | 2.5 | 8.0 | |
| Line Regulation (Note 2) | $\Delta V_{OUT} / \Delta V_{IN}$ | $8V \leq V_{IN} \leq 10V$ | +25°C | | 10 | 18 | ppm/V |
| | | | C | | | 30 | |
| | | | E | | | 35 | |
| | | | M | | | 45 | |
| | | $10V \leq V_{IN} \leq 36V$ | +25°C | | 2 | 5 | |
| | | | C | | | 7 | |
| | | | E | | | 8 | |
| | | | M | | | 10 | |
| Load Regulation (Note 2) | $\Delta V_{OUT} / \Delta I_{OUT}$ | Sourcing: $0mA \leq I_{OUT} \leq 15mA$ | C | | 1 | 6 | ppm/mA |
| | | | E | | 1 | 7 | |
| | | | M | | 2 | 9 | |
| | | Sinking: $-15mA \leq I_{OUT} \leq 0mA$ | C | | 1 | 6 | |
| | | | E | | 1 | 7 | |
| | | | M | | 6 | 15 | |
| Supply Current | I_{IN} | | +25°C | | 2.0 | 3.0 | mA |
| | | | C, E, M | | | 3.3 | |
| Trim-Adjustment Range | ΔV_{OUT} | Figure 1 | C, E, M | ±30 | ±50 | | mV |
| Turn-On Settling Time | t_{on} | To ±0.01% of final value | +25°C | | 10 | | μs |
| Output Noise Voltage (Note 3) | e_n | $0.1Hz \leq f \leq 10Hz$ | +25°C | | 3.0 | | μVp-p |
| | | $10Hz \leq f \leq 1kHz$ | +25°C | | 2.5 | 5.0 | μVRMS |
| Temperature Hysteresis | | (Note 4) | +25°C | | 20 | | ppm |
| Long-Term Stability | $\Delta V_{OUT} / t$ | | +25°C | | 20 | | ppm/1000hr |

Note 1: Temperature coefficient is measured by the box method; i.e., the maximum ΔV_{OUT} is divided by $\Delta T \times V_{OUT}$.

Note 2: Line regulation ($\Delta V_{OUT} / (V_{OUT} \times \Delta V_{IN})$) and load regulation ($\Delta V_{OUT} / (V_{OUT} \times \Delta I_{OUT})$) are measured with pulses and do not include output voltage changes due to die-temperature changes.

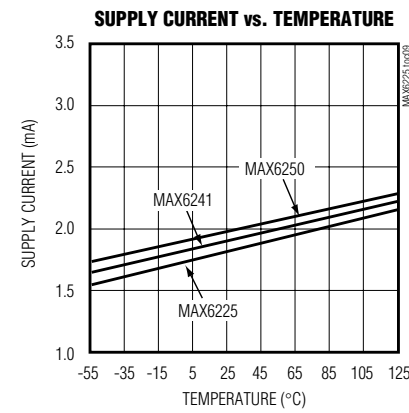
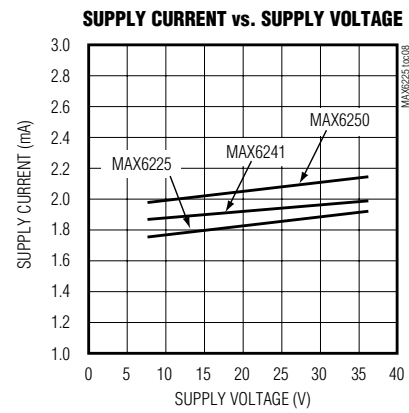
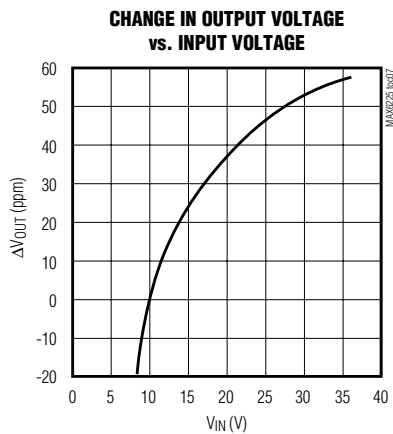
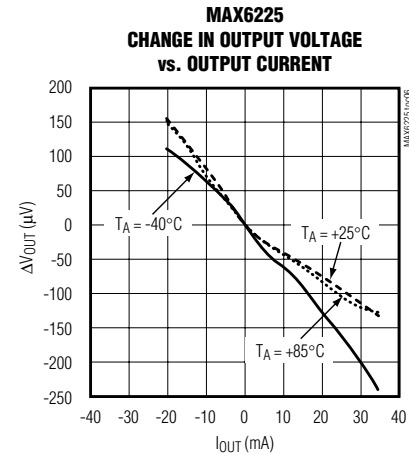
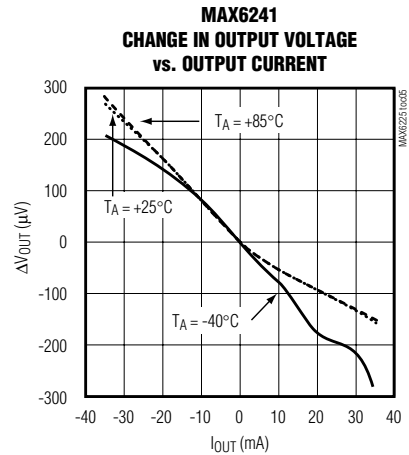
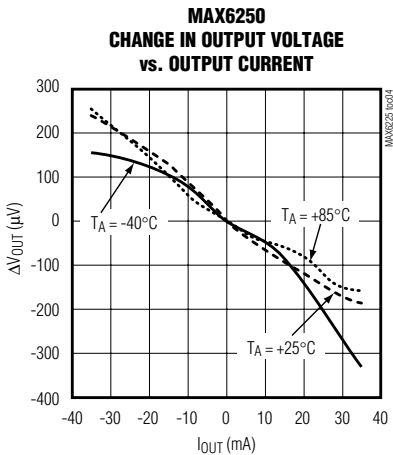
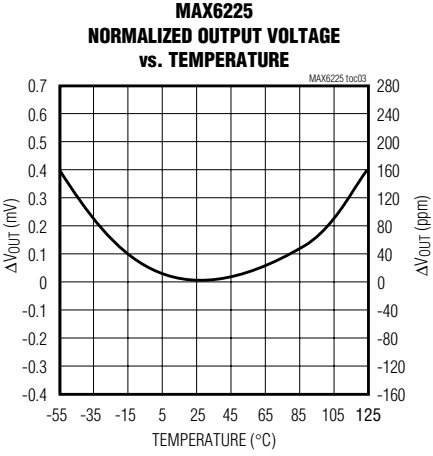
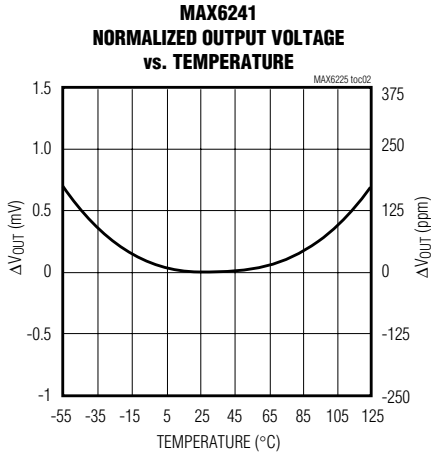
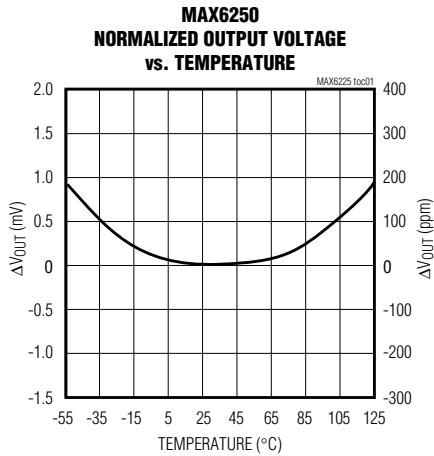
Note 3: Noise specifications are guaranteed by design.

Note 4: Temperature hysteresis is specified at $T_A = +25^{\circ}C$ by measuring V_{OUT} before and after changing temperature by $+25^{\circ}C$ using the PDIP package.

Low-Noise, Precision, +2.5V/+4.096V/+5V Voltage References

Typical Operating Characteristics

($V_{IN} = +10V$, $I_{OUT} = 0mA$, $T_A = +25^\circ C$, unless otherwise noted.)



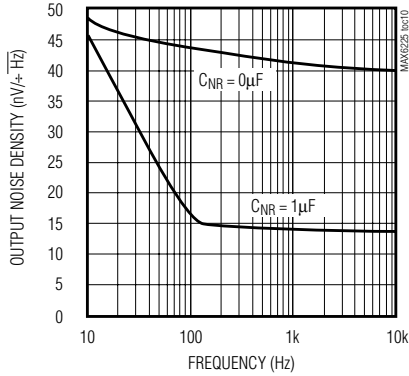
Low-Noise, Precision, +2.5V/+4.096V/+5V Voltage References

Typical Operating Characteristics (continued)

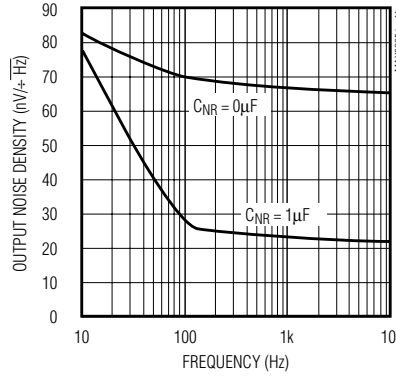
($V_{IN} = 10V$, $I_{OUT} = 0mA$, $T_A = +25^\circ C$, unless otherwise noted.)

MAX6225/MAX6241/MAX6250

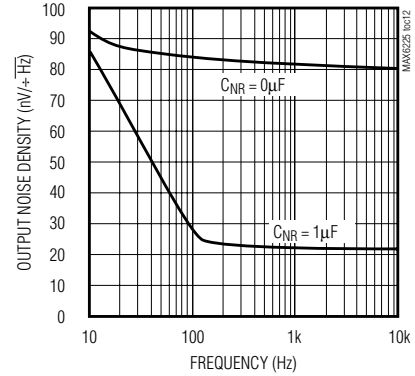
**MAX6225
OUTPUT NOISE-VOLTAGE
DENSITY vs. FREQUENCY**



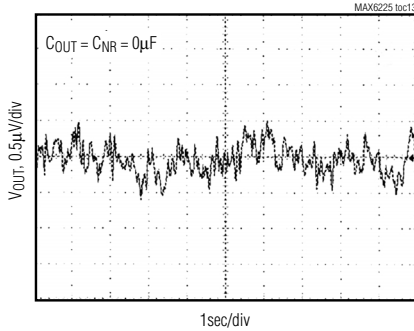
**MAX6241
OUTPUT NOISE-VOLTAGE
DENSITY vs. FREQUENCY**



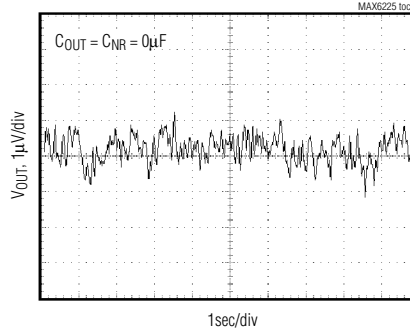
**MAX6250
OUTPUT NOISE-VOLTAGE
DENSITY vs. FREQUENCY**



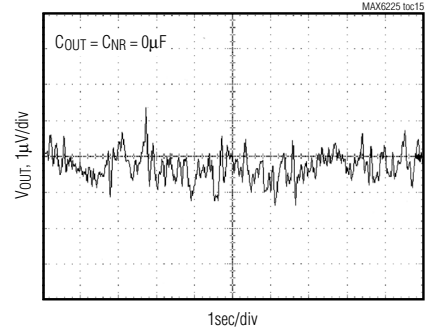
**MAX6225
0.1Hz to 10Hz NOISE**



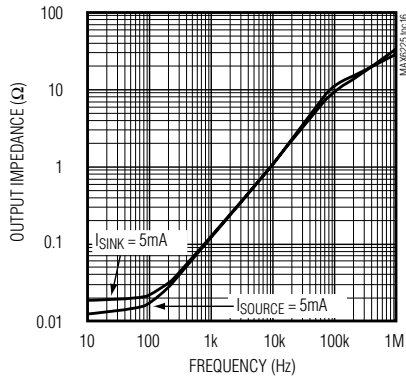
**MAX6241
0.1Hz to 10Hz NOISE**



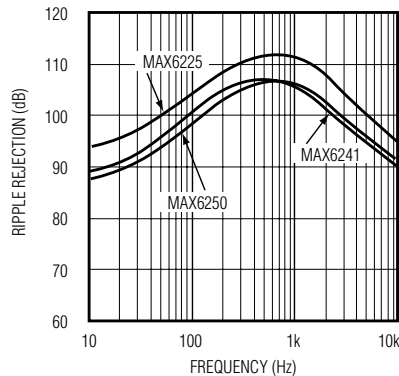
**MAX6250
0.1Hz to 10Hz NOISE**



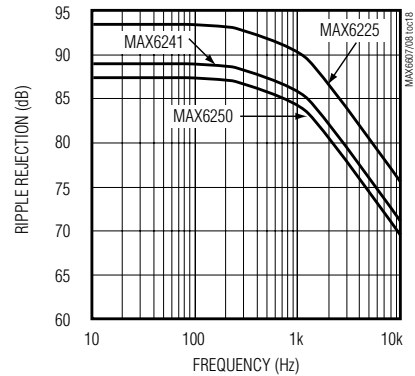
OUTPUT IMPEDANCE vs. FREQUENCY



**RIPPLE REJECTION
vs. FREQUENCY (C_{NR} = 1μF)**



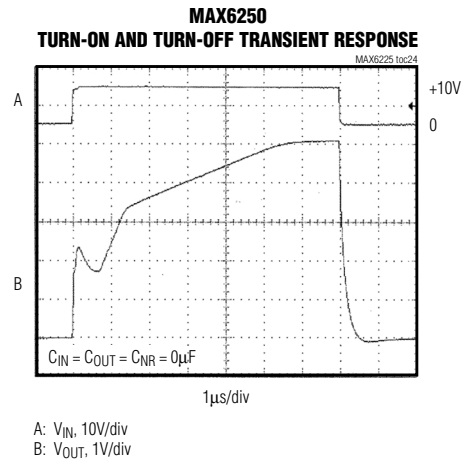
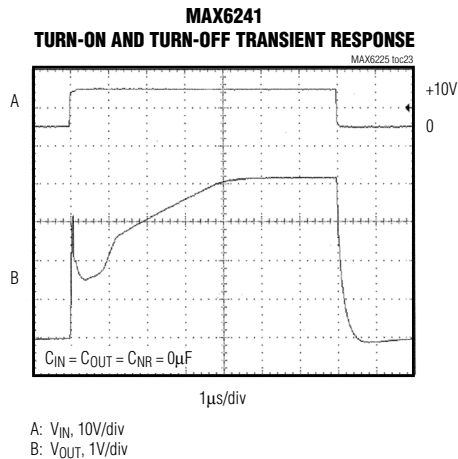
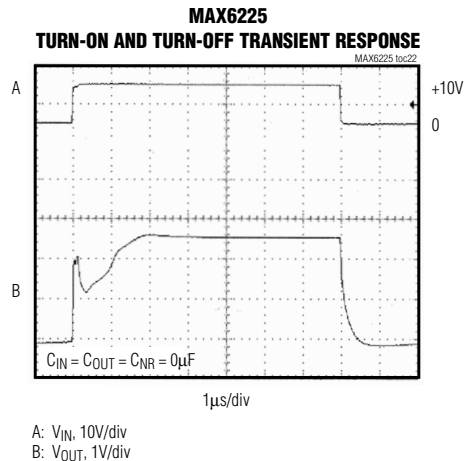
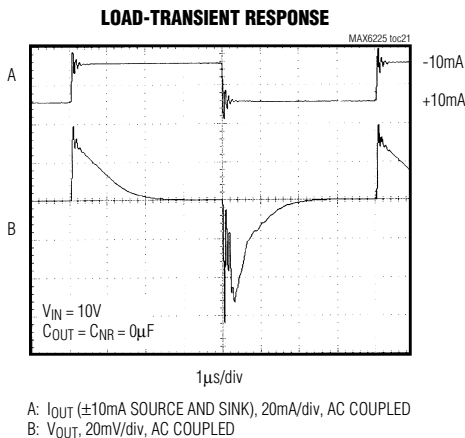
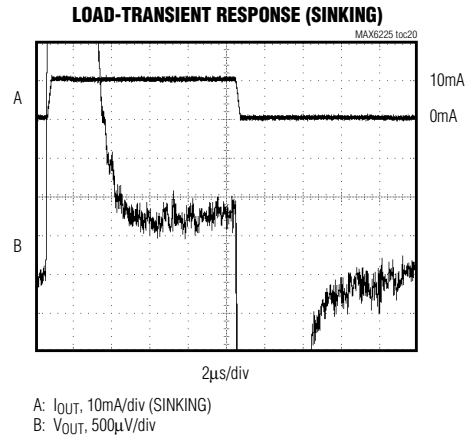
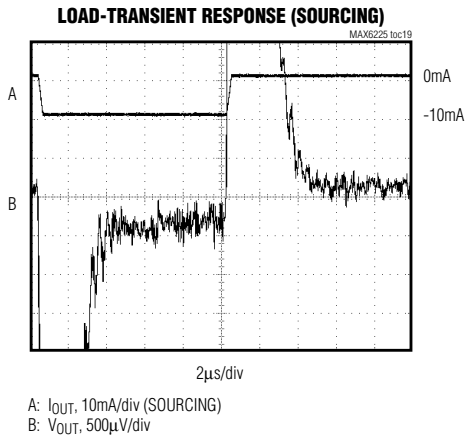
**RIPPLE REJECTION
vs. FREQUENCY (C_{NR} = 0μF)**



Low-Noise, Precision, +2.5V/+4.096V/+5V Voltage References

Typical Operating Characteristics (continued)

($V_{IN} = 10V$, $I_{OUT} = 0mA$, $T_A = +25^{\circ}C$, unless otherwise noted.)



Low-Noise, Precision, +2.5V/+4.096V/+5V Voltage References

MAX6225/MAX6241/MAX6250

Pin Description

| PIN | NAME | FUNCTION |
|---------|------|---|
| 1, 7, 8 | I.C. | Internally Connected. Do not use. |
| 2 | IN | Positive Power-Supply Input |
| 3 | NR | Noise Reduction. Optional capacitor connection for wideband noise reduction. Leave open if not used (Figure 2). |
| 4 | GND | Ground |
| 5 | TRIM | External Trim Input. Allows $\pm 1\%$ output adjustment (Figure 1). Leave open if not used. |
| 6 | OUT | Voltage Reference Output |

Detailed Description

Temperature Stability

The MAX6225/MAX6241/MAX6250 are highly stable, low-noise voltage references that use a low-power temperature-compensation scheme to achieve laboratory-standard temperature stability. This produces a nearly flat temperature curve, yet does not require the power associated with heated references.

The output voltage can be trimmed a minimum of 0.6% by connecting a 10k Ω potentiometer between OUT and GND, and connecting its tap to the TRIM pin, as shown in Figure 1. The external trimming does not affect temperature stability.

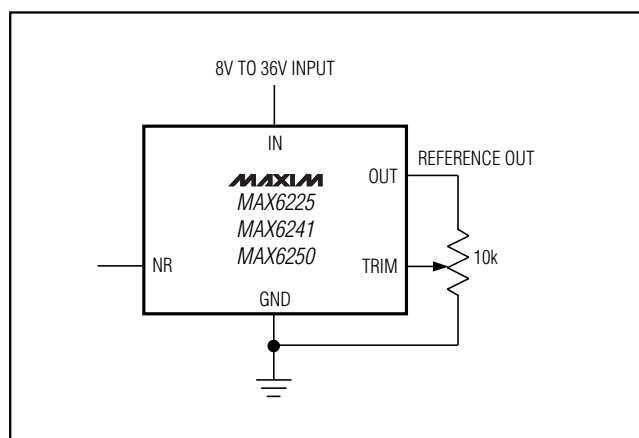


Figure 1. Output Voltage Adjustment

Noise Reduction

To augment wideband noise reduction, add a 1 μ F capacitor to the NR pin (Figure 2). Larger values do not improve noise appreciably (see *Typical Operating Characteristics*).

Noise in the power-supply input can affect output noise, but can be reduced by adding an optional bypass capacitor to the IN pin and GND.

Bypassing

The MAX6225/MAX6241/MAX6250 are stable with capacitive load values from 0 μ F to 100 μ F, for all values of load current. Adding an output bypass capacitor can help reduce noise and output glitching caused by load transients.

Applications Information

Negative Regulator

Figure 3 shows how both a +5V and -5V precision reference can be obtained from a single unregulated +5V supply. A MAX865 generates approximately ± 9 V to operate the MAX6250 reference and MAX432 inverting amplifier. The +5V is inverted by the MAX432 chopper-stabilized amplifier. Resistor R1 is optional, and may be used to trim the ± 5 V references. R2 and R4 should be matched, both in absolute resistance and temperature coefficient. R3 is optional, and is adjusted to set the -5V reference.

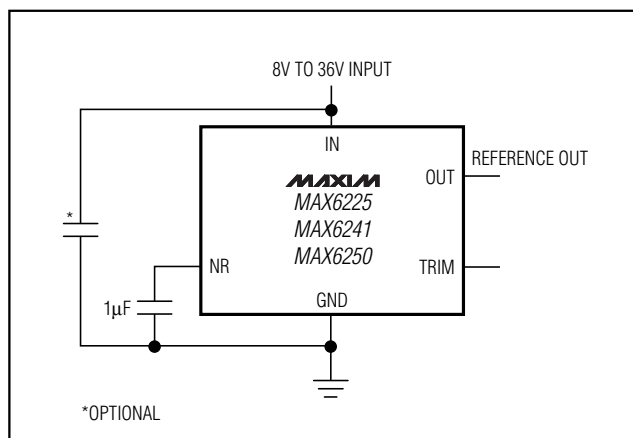


Figure 2. Noise-Reduction Capacitor

Low-Noise, Precision, +2.5V/+4.096V/+5V Voltage References

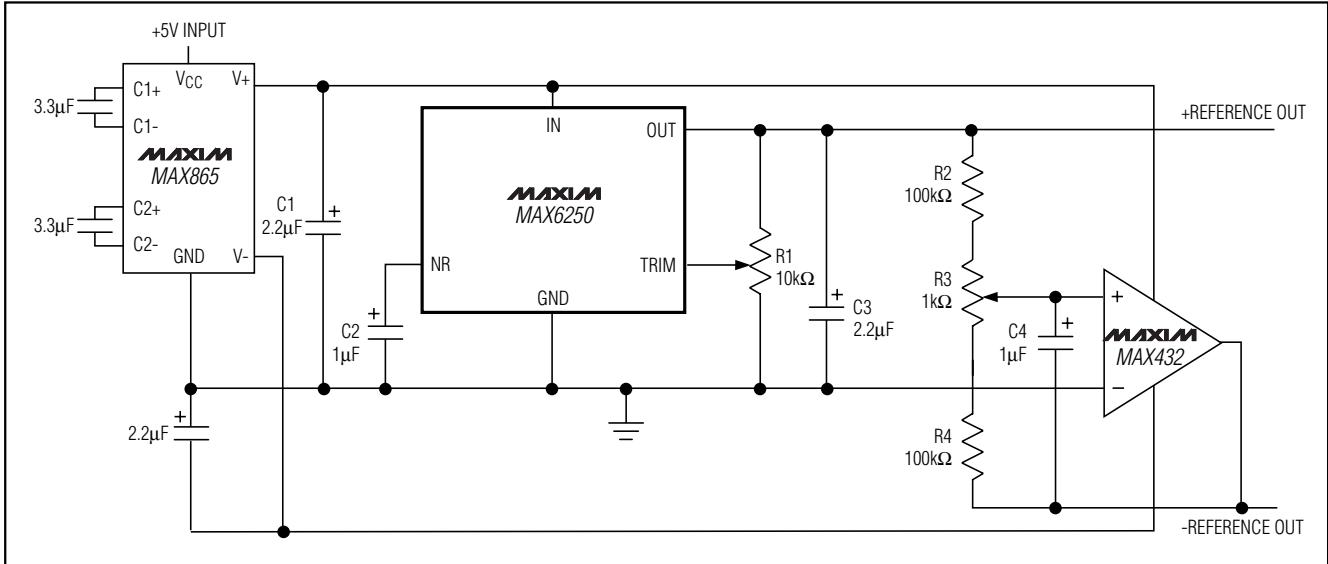


Figure 3. +5V and -5V References from a Single +5V Supply

Ordering Information (continued)

| PART | TEMP. RANGE | PIN-PACKAGE | MAX TEMPCO (ppm/°C) |
|---------------------|-----------------|---------------|---------------------|
| MAX6241 ACPA | 0°C to +70°C | 8 Plastic DIP | 2.0 |
| MAX6241BCPA | 0°C to +70°C | 8 Plastic DIP | 5.0 |
| MAX6241ACSA | 0°C to +70°C | 8 SO | 2.0 |
| MAX6241BCSA | 0°C to +70°C | 8 SO | 5.0 |
| MAX6241AEPA | -40°C to +85°C | 8 Plastic DIP | 3.0 |
| MAX6241BEPA | -40°C to +85°C | 8 Plastic DIP | 7.0 |
| MAX6241AESA | -40°C to +85°C | 8 SO | 3.0 |
| MAX6241BESA | -40°C to +85°C | 8 SO | 7.0 |
| MAX6241AMJA | -55°C to +125°C | 8 CERDIP | 5.0 |
| MAX6241BMJA | -55°C to +125°C | 8 CERDIP | 8.0 |
| MAX6250 ACPA | 0°C to +70°C | 8 Plastic DIP | 2.0 |
| MAX6250BCPA | 0°C to +70°C | 8 Plastic DIP | 5.0 |
| MAX6250ACSA | 0°C to +70°C | 8 SO | 2.0 |
| MAX6250BCSA | 0°C to +70°C | 8 SO | 5.0 |
| MAX6250AEPA | -40°C to +85°C | 8 Plastic DIP | 3.0 |
| MAX6250BEPA | -40°C to +85°C | 8 Plastic DIP | 7.0 |
| MAX6250AESA | -40°C to +85°C | 8 SO | 3.0 |
| MAX6250BESA | -40°C to +85°C | 8 SO | 7.0 |
| MAX6250AMJA | -55°C to +125°C | 8 CERDIP | 5.0 |
| MAX6250BMJA | -55°C to +125°C | 8 CERDIP | 8.0 |

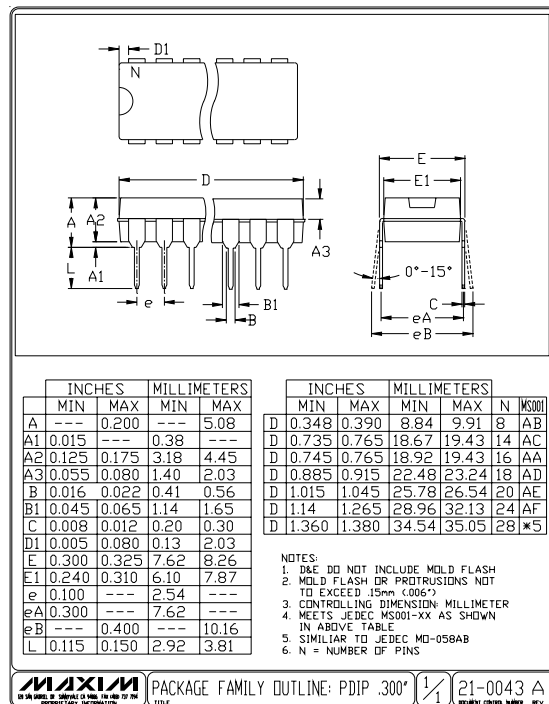
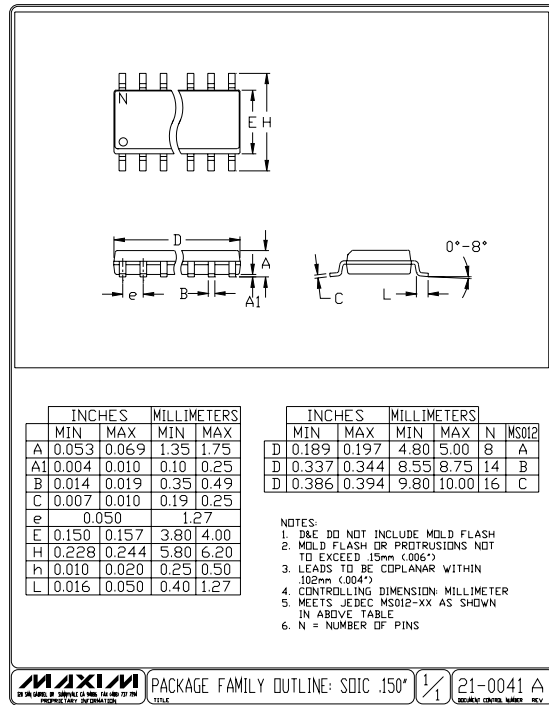
Chip Information

TRANSISTOR COUNT: 435

Low-Noise, Precision, +2.5V/+4.096V/+5V Voltage References

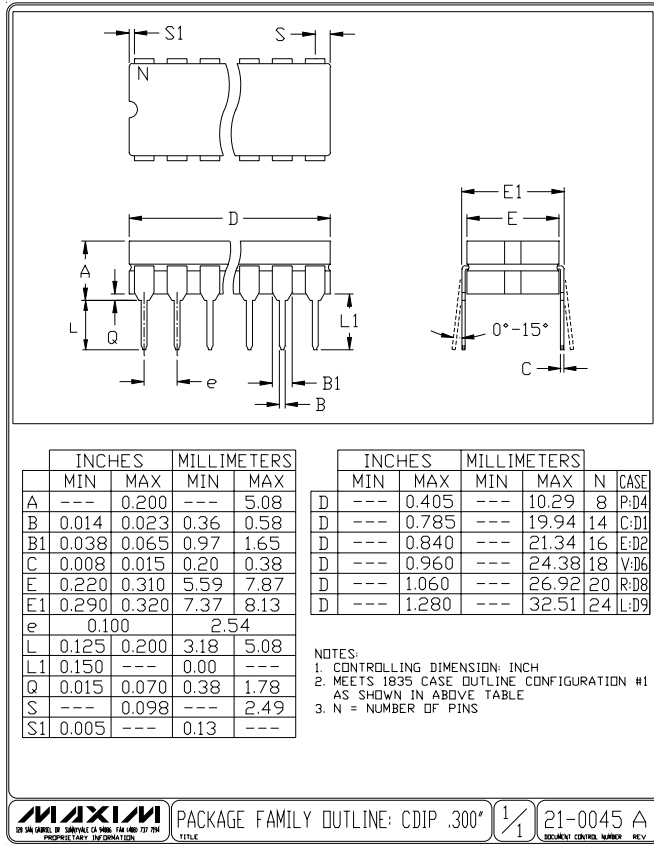
Package Information

MAX6225/MAX6241/MAX6250



Low-Noise, Precision, +2.5V/+4.096V/+5V Voltage References

Package Information (continued)



MAXIM INTEGRATED PRODUCTS
 PACKAGE FAMILY OUTLINE: CDIP .300*
 21-0045 A
 DOCUMENT CONTROL NUMBER REV

Maxim cannot assume responsibility for use of any circuitry other than circuitry entirely embodied in a Maxim product. No circuit patent licenses are implied. Maxim reserves the right to change the circuitry and specifications without notice at any time.

12 Maxim Integrated Products, 120 San Gabriel Drive, Sunnyvale, CA 94086 408-737-7600