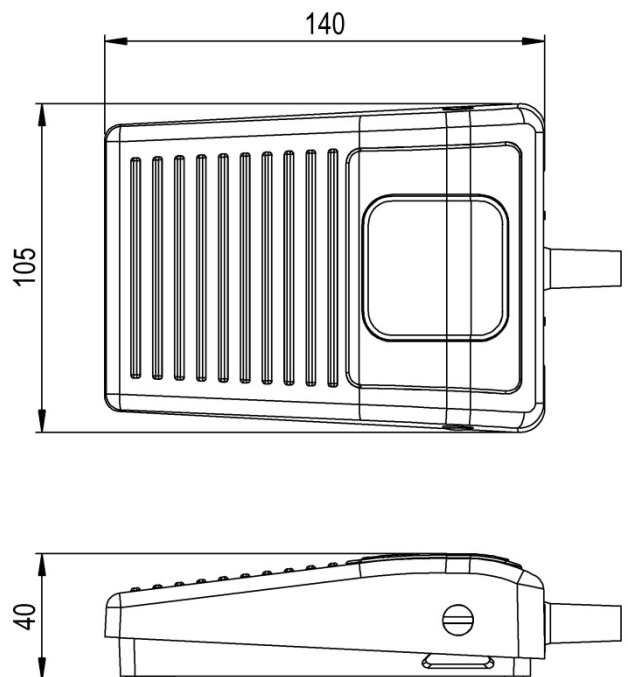


Datasheet

USB Footswitch

RS Stock No. 474-537



FEATURES:

- BLACK PLASTIC FOOTSWITCH.
- RATED 20mA 5V (IPX2).
- 2.5M CABLE LENGTH AS STANDARD.
- NO SOFTWARE OR DRIVERS ARE NEEDED TO BE INSTALLED ONTO THE HOST PC... JUST PLUG IN!
(COMPATIBLE WITH ALL WINDOWS OPERATING SYSTEMS).
- FUNCTIONS SET BY CUSTOMER WITH INTERNAL SWITCHES.
- ANY KEYBOARD KEY (OR COMBINATION OF UP TO FOUR KEYS) MAY BE EMULATED.
- MULTI-KEYSTROKE FUNCTIONS AVAILABLE ON EACH SWITCH. (E.G. CTRL/ALT/DEL).
- MULTIPLE FOOTSWITCHES MAY BE CONNECTED TO ONE PC.
- CAN BE USED FOR MEDICAL/DENTAL IMAGING, TRANSCRIPTION, VIDEO/SOUND EDITING, GAMING AND ANY OTHER APPLICATION WHERE REPEATED KEYSTROKES ARE REQUIRED.