

## Data sheet

Art.No.: 96.031.1053.1

Device connector RST20i3F B2 M01 SW

RST20i3 device connector M25, 3 pole, female, spring clamp connection, application 250V with PE, 20A, coding color black



Art.No.	96.031.1053.1
EAN	4015573743717
Order Unit	1

Certificates / Approvals



## Technical data

### General

Rated current	20 A
Rated voltage	250 V
Pollution degree	3
Rated impulse voltage	4 kV
Lockable	self-locking (unlocking by tool)
Color of coding/ contact carrier	black
Marking of poles	L, N, PE

### Connection Data

Connection cross section solid mm <sup>2</sup> max.	2.5 mm <sup>2</sup>
Connection cross section solid mm <sup>2</sup> min.	0.5 mm <sup>2</sup>
Connection cross section fine stranded mm <sup>2</sup> max.	1.5 mm <sup>2</sup>
Connection cross section fine stranded mm <sup>2</sup> min.	0.5 mm <sup>2</sup>
Terminations per pole	2
Wire strip length	14.5 mm

### Model

Model	female
Connection type	Spring clamp connection
Connecting thread metric	M25
Angle of plug	straight
Degree of protection (IP)	IP66/68 (3m;2h) /IP69
Thickness of housings (electrical device) 2	0.5 mm
Thickness of housings (electrical device)	8 mm

### Material

Housing material	Polyamide
------------------	-----------

halogen free	Yes
Contact material	CuZn
Fire load	0.137 kWh
Insulation components continuous temperature	100 °C
Surface finish	Silver-plated

**Dimensions**

Length	46.6 mm
Width	35 mm
Height	35 mm

**Classification**

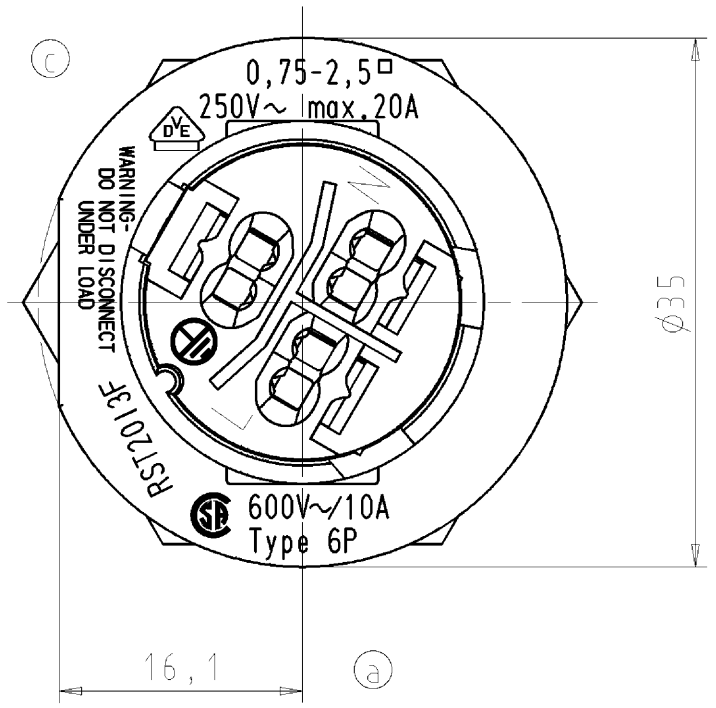
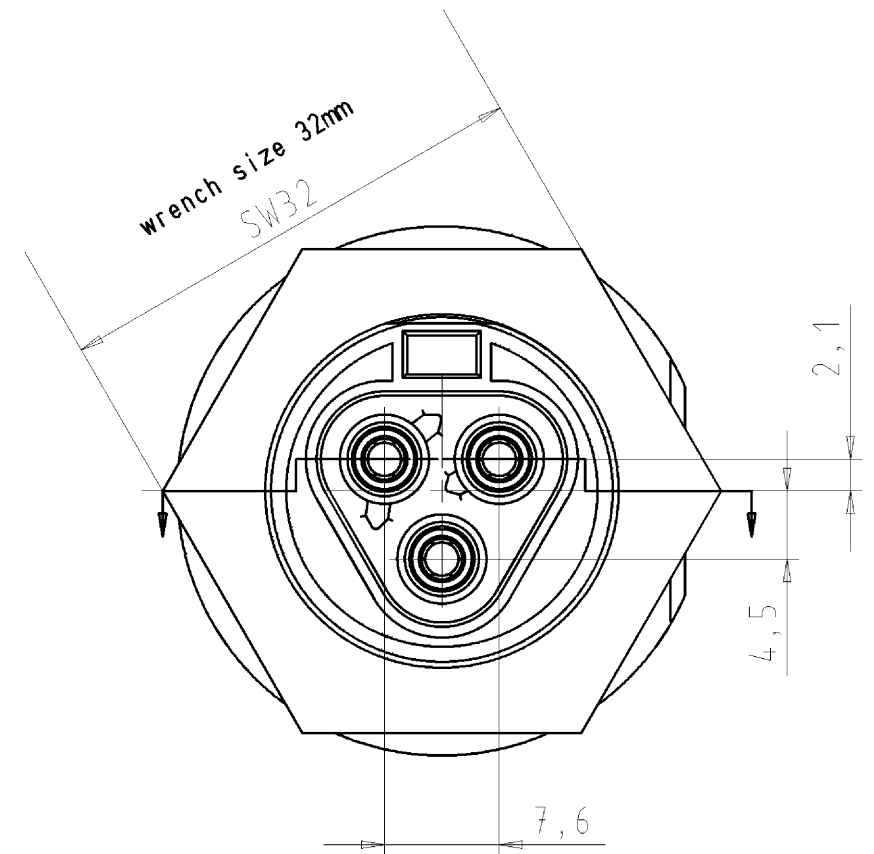
ECLASS 8.1	27440602
ETIM 7.0	EC002566
ETIM 6.0	EC002566
ETIM 5.0	EC002566
ETIM 4.0	EC002566

**Note**

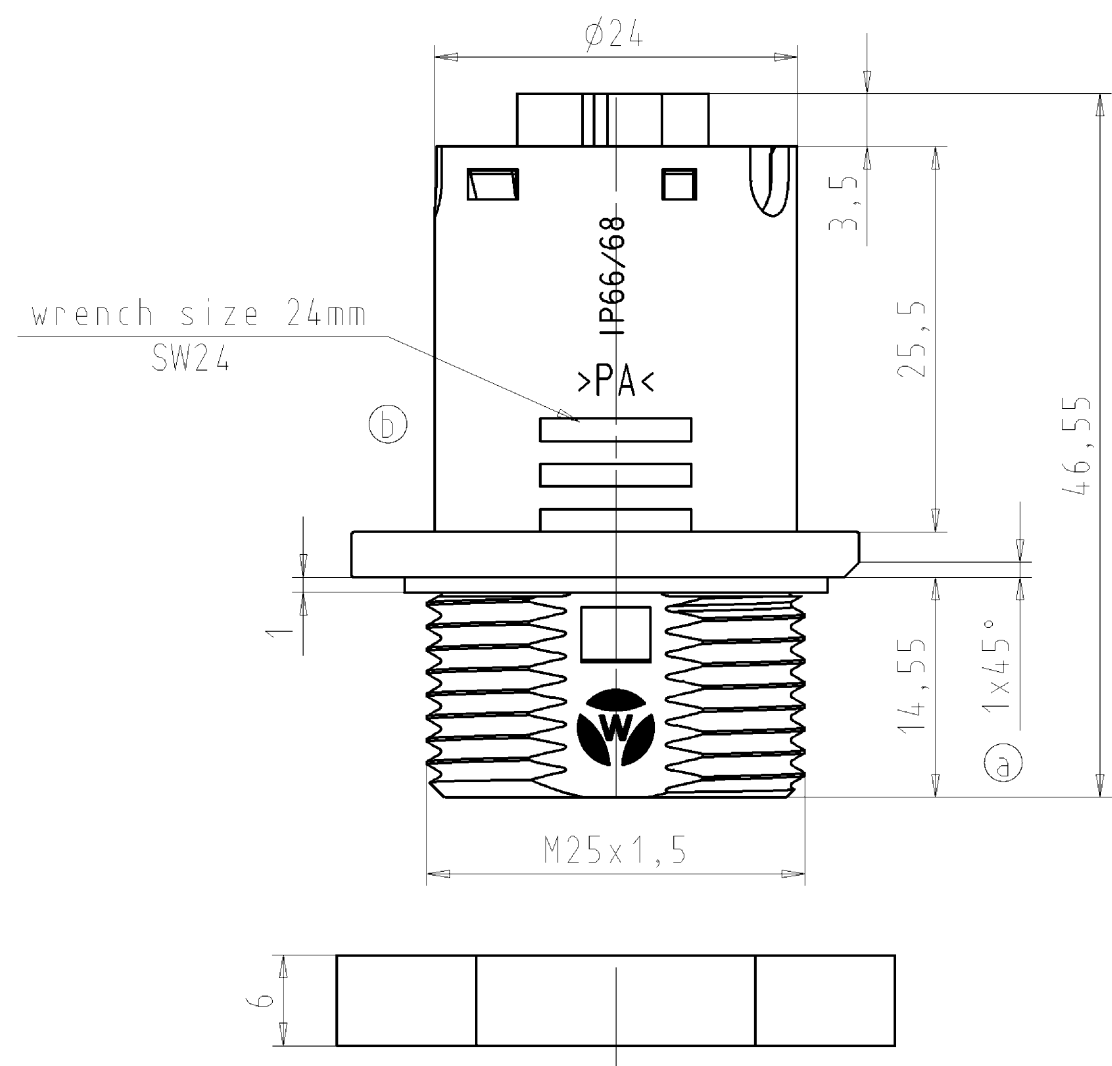
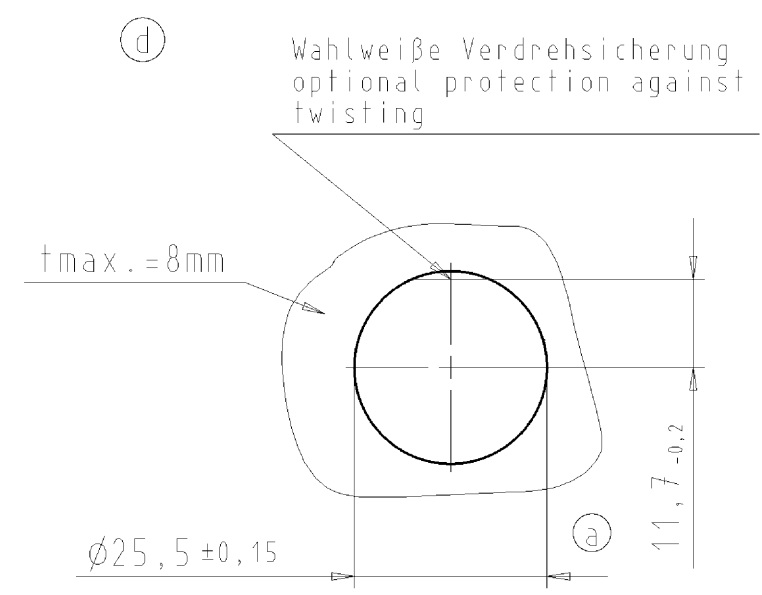
Note	Fine stranded and stranded conductors require cable end sleeve; Positioning realised with flattened thread
------	---

These dimensions will be especially checked at delivery  
 Only inspection dimensions  
 With /E marked dimensions are only valid for internal use

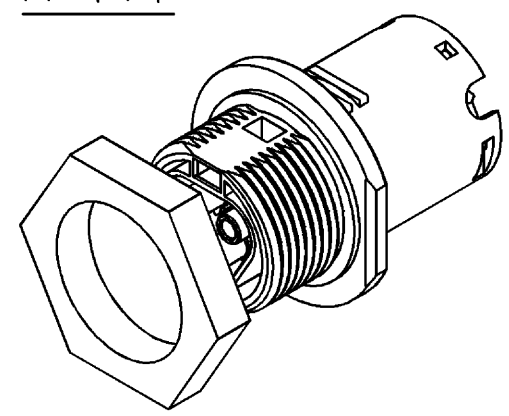
Diese Maße werden bei Abnahme besonders geprüft  
 Ausschließlich Prüfmaße  
 Mit /E gekennzeichnete Maße sind nur für interne Zwecke gültig



housing cutout  
 Gehäuseausschnitt



M 1:1



Verpackungseinheit: je 100 Stk.  
 packaging unit: per 100

Teile-Nr./ part-nr.	Farbe:/ color:	Einz.-Tl.-Nr.: *)/ single-part-nr.:*)
96.031.1053.1	schwarz, ähnl. RAL 9005/ black, similar to RAL 9005	.....1
96.031.1053.0	lichtgrau, ähnl. RAL 7035/ lightgrey, similar to RAL 7035	.....0

Tolerierung nach DIN 7167/Tolerance system acc. to DIN 7167.  
 (This DIN-standard describes the envelope principle. According to the envelope principle the deviations of form and parallelism are limited by the size tolerances).

ja/yes  Stoffverbots- und Deklarationsliste nach UU-TOM-05/03 ist einzuhalten.  
 Conformity with Wieland document UU-TOM-05/03 (list of prohibited / declarable hazardous substances) to be declared!

Freitoleranz nach 16901 Toleranzgruppe 130 CAD - Zeichnung, keine manuellen Änderungen  
 General tolerance CAD - drawing, no manual modifications allowed

1. Verwendung: - Blatt: 1 von 1  
 First Use: Sheet: of

Zeichnung Nr./Drawing No.	Index
T 96.031.1053.0 01K d	

Maße in mm/Dimensions are in mm

Werkstoff/Material	2003	Tag/Date	Name
Werkstoff und Oberfläche: material and surface: Farbe: siehe Tabelle color: look table	gezeichnet drawn geprüft checked Normgepr. Stand. check	21.10.	Kneitz

Maßstab/Scale 2:1

Vol. mm<sup>3</sup> Ofl./Surf. mm<sup>2</sup> Ersatz für/Replacement for: -

Wieland Elektrische Verbindungen

BUCHSENTEIL  
 female connector  
 RST2013 B2 M01V

Änderung/Revision

Weitergabe sowie Vervielfältigung dieses Dokuments, Verwertung und Mitteilung seines Inhalts sind verboten, soweit nicht ausdrücklich gestattet.  
 The reproduction, distribution and utilization of this document as well as the communication of its contents to others without express authorization is prohibited.

960311053001K\_2\_CADW2031\_Ritter 2012-08-14T13:09:27 1.000