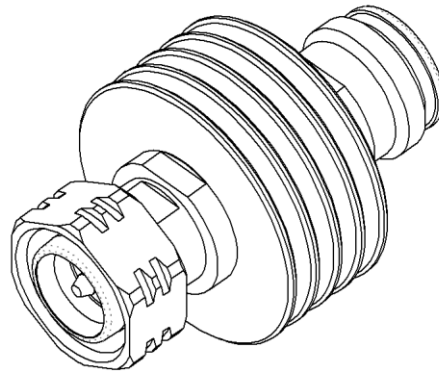
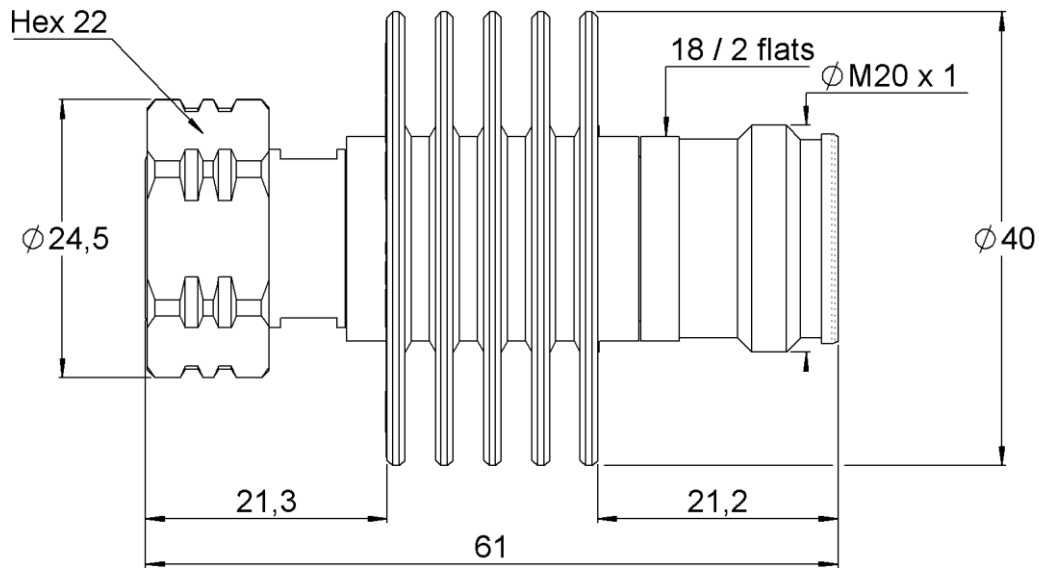


PAGE 1/2	ISSUE 14-02-17B	SERIES <b>ATTENUATOR</b>	PART NUMBER <b>R415620000</b>
----------	-----------------	-----------------------------	-------------------------------



All dimensions are in mm.



COMPONENTS	MATERIALS	PLATING (µm)
Body	<b>BRASS</b>	<b>NICKEL 5</b>
Male center contact	<b>BERYLLIUM COPPER</b>	<b>GOLD 0.5 OVER NICKEL 2</b>
Female center contact	<b>BERYLLIUM COPPER</b>	<b>GOLD 0.5 OVER NICKEL 2</b>
Outer contact	<b>BERYLLIUM COPPER</b>	<b>SILVER 5</b>
Insulator	<b>PTFE</b>	
Gasket	<b>EPDM</b>	
Substrate	<b>ALUMINIUM NITRIDE</b>	
Resistor	<b>THIN FILM</b>	
Others parts	<b>ALUMINIUM</b>	<b>BLACK ANODIZATION</b>

PAGE 2/2	ISSUE <b>14-02-17B</b>	SERIES <b>ATTENUATOR</b>	PART NUMBER <b>R415620000</b>
----------	------------------------	-----------------------------	-------------------------------

**ELECTRICAL CHARACTERISTICS**

Frequency (GHz)	<b>DC - 6</b>
V.S.W.R (≤)	<b>1.15</b>
Deviation(±dB)	<b>0.5</b>

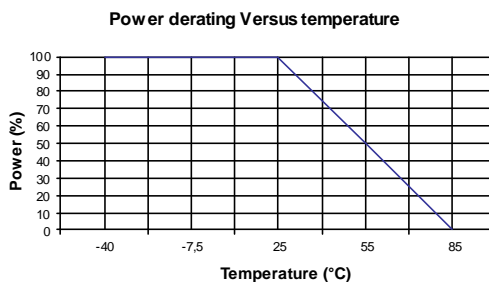
Operating Frequency Range	<b>DC - 6</b>	GHz
Impedance	<b>50</b>	Ω
Nominal Attenuation	<b>20</b>	dB
Peak power at 25°C (1μs, 1%)	<b>250</b>	W
Average power at 25°C	<b>15</b>	W (Free Air Cooled)
		W (Conduction Cooled)

**MECHANICAL CHARACTERISTICS**

Connectors	<b>4.3-10</b>	<b>Male Female</b>	<b>IEC 60169-54</b>
Weight	<b>97,9100</b>	g	

**ENVIRONMENTAL CHARACTERISTICS**

Operating temperature range	<b>-40/+85</b>	°C
Storage temperature range	<b>-40/+85</b>	°C



**SPECIFICATION**

**OTHER CHARACTERISTICS**

**IP 65 when mated with suitable connector**