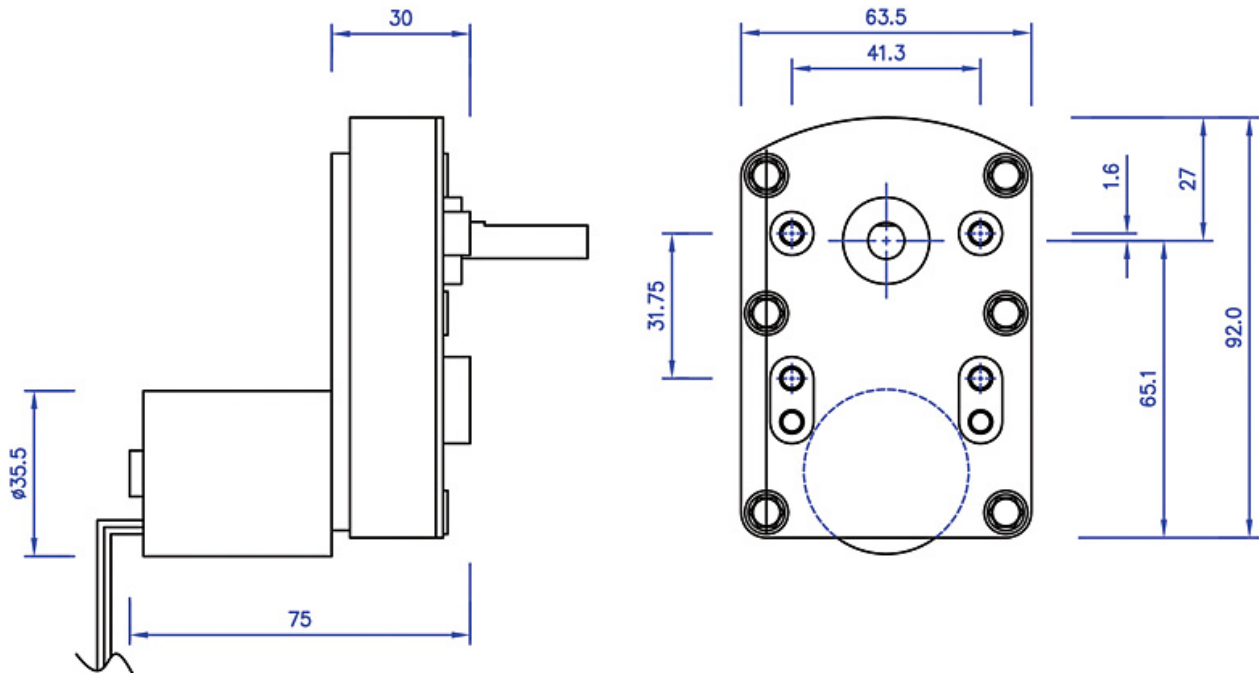




## UBB T6 Series DC Gear Motor Units



The most versatile offering in our range is now available with a brushless DC option that features an inner rotor with integrated electronics for step-less speed control, exceptionally quiet operation and long life.

Available with four different lid options to suit a wide range of mountings in many applications, the versatility of this geared motor combination is equally suited for many applications requiring a low voltage, wide speed range, high efficiency and quiet operation.

Applications include peristaltic pumps, HVAC, valve actuation, animated and point of sale displays, restaurant and catering equipment, scientific and medical applications.

High quality engineering ensures a long life with shaft length and diameter to suit individual customer requirements.

Rated voltage 24VDC

Bi-directional

PWM speed control

Speed signal feedback: six pulses per revolution

Exceptionally low noise levels

Long life

Speed range: 20 - 400rpm

Maximum output torque: 8NM

With all the functionality included into the design of this BLDC gear motor it is versatile yet strong enough to operate in many applications.

