

# DATASHEET - EASY-E4-CONNECT1



**3 x Bus connector plug between base unit and expansion unit/bus module and 3 x end covers, For use with easyE4**



**Part no. EASY-E4-CONNECT1**  
**Catalog No. 197225**

## Delivery program

Description		Replacement parts pack, 3 connecting plugs between base and expansion unit/bus module as well as 3 covers
For use with		easyE4

## Design verification as per IEC/EN 61439

Technical data for design verification		
Operating ambient temperature min.	°C	-25
Operating ambient temperature max.	°C	55
IEC/EN 61439 design verification		
10.2 Strength of materials and parts		
10.2.2 Corrosion resistance		Meets the product standard's requirements.

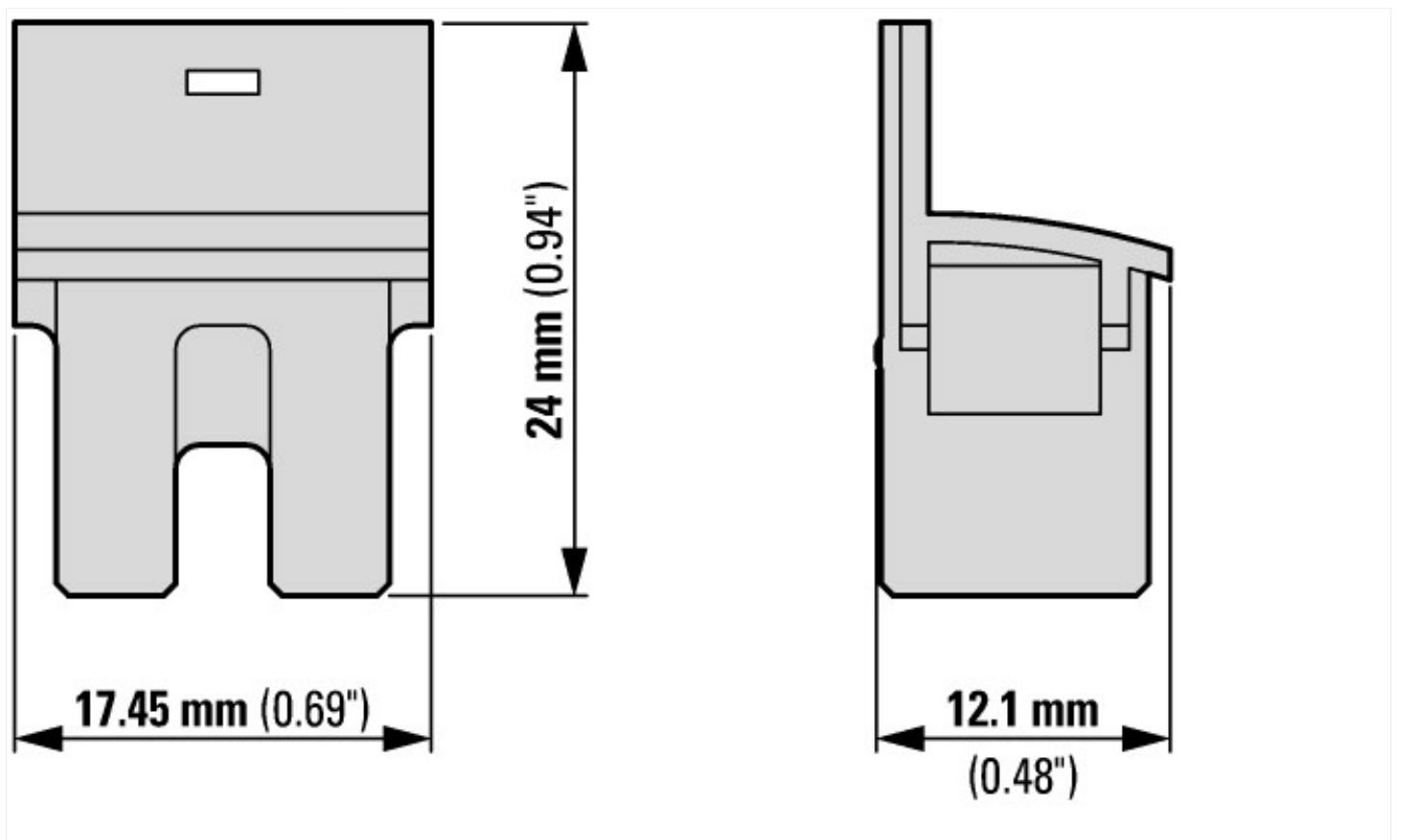
## Technical data ETIM 7.0

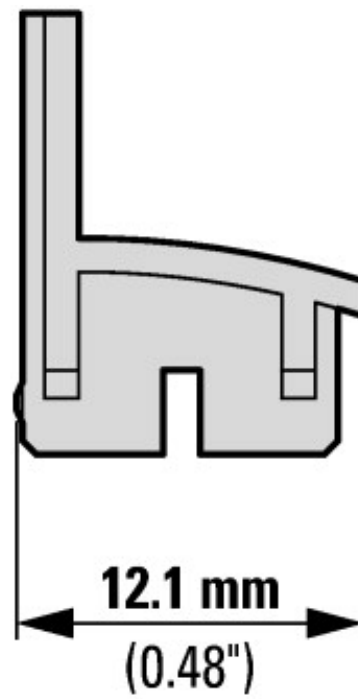
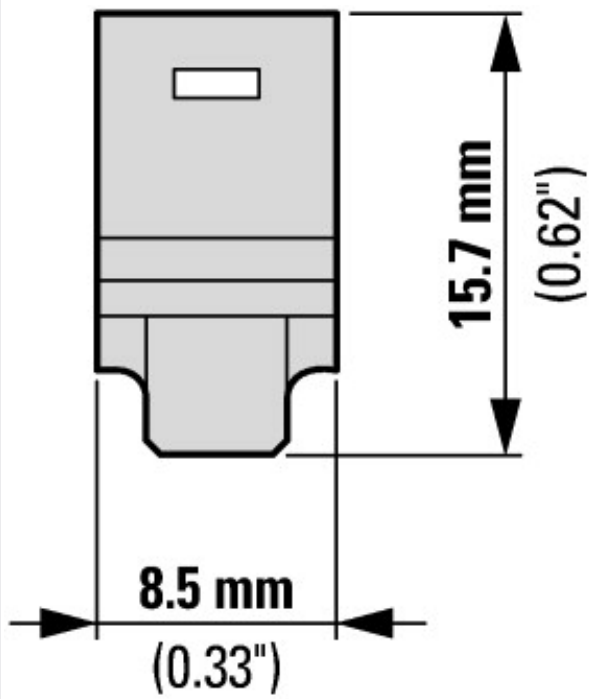
PLC's (EG000024) / Accessories for controls (EC002584)		
Electric engineering, automation, process control engineering / Control / Programmable logic control (SPS) / Programmable logic control (SPS, accessories) (ecl@ss10.0.1-27-24-22-92 [AFR333003])		
Type of electrical accessory		Plug (male connector)
Type of electrical accessory		Plug
Type of mechanical accessory		Other

## Approvals

Degree of Protection		IEC: IP20, UL/CSA Type: -
----------------------	--	---------------------------

## Dimensions





### Assets (links)

[Declaration of CE Conformity](#)

00003147